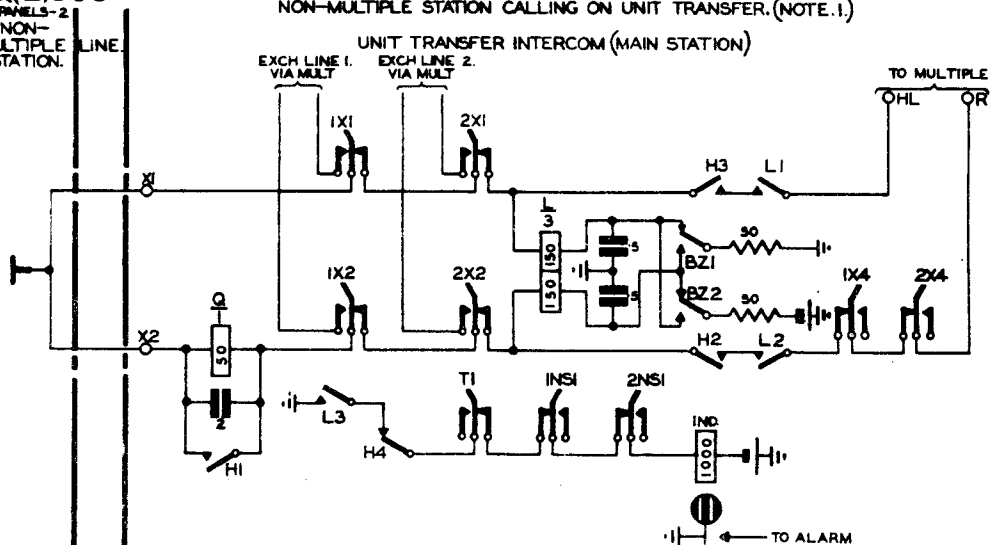


Q(L)306

5 PANELS-2
NON-
MULTIPLE
STATION.

NON-MULTIPLE STATION CALLING ON UNIT TRANSFER. (NOTE.1.)

UNIT TRANSFER INTERCOM (MAIN STATION)



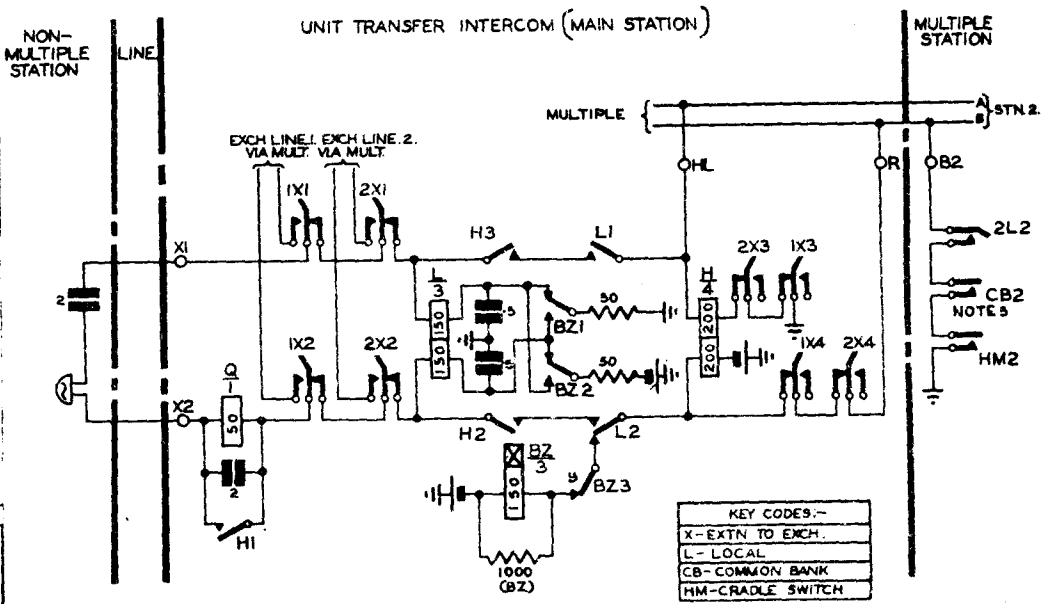
KEY CODES:-
X- EXTN TO EXCH
T- TRANSFER
NS - NIGHT SERVICE

HOUSE EXCHANGE SYSTEM EXPLANATORY ELEMENTS

NON-MULTIPLE STATION (STN 2) BEING CALLED BY MULTIPLE STATION (NOTE 2)

Q(L)306
5 PANELS-8
21-2-53

GENERAL
 PAPER W

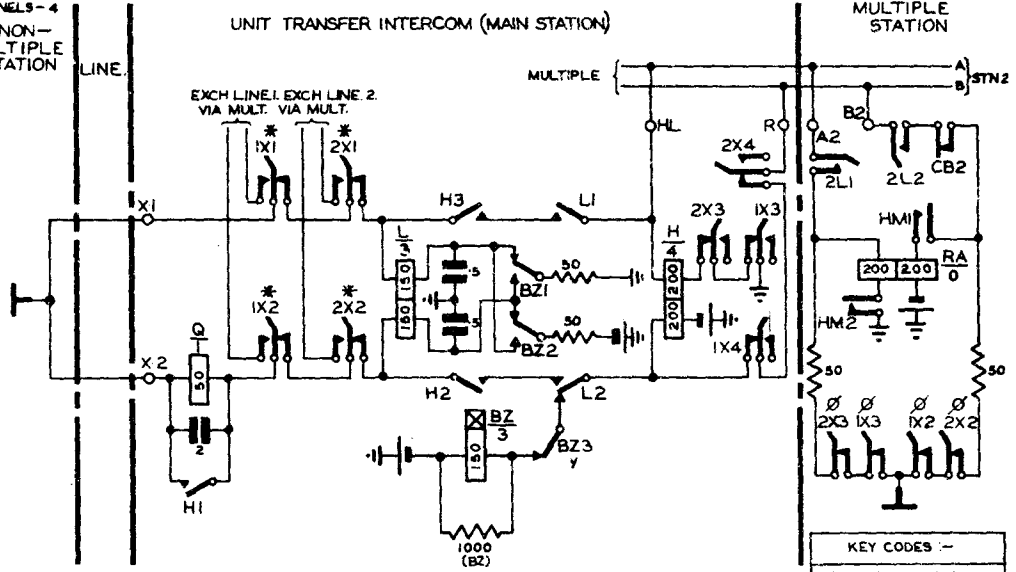


Q(L) 306 NON-MULTIPLE STATION (STN. 2) SPEAKING TO MULTIPLE STATION (NOTE. 3)

3 PANELS - 4
NON-MULTIPLE STATION

UNIT TRANSFER INTERCOM (MAIN STATION)

MULTIPLE STATION



KEY CODES :-

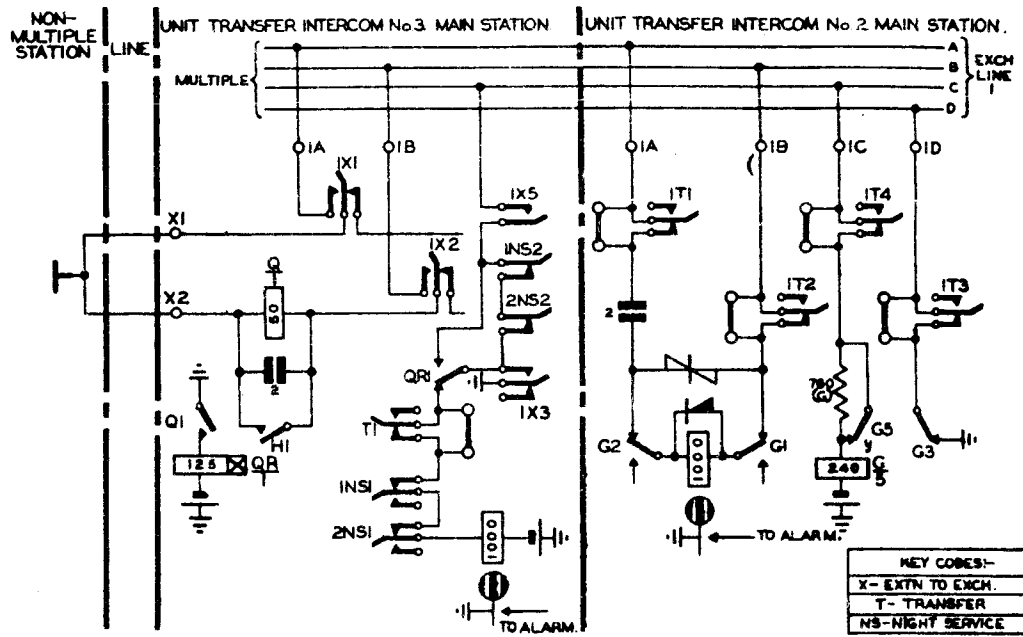
* X - EXTN TO EXCH.
L - LOCAL
CB - COMMON BANK
Ø X - SPEAK EXCHANGE

HOUSE EXCHANGE SYSTEM EXPLANATORY ELEMENTS

Q(L) 306
5 PANELS-3
21-2-53

NON-MULTIPLE STATION CALLING & SPEAKING TO EXCHANGE (NOTE 4.)

GENERAL



KEY CODES:-
X- EXTN TO EXCH.
T- TRANSFER
NS-NIGHT SERVICE

W