

CIRCULATION

GENERAL

# HOUSE EXCHANGE SYSTEM UNIT, TRANSFER, INTERCOM. No. 2 (MK. 1 & 2)

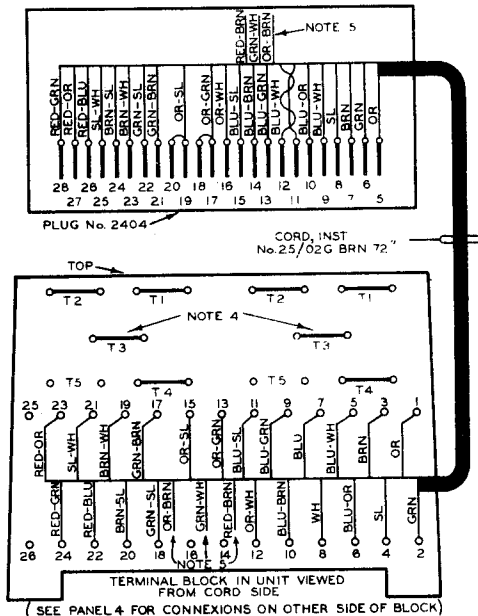
## UNIT TO PLUG WIRING OF MK 2

Q(L) 242  
3 PANELS-1  
4-7-39

	D	C	B	A
PANELS 1 & 2 CANCELLED, PANELS 3, 4 & 5 RENUMBERED 27-5-52	27-5-52			
PANEL 5 REVERSALS CORRECTED GATT. & ETH. TO 2 & 3 NOTE 4 & ADD'D		17 50		
RELAYS G & BRN & BRN-WH. ON G2 & G5			5 11 4 4	
MOD. OF M.A.L. ADDED TO NEW PANEL 5.				11 5 48
SUPERSESSION NOTE & MK. 2 ON NEW PANELS 3 & 4 ADD'D				

AMENDMENT

W



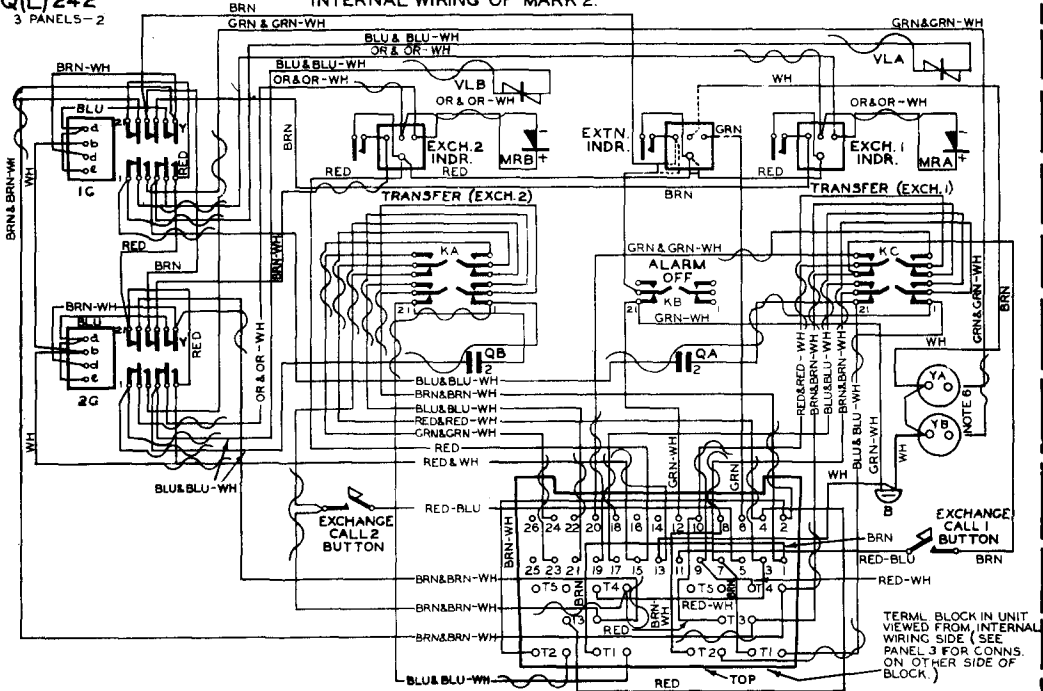
ITEMS	RATE BOOK DESCRIPTION
1G, 2G	RELAYS 8399
EXCH. INDRS. 2	INDICATORS No. 400K
KA	KEY No. 73
KB	KEY No. 68
KC	KEY No. 73
EXCH. CALL KEYS 2	PRESS BUTTONS 'R'
B	BELL No. 56E
MRA } MRB }	RECTIFIER-ELEMENTS 1/6A
QA } QB }	CONDENSERS M.C. No. 102
YA } YB }	RESISTORS, COIL No. 12, 500 Ω
VLA } VLB }	UNIT, VOLTAGE, LIMITING, No. 3A
TO BE REQUISITIONED SEPARATELY IF REQUIRED EXTN. INDR.	
	INDICATOR No. 400K

## NOTES :-

- 1 EXPLANATORY DIAGRAM Q(L) 232
- 2 FOR RELAY ADJUSTMENT. SEE E.T., TELEPHONES, AUTO, B5144
- 3 FOR FACEPLATE EQUIPMENT SEE Q(L) 155
- 4 REMOVE STRAPS T1, T2, T3 & T4 AT FIRST CHOICE MAIN STATION WHEN A SECOND CHOICE MAIN STATION IS FITTED.
- 5 SPARE CONDUCTORS.
- 6 WHEN VISUAL ENGAGED SIGNALS ON THE EXCHANGE LINES ARE REQUIRED CONNECT THE UNTERMINATED WIRES ON RESISTORS 'YA & YB'.

Q(L) 242  
3 PANELS-2

INTERNAL WIRING OF MARK 2.



HOUSE EXCHANGE SYSTEM  
UNIT. TRANSFER, INTERCOM. No.2 (MK.1 & 2)  
INTERNAL WIRING OF MK. 2. (FROM MODIFICATION OF MK.1 IN THE FIELD.)

SUPERSEDED FOR NEW WORK BY PANEL 2

CIRCULATION

GENERAL

AMENDMENT	3-11-45(B)	5-11-45(B)
SUPERSESSION NOTE 3, MK. 2 ON NEW PANELS 3, 4 & 5, 6, 7, 8, 9 & 10.	MOD. OF MK. 1 ADDED TO NEW PANEL 3.	
RELAYS 5 & 8 BRN & BRN WH, ON G2 & G2.	RELAYS 3 & 4 BRN & BRN WH, ON G2 & G2.	
PANELS 3, 4 & 5 CORRECTED BATT. & 5G2	PANELS 3, 4 & 5 CORRECTED BATT. & 5G2	

Y

