

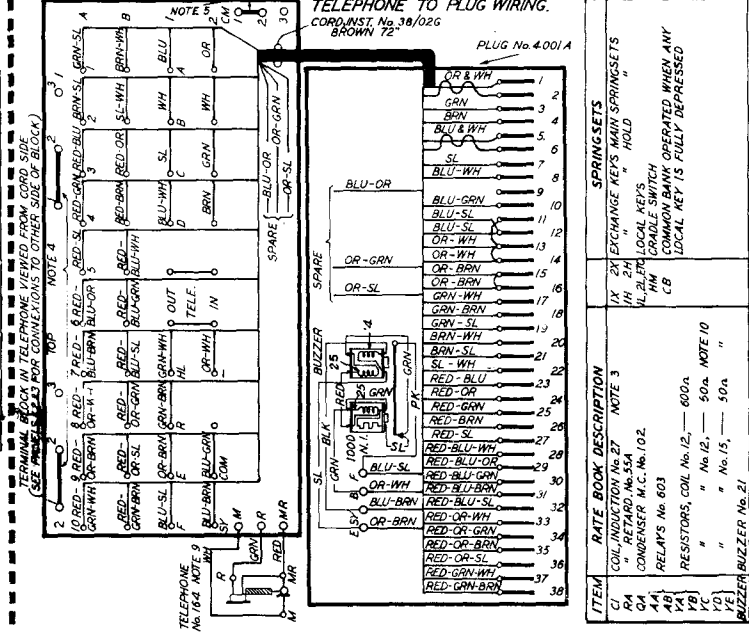
CIRCULATION
GENERAL

MARK 2 ADDED. MADE 4 PANELS. SUPERSESSION NOTE ADDED.	A	26149
MKS 1A & 2A & NOTE 12 ADDED.	B	78750
NOTE 2 AMEND TELE. 12AL MK 3A ADDED.	C	14554
MINOR MODS.	D	27264

W

HOUSE EXCHANGE SYSTEM TELEPHONES INTERCOM. Nos. 1/2 & 1/2A MKS 1 & 1A & 2 & 2A & 1/2AL MKS 2, 2A & 3A

Q(L) 241
4. PANEL
12-7-

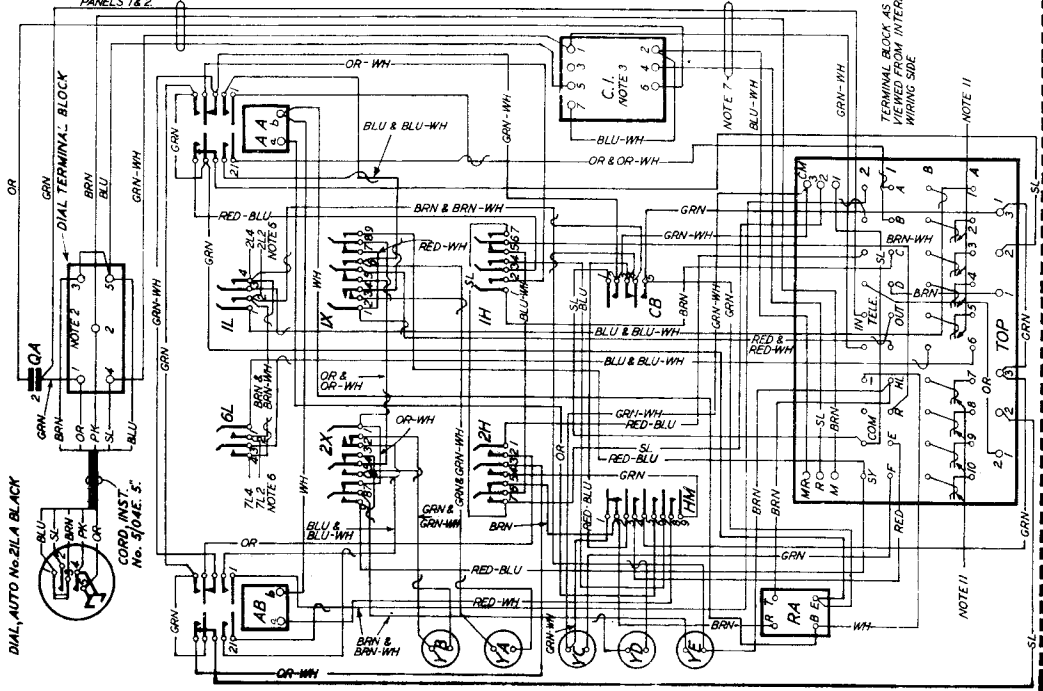


- ITEM RATE BOOK DESCRIPTION
- G1 COIL INDUCTION No. 27 NOTE 3
- R1 " RETARD No. 55A
- O4 CONDENSER M.C. No. 102
- A4 RELAYS No. 603
- V6 " " No. 12, — 600Ω
- V6 " " No. 15, — 50Ω
- YE " " No. 21, — 50Ω
- BUZZER BUZZER No. 21
- NOTES
- FOR EXPLANATORY DIAGRAM SEE Q(L) 231.
 - IN TELES INTERCOM 1/2 AND 1/2A DIAL AUTO NO 21A BLACK AND CORD INST 50AE 5" ARE REPLACED BY DIAL DUMMY AND DS1 IS STRAPPED TO USE ON DIAL TERMINAL BLOCK
 - TELEPHONES OF EARLY MANUFACTURE MAY CONTAIN COIL INDUCTION No. 22 MK 2 OR 22 MK 1. SEE Q(L) 231
 - THE NORMAL POSITION OF THESE STRAPS IS BETWEEN TERMINALS 1 & 2. WHEN EXCHANGE CALL SUPERVISION IS REQUIRED TRANSFER STRAPS TO TERMINALS 2 & 3.
 - IN TELEPHONE INTERCOM No. 1/2A TO ENABLE THE LOCAL STATIONS TO CALL THE MAIN WHEN THE MAIN CALL COMES IN MAIN STATION TELEPHONE ALSO STRAP TAG R TO TAG B (SPARE) OF MAIN STN.
 - LOCAL KEYS No. 2L - SL & 7L - 10L ARE WIRED SIMILARLY TO LOCAL KEYS 1L & 6L.
 - FOR RELAY ADJUSTMENTS SEE E.I. TELEPHONES AUTO. 85154.
 - TELEPHONES INTERCOM. No. 1/2 MKS 2 & 1/2A MKS 2 & 1/2A INCLUDE TELEPHONE No. 164 MK 2
 - RESISTORS VC, V2, V6 FITTED IN TELEPHONES INTERCOM. No. 1/2A MKS 1 & 1A " No. 164 MK 1.
 - BLUE & BLUE-WHITE PAIRS TO LOCAL KEYS 2L-SL & 7L-10L WIRED ON KEYS AS FOR 1L & 6L.
 - TELEPHONES INTERCOM Nos. 1/2 MKS 1A & 2A AND " Nos. 1/2A MKS 1A & 2A ARE FITTED WITH SHROUDED HAND-SET-CRADLE PLUNGERS

Q(L)241

4 PANELS-3 SUPERSEDES PANELS 1 & 2

TELEPHONE, INTERCOM Nos. 1/2A & 1/2AL MKS 2,2A&3A INTERNAL WIRING



TERMINAL BLOCK AS VIEWED FROM INTERNAL WIRING SIDE