

HOUSE EXCHANGE SYSTEM

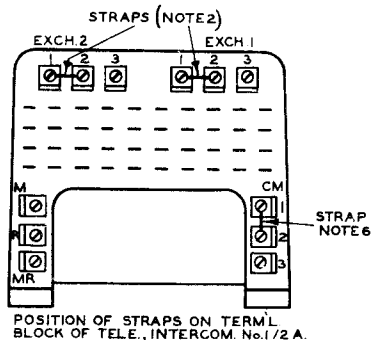
TELEPHONE, INTERCOM. No. 1/2, 1/2A & 1/2AL

NOTES.

Q(L) 231
5 PANELS-1
2-1-36

CIRCULATION	GENERAL
Suffix	H
J	G
14-9-61	28.7.50
NOTE 3 AMEND. TELE 1/2AL MK 3A ADDED. MKS 1A, 2A & 2A & NOTE 9 ADDED. RELAY & KEY CONTACT SPRING NOS. ADDED. DIAL & DIAL BLOCK TERMINAL NOS. RE-DESIGNATED.	15.6.49
Amend.	G
PAPER	W

1. COMMON BANK CONTACTS ARE OPERATED IN RINGING POSITION OF LOCAL KEY. I.E. WHEN LOCAL KEY IS FULLY DEPRESSED.
2. WHEN EXCHANGE LINE SUPERVISION IS REQUIRED REMOVE STRAPS 1-2 & CONNECT STRAPS 2-3.
3. IN TELES INTERCOM 1/2 & 1/2A DIAL AUTO No. 21 LA BLACK AND CORD INST 5/04E 5" ARE REPLACED BY DIAL DUMMY. DS1 AND DS2 ARE STRAPPED.
4. EARLY ISSUES OF TELEPHONE, INTERCOM. No. 2 WERE FITTED WITH COIL, INDUCTION No. 22 MK. 1. TELEPHONE, INTERCOM. No. 1/2A MK. 1 WAS FITTED WITH COIL, INDUCTION No. 22 MK. 2.
5. ADJUSTMENT DETAILS FOR RELAY No. 603 ARE GIVEN IN E. I. TELEPHONES AUTO. B. 5154.
6. WHERE LOCAL STATIONS DESIRE TO CALL THE MAIN STATION WHEN THE LATTER IS HOLDING AN EXCHANGE CALL FIT TELEPHONES, INTERCOM. No. 1/2A MK2 OR MK2A ON MAIN STATION, OMIT STRAP CM1 TO CM2 AND CONNECT STRAP CM2 TO CM3 AND STRAP TAG R TO TAG B OF MAIN STN (IF SPARE)
7. RESISTORS YC, YD, & YE NOT FITTED ON TELEPHONES, INTERCOM. No. 1/2A MK. 1 & 1A.



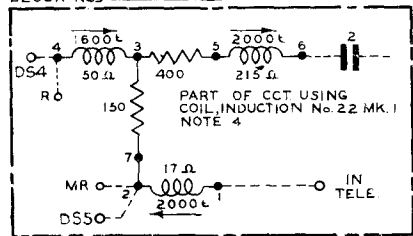
Q (L) 231

5 PANELS - 2
SUPERSEDED BY PANEL 4

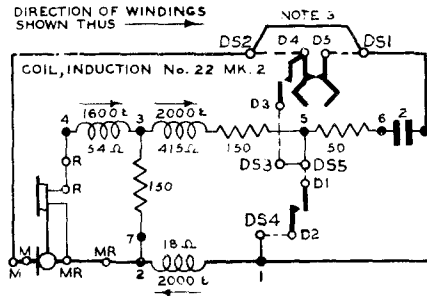
PLUG TERMINAL Nos
SEE Q (L) 202

TELEPHONE TERMINAL
BLOCK Nos

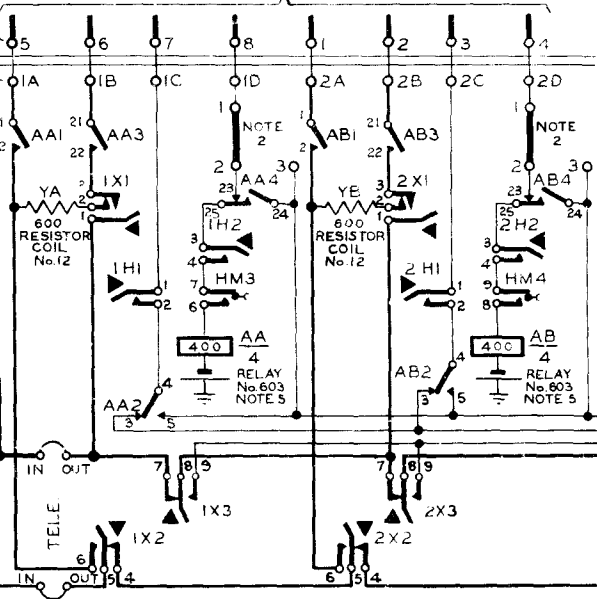
CORD, INST No. 38/02G
BRN, 72"



DIRECTION OF WINDINGS
SHOWN THUS



TO JUNCTION BOX



HOUSE EXCHANGE SYSTEM

TELEPHONE, INTERCOM. No 1/2 (MARKS 1, 1A, 2 & 2A)

Q (L) 231

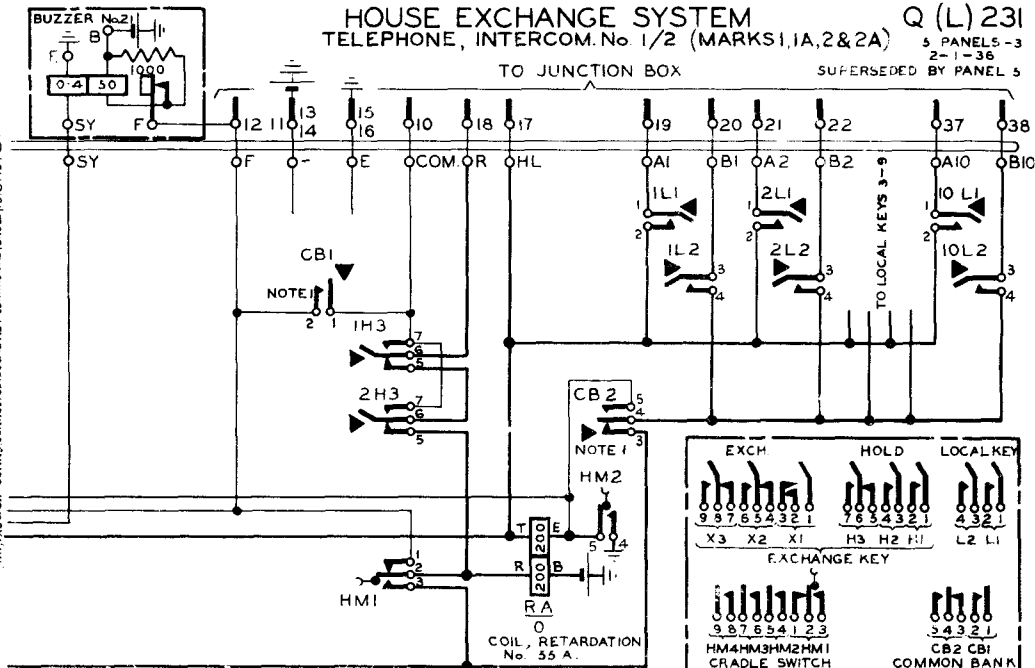
5 PANELS - 3

2-1-36

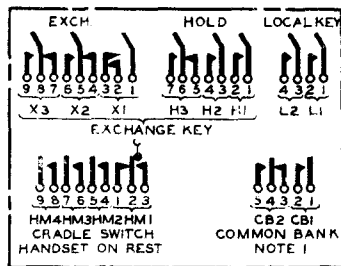
SUPERSEDED BY PANEL 5

GENERAL

NOTE 3 AMEND. TELE 1/2AL, MK 3A ADDED
 MKS 1A & 2A & NOTE 9 ADDED RELAY & KEY CONTACT SPRING NOS. 18, 7, 50, 14
 ADDED DIAL & DIAL LOCK TERMIN. NOS. RE-DENIGATED
 (X1, X3 & 2X) CONNS CORRECTED. LOCAL KEY COMMON REVERSED (S. G. 49) (G)



Y



COIL, RETARDATION
 No 55 A.

Q (L) 231

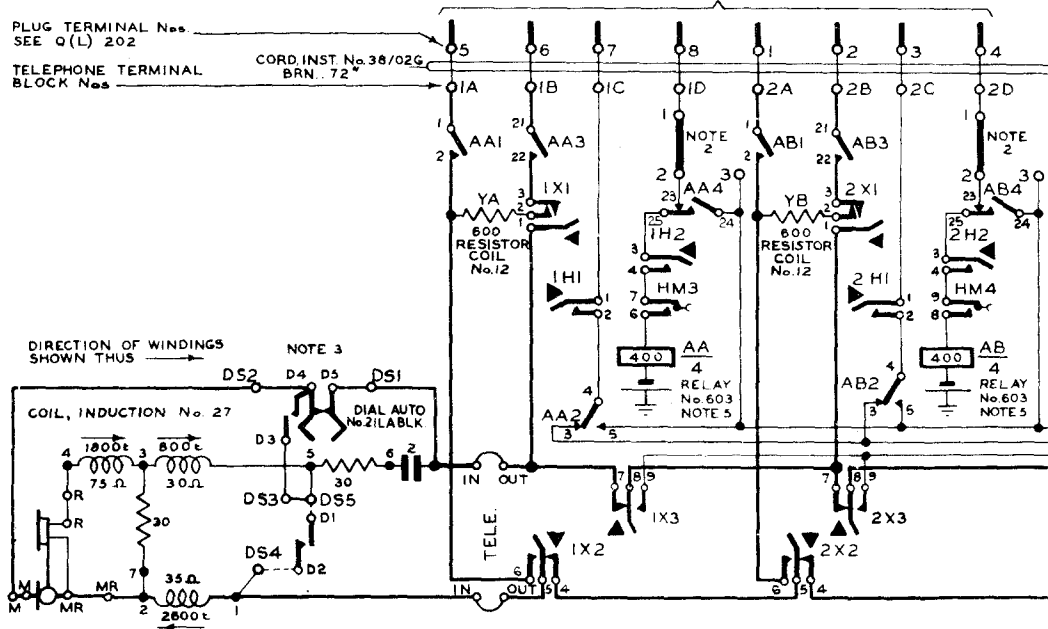
5 PANELS - 4
SUPERSEDES PANEL 2

PLUG TERMINAL Nos.
SEE Q(L) 202

TELEPHONE TERMINAL
BLOCK Nos.

CORD. INST. No. 38/02G
BRN. 72

TO JUNCTION BOX



HOUSE EXCHANGE SYSTEM

TELEPHONE INTERCOM. No. 1/2A & 1/2AL (MARKS 1A, 2A & 3A) Q (L) 231

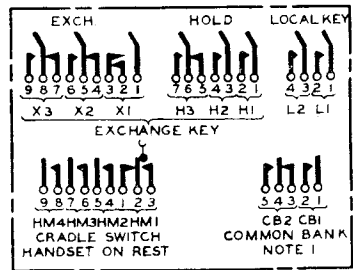
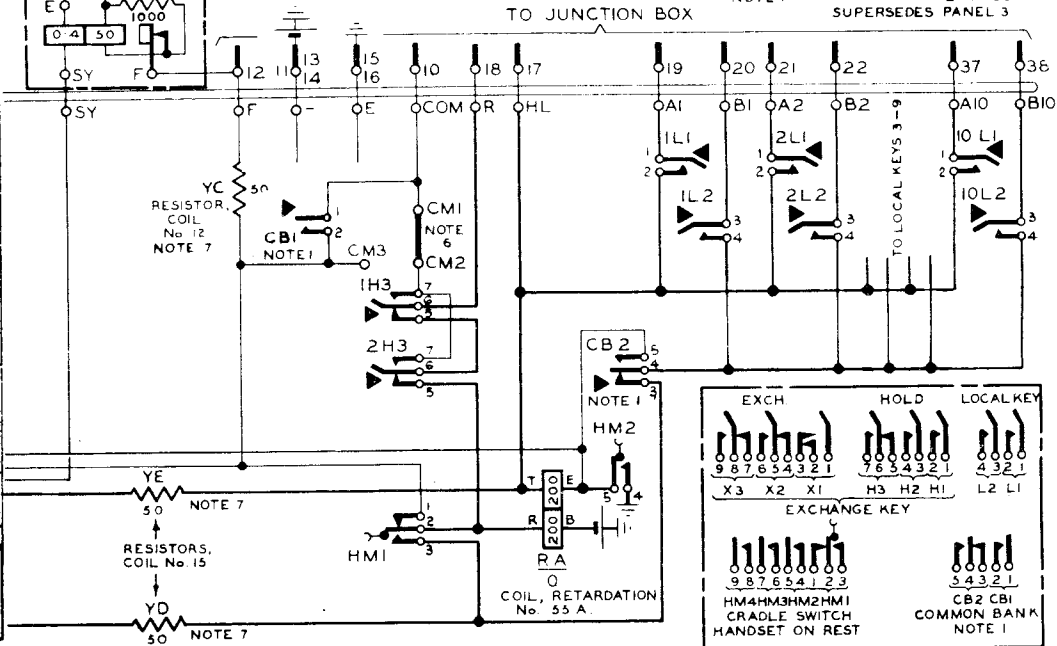
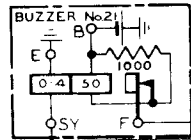
5 PANELS - 5
2-1-36
NOTE 7
SUPERSEDES PANEL 3

CIRCULATION
GENERAL

Suffix
14 8 C I J
20 7 50 H
15 6 19 G

Amend.
PAPER
W

NOTE 3 AMEND TELE 1/2AL MK 3A ADDED
MARKS 1A & 2A & NOTE 9 ADDED RELAY KEY CONTACT SPRG.
NO 3 ADDED DIAL & DIAL BLOCK TERMINALS REDESIGNATED
DIALS 1, 2 & 3 & 21 CONNS. CORRECTED LOCAL KEY COMMON REVERSE



NOTE 1
NOTE 6
NOTE 7

NOTE 1
NOTE 1