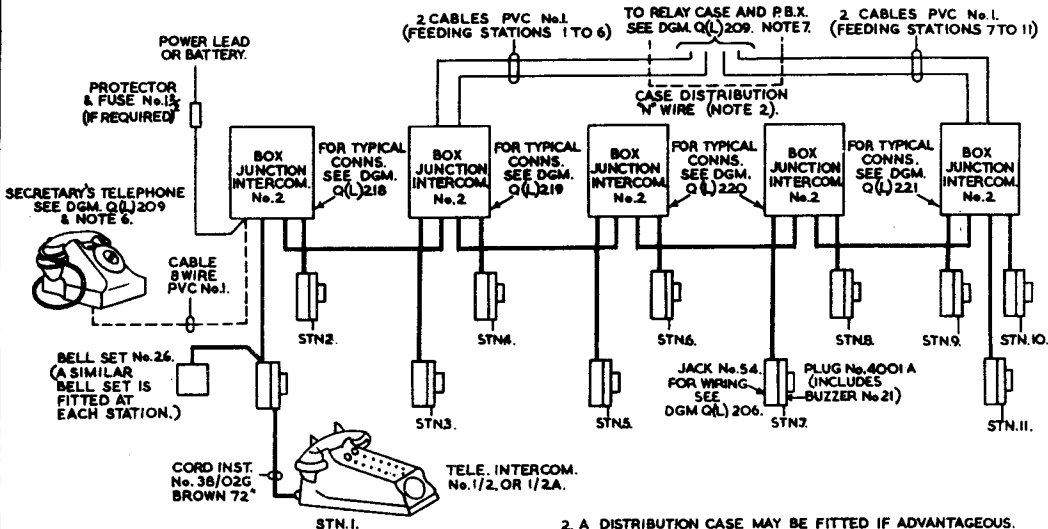


HOUSE EXCH. FACILITIES BETWEEN P.B.X. EXTNS. 2+10 SYSTEM. Q(L)210

TYPICAL SCHEMATIC LAYOUT.

5-5-39.

CIRCULATOR	GENERAL.
PAPER	Suffix
Amend.	11-9-48 A 11-10-48 B 11-10-48 C 11-10-48 D 11-10-48 E 11-10-48 F 11-10-48 G 11-10-48 H 11-10-48 I 11-10-48 J 11-10-48 K 11-10-48 L 11-10-48 M 11-10-48 N 11-10-48 O 11-10-48 P 11-10-48 Q 11-10-48 R 11-10-48 S 11-10-48 T 11-10-48 U 11-10-48 V 11-10-48 W 11-10-48 X 11-10-48 Y 11-10-48 Z 11-10-48 AA 11-10-48 AB 11-10-48 AC 11-10-48 AD 11-10-48 AE 11-10-48 AF 11-10-48 AG 11-10-48 AH 11-10-48 AI 11-10-48 AJ 11-10-48 AK 11-10-48 AL 11-10-48 AM 11-10-48 AN 11-10-48 AO 11-10-48 AP 11-10-48 AQ 11-10-48 AR 11-10-48 AS 11-10-48 AT 11-10-48 AU 11-10-48 AV 11-10-48 AW 11-10-48 AX 11-10-48 AY 11-10-48 AZ 11-10-48 BA 11-10-48 BB 11-10-48 BC 11-10-48 BD 11-10-48 BE 11-10-48 BF 11-10-48 BG 11-10-48 BH 11-10-48 BI 11-10-48 BJ 11-10-48 BK 11-10-48 BL 11-10-48 BM 11-10-48 BN 11-10-48 BO 11-10-48 BP 11-10-48 BQ 11-10-48 BR 11-10-48 BS 11-10-48 BT 11-10-48 BU 11-10-48 BV 11-10-48 BW 11-10-48 BX 11-10-48 BY 11-10-48 BZ 11-10-48 CA 11-10-48 CB 11-10-48 CC 11-10-48 CD 11-10-48 CE 11-10-48 CF 11-10-48 CG 11-10-48 CH 11-10-48 CI 11-10-48 CJ 11-10-48 CK 11-10-48 CL 11-10-48 CM 11-10-48 CN 11-10-48 CO 11-10-48 CP 11-10-48 CQ 11-10-48 CR 11-10-48 CS 11-10-48 CT 11-10-48 CU 11-10-48 CV 11-10-48 CW 11-10-48 CX 11-10-48 CY 11-10-48 CZ 11-10-48 DA 11-10-48 DB 11-10-48 DC 11-10-48 DD 11-10-48 DE 11-10-48 DF 11-10-48 DG 11-10-48 DH 11-10-48 DI 11-10-48 DJ 11-10-48 DK 11-10-48 DL 11-10-48 DM 11-10-48 DN 11-10-48 DO 11-10-48 DP 11-10-48 DQ 11-10-48 DR 11-10-48 DS 11-10-48 DT 11-10-48 DU 11-10-48 DV 11-10-48 DW 11-10-48 DX 11-10-48 DY 11-10-48 DZ 11-10-48 EA 11-10-48 EB 11-10-48 EC 11-10-48 ED 11-10-48 EE 11-10-48 EF 11-10-48 EG 11-10-48 EH 11-10-48 EI 11-10-48 EJ 11-10-48 EK 11-10-48 EL 11-10-48 EM 11-10-48 EN 11-10-48 EO 11-10-48 EP 11-10-48 EQ 11-10-48 ER 11-10-48 ES 11-10-48 ET 11-10-48 EU 11-10-48 EV 11-10-48 EW 11-10-48 EX 11-10-48 EY 11-10-48 EZ 11-10-48 FA 11-10-48 FB 11-10-48 FC 11-10-48 FD 11-10-48 FE 11-10-48 FF 11-10-48 FG 11-10-48 FH 11-10-48 FI 11-10-48 FJ 11-10-48 FK 11-10-48 FL 11-10-48 FM 11-10-48 FN 11-10-48 FO 11-10-48 FP 11-10-48 FQ 11-10-48 FR 11-10-48 FS 11-10-48 FT 11-10-48 FU 11-10-48 FV 11-10-48 FW 11-10-48 FX 11-10-48 FY 11-10-48 FZ 11-10-48 GA 11-10-48 GB 11-10-48 GC 11-10-48 GD 11-10-48 GE 11-10-48 GF 11-10-48 GG 11-10-48 GH 11-10-48 GI 11-10-48 GJ 11-10-48 GK 11-10-48 GL 11-10-48 GM 11-10-48 GN 11-10-48 GO 11-10-48 GP 11-10-48 GQ 11-10-48 GR 11-10-48 GS 11-10-48 GT 11-10-48 GU 11-10-48 GV 11-10-48 GW 11-10-48 GX 11-10-48 GY 11-10-48 GZ 11-10-48 HA 11-10-48 HB 11-10-48 HC 11-10-48 HD 11-10-48 HE 11-10-48 HF 11-10-48 HG 11-10-48 HH 11-10-48 HI 11-10-48 HJ 11-10-48 HK 11-10-48 HL 11-10-48 HM 11-10-48 HN 11-10-48 HO 11-10-48 HP 11-10-48 HQ 11-10-48 HR 11-10-48 HS 11-10-48 HT 11-10-48 HU 11-10-48 HV 11-10-48 HW 11-10-48 HX 11-10-48 HY 11-10-48 HZ 11-10-48 IA 11-10-48 IB 11-10-48 IC 11-10-48 ID 11-10-48 IE 11-10-48 IF 11-10-48 IG 11-10-48 IH 11-10-48 II 11-10-48 IJ 11-10-48 IK 11-10-48 IL 11-10-48 IM 11-10-48 IN 11-10-48 IO 11-10-48 IP 11-10-48 IQ 11-10-48 IR 11-10-48 IS 11-10-48 IT 11-10-48 IU 11-10-48 IV 11-10-48 IW 11-10-48 IX 11-10-48 IY 11-10-48 IZ 11-10-48 JA 11-10-48 JB 11-10-48 JC 11-10-48 JD 11-10-48 JE 11-10-48 JF 11-10-48 JG 11-10-48 JH 11-10-48 JI 11-10-48 JJ 11-10-48 JK 11-10-48 JL 11-10-48 JM 11-10-48 JN 11-10-48 JO 11-10-48 JP 11-10-48 JQ 11-10-48 JR 11-10-48 JS 11-10-48 JT 11-10-48 JU 11-10-48 JV 11-10-48 JW 11-10-48 JX 11-10-48 JY 11-10-48 JZ 11-10-48 KA 11-10-48 KB 11-10-48 KC 11-10-48 KD 11-10-48 KE 11-10-48 KF 11-10-48 KG 11-10-48 KH 11-10-48 KI 11-10-48 KJ 11-10-48 KK 11-10-48 KL 11-10-48 KM 11-10-48 KN 11-10-48 KO 11-10-48 KP 11-10-48 KQ 11-10-48 KR 11-10-48 KS 11-10-48 KT 11-10-48 KU 11-10-48 KV 11-10-48 KW 11-10-48 KX 11-10-48 KY 11-10-48 KZ 11-10-48 LA 11-10-48 LB 11-10-48 LC 11-10-48 LD 11-10-48 LE 11-10-48 LF 11-10-48 LG 11-10-48 LH 11-10-48 LI 11-10-48 LJ 11-10-48 LK 11-10-48 LL 11-10-48 LM 11-10-48 LN 11-10-48 LO 11-10-48 LP 11-10-48 LQ 11-10-48 LR 11-10-48 LS 11-10-48 LT 11-10-48 LU 11-10-48 LV 11-10-48 LW 11-10-48 LX 11-10-48 LY 11-10-48 LZ 11-10-48 MA 11-10-48 MB 11-10-48 MC 11-10-48 MD 11-10-48 ME 11-10-48 MF 11-10-48 MG 11-10-48 MH 11-10-48 MI 11-10-48 MJ 11-10-48 MK 11-10-48 ML 11-10-48 MM 11-10-48 MN 11-10-48 MO 11-10-48 MP 11-10-48 MQ 11-10-48 MR 11-10-48 MS 11-10-48 MT 11-10-48 MU 11-10-48 MV 11-10-48 MW 11-10-48 MX 11-10-48 MY 11-10-48 MZ 11-10-48 NA 11-10-48 NB 11-10-48 NC 11-10-48 ND 11-10-48 NE 11-10-48 NF 11-10-48 NG 11-10-48 NH 11-10-48 NI 11-10-48 NJ 11-10-48 NK 11-10-48 NL 11-10-48 NM 11-10-48 NN 11-10-48 NO 11-10-48 NP 11-10-48 NQ 11-10-48 NR 11-10-48 NS 11-10-48 NT 11-10-48 NU 11-10-48 NV 11-10-48 NW 11-10-48 NX 11-10-48 NY 11-10-48 NZ 11-10-48 OA 11-10-48 OB 11-10-48 OC 11-10-48 OD 11-10-48 OE 11-10-48 OF 11-10-48 OG 11-10-48 OH 11-10-48 OI 11-10-48 OJ 11-10-48 OK 11-10-48 OL 11-10-48 OM 11-10-48 ON 11-10-48 OO 11-10-48 OP 11-10-48 OQ 11-10-48 OR 11-10-48 OS 11-10-48 OT 11-10-48 OU 11-10-48 OV 11-10-48 OW 11-10-48 OX 11-10-48 OY 11-10-48 OZ 11-10-48 PA 11-10-48 PB 11-10-48 PC 11-10-48 PD 11-10-48 PE 11-10-48 PF 11-10-48 PG 11-10-48 PH 11-10-48 PI 11-10-48 PJ 11-10-48 PK 11-10-48 PL 11-10-48 PM 11-10-48 PN 11-10-48 PO 11-10-48 PP 11-10-48 PQ 11-10-48 PR 11-10-48 PS 11-10-48 PT 11-10-48 PU 11-10-48 PV 11-10-48 PW 11-10-48 PX 11-10-48 PY 11-10-48 PZ 11-10-48 QA 11-10-48 QB 11-10-48 QC 11-10-48 QD 11-10-48 QE 11-10-48 QF 11-10-48 QG 11-10-48 QH 11-10-48 QI 11-10-48 QJ 11-10-48 QK 11-10-48 QL 11-10-48 QM 11-10-48 QN 11-10-48 QO 11-10-48 QP 11-10-48 QQ 11-10-48 QR 11-10-48 QS 11-10-48 QT 11-10-48 QU 11-10-48 QV 11-10-48 QW 11-10-48 QX 11-10-48 QY 11-10-48 QZ 11-10-48 RA 11-10-48 RB 11-10-48 RC 11-10-48 RD 11-10-48 RE 11-10-48 RF 11-10-48 RG 11-10-48 RH 11-10-48 RI 11-10-48 RJ 11-10-48 RK 11-10-48 RL 11-10-48 RM 11-10-48 RN 11-10-48 RO 11-10-48 RP 11-10-48 RQ 11-10-48 RR 11-10-48 RS 11-10-48 RT 11-10-48 RU 11-10-48 RV 11-10-48 RW 11-10-48 RX 11-10-48 RY 11-10-48 RZ 11-10-48 SA 11-10-48 SB 11-10-48 SC 11-10-48 SD 11-10-48 SE 11-10-48 SF 11-10-48 SG 11-10-48 SH 11-10-48 SI 11-10-48 SJ 11-10-48 SK 11-10-48 SL 11-10-48 SM 11-10-48 SN 11-10-48 SO 11-10-48 SP 11-10-48 SQ 11-10-48 SR 11-10-48 SS 11-10-48 ST 11-10-48 SU 11-10-48 SV 11-10-48 SW 11-10-48 SX 11-10-48 SY 11-10-48 SZ 11-10-48 TA 11-10-48 TB 11-10-48 TC 11-10-48 TD 11-10-48 TE 11-10-48 TF 11-10-48 TG 11-10-48 TH 11-10-48 TI 11-10-48 TJ 11-10-48 TK 11-10-48 TL 11-10-48 TM 11-10-48 TN 11-10-48 TO 11-10-48 TP 11-10-48 TQ 11-10-48 TR 11-10-48 TS 11-10-48 TT 11-10-48 TU 11-10-48 TV 11-10-48 TW 11-10-48 TX 11-10-48 TY 11-10-48 TZ 11-10-48 UA 11-10-48 UB 11-10-48 UC 11-10-48 UD 11-10-48 UE 11-10-48 UF 11-10-48 UG 11-10-48 UH 11-10-48 UI 11-10-48 UJ 11-10-48 UK 11-10-48 UL 11-10-48 UM 11-10-48 UN 11-10-48 UO 11-10-48 UP 11-10-48 UQ 11-10-48 UR 11-10-48 US 11-10-48 UT 11-10-48 UY 11-10-48 UZ 11-10-48 VA 11-10-48 VB 11-10-48 VC 11-10-48 VD 11-10-48 VE 11-10-48 VF 11-10-48 VG 11-10-48 VH 11-10-48 VI 11-10-48 VJ 11-10-48 VK 11-10-48 VL 11-10-48 VM 11-10-48 VN 11-10-48 VO 11-10-48 VP 11-10-48 VQ 11-10-48 VR 11-10-48 VS 11-10-48 VT 11-10-48 VU 11-10-48 VV 11-10-48 VW 11-10-48 VX 11-10-48 VY 11-10-48 VZ 11-10-48 WA 11-10-48 WB 11-10-48 WC 11-10-48 WD 11-10-48 WE 11-10-48 WF 11-10-48 WG 11-10-48 WH 11-10-48 WI 11-10-48 WJ 11-10-48 WK 11-10-48 WL 11-10-48 WM 11-10-48 WN 11-10-48 WO 11-10-48 WP 11-10-48 WQ 11-10-48 WR 11-10-48 WS 11-10-48 WT 11-10-48 WU 11-10-48 WV 11-10-48 WW 11-10-48 WX 11-10-48 WY 11-10-48 WZ 11-10-48 XA 11-10-48 XB 11-10-48 XC 11-10-48 XD 11-10-48 XE 11-10-48 XF 11-10-48 XG 11-10-48 XH 11-10-48 XI 11-10-48 XJ 11-10-48 XK 11-10-48 XL 11-10-48 XM 11-10-48 XN 11-10-48 XO 11-10-48 XP 11-10-48 XQ 11-10-48 XR 11-10-48 XS 11-10-48 XT 11-10-48 XU 11-10-48 XV 11-10-48 XW 11-10-48 XX 11-10-48 XY 11-10-48 XZ 11-10-48 YA 11-10-48 YB 11-10-48 YC 11-10-48 YD 11-10-48 YE 11-10-48 YF 11-10-48 YG 11-10-48 YH 11-10-48 YI 11-10-48 YJ 11-10-48 YK 11-10-48 YL 11-10-48 YM 11-10-48 YN 11-10-48 YO 11-10-48 YP 11-10-48 YQ 11-10-48 YR 11-10-48 YS 11-10-48 YT 11-10-48 YU 11-10-48 YV 11-10-48 YW 11-10-48 YX 11-10-48 YY 11-10-48 YZ 11-10-48 ZA 11-10-48 ZB 11-10-48 ZC 11-10-48 ZD 11-10-48 ZE 11-10-48 ZF 11-10-48 ZG 11-10-48 ZH 11-10-48 ZI 11-10-48 ZJ 11-10-48 ZK 11-10-48 ZL 11-10-48 ZM 11-10-48 ZN 11-10-48 ZO 11-10-48 ZP 11-10-48 ZQ 11-10-48 ZR 11-10-48 ZS 11-10-48 ZT 11-10-48 ZU 11-10-48 ZV 11-10-48 ZW 11-10-48 ZX 11-10-48 ZY 11-10-48 ZZ



NOTES:-

- THIS DIAGRAM & DIAGRAMS Q(L)218-221 SHOW AN ECONOMICAL SCHEME UTILISING SPARE WIRES IN THE MULTIPLE CABLE TO CONCENTRATE THE P.B.X. CIRCUITS & SO ALLOW SHORTER RUNS & LARGER CABLES BETWEEN HOUSE EXCHANGE SYSTEM & P.B.X. A COMBINATION OF THIS METHOD & THAT OF FEEDING THE A.B.C. CLC2 CIRCUITS DIRECT BETWEEN EACH JUNCTION BOX & THE P.B.X. MAY BE ADOPTED IF MORE SUITED TO THE LAYOUT IN PARTICULAR CASES.

- A DISTRIBUTION CASE MAY BE FITTED IF ADVANTAGEOUS.
- THE MULTIPLE CABLE SHOULD BE TERMINATED ON THE CENTRE TERMINAL STRIPS OF THE JUNCTION BOXES.
- PLUG POINT CONNECTIONS ARE SHOWN ON DIAGRAM Q(L)152.
- ALL CABLES TO BE CABLE, PVC No. 1. 41 WIRE EXCEPT WHERE SHOWN OTHERWISE.
- THE SECRETARY'S TELEPHONE (PLAN EXTN) MAY BE ASSOCIATED WITH ANY STATION AND MAY ALTERNATIVELY BE WIRED TO THE INSTRUMENT JACK IF ADVANTAGEOUS.
- RELAY CASE ONLY FITTED WHEN SECRETARY AGAINST A PLAN EXTN (SECRETARY'S TELEPHONE IS REQUIRED).