

# HOUSE EXCHANGE FACILITIES BETWEEN P.B.X. EXTENSIONS 2+10 SYSTEM. PLAN EXTENSION INSTRUMENT (FOR P.B.X. CALLS ONLY) OFF H.E. INST. WIRING DIAGRAM.

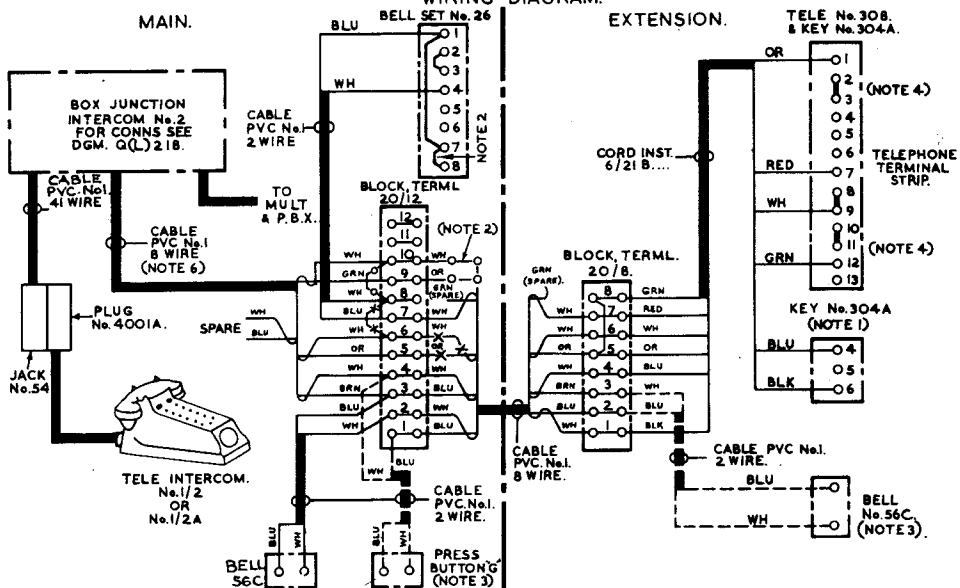
**Q(L)209**

4 PANELS-1  
13-10-58  
SUPERSEDES Q(L)161  
FOR NEW WORK.

GENERAL

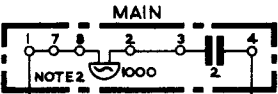
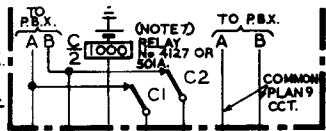
NOTE 2 AMENDED REVERSED TERMS.189 IN TELE.No.30816-11-61 A

W



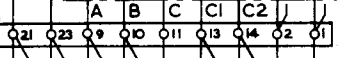
**Q(L)209.**  
4 PANELS-2.

RELAY CASE OR P.B.X. NOTE 8

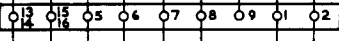


BELL-SET No.26.

PART OF PLAN EXTN. OR INST. STRIP OF JUNCTION BOX FOR FULL CONNS. SEE DGM. Q(L)218.



PART OF PLUG No. 4001A AND JACK No. 54 FOR FULL CONNS. SEE DGM. Q L 206



BT20/12

BT12

BT11

BT10 (NOTE 2).

BT9

BT8

BT7

BT6

BT5

BT4

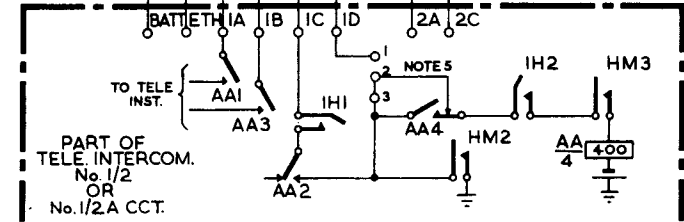
BT3

BT2

BT1

BELL 56C

PRESS BUTTON 'G' (NOTE 3).



PART OF TELE. INTERCOM. No. 1/2 OR No. 1/2A CCT.