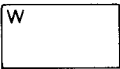
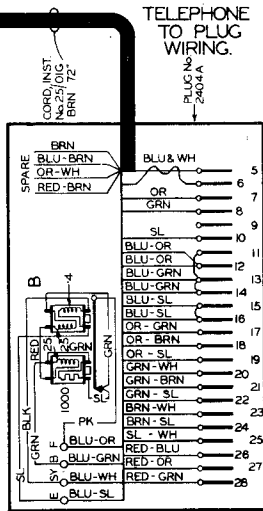
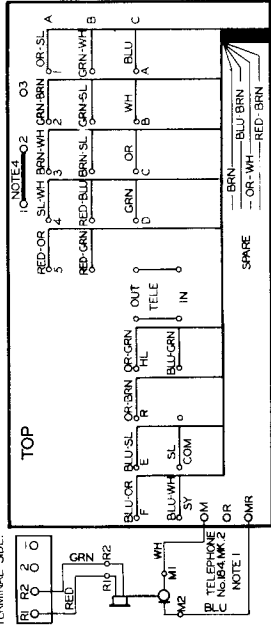


HOUSE EXCHANGE SYSTEM (WITH HEARING AID) TELEPHONE, INTERCOM. No.1/IB MK.2

FOR USE WITH REPEATER
TELEPHONIC No.17C.



SUBSIDIARY TERMINAL STRIP
TERMINAL SIDE.
(SEE PANEL I FOR CONNECTIONS ON OTHER SIDE OF BLOCK.)



ITEM	RATE BOOK DESCRIPTION	SPRINGSETS
AA	RELAY No. 603	EXCHANGE KEY MAIN SPRINGSET " 1
RA	COIL-RETARD No. 55A	" LOCAL KEY " HOLD
C1	COIL-INDUCTION No. 27	" 1ST. LOCAL KEY " HOLD
GA	CONDENSER MC No. 102	COMMON BANK - OPERATED WHEN ANY LOCAL KEY IS FULLY DEPRESSED.
YB	RESISTOR, CARBON, 1/2 W, 600 Ω	
YD	RESISTOR, CARBON, 1/2 W, 100 OHMS ± 10%	
YC	POTENTIOMETER No. 8B	
B	BUZZER No. 21	

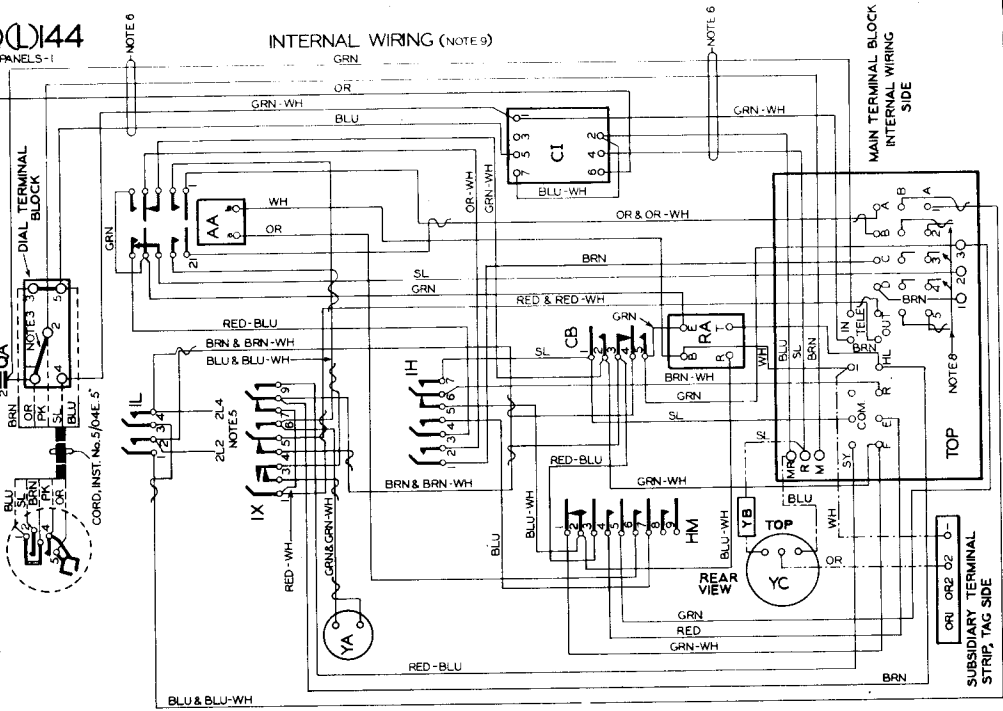
NOTES:-

1. TELEPHONE, INTERCOM. No.1/IB MK.2 MAY BE OBTAINED BY CONVERSION FROM TELEPHONE, INTERCOM. No.1/IB MK.2 IN LIEU OF TELEPHONE No.16A.
2. FOR EXPLANATORY DIAGRAM SEE Q(L)134.
3. THE INSTRUMENT AS SUPPLIED IS FITTED WITH A DUMMY DIAL IN AUTO AREAS REPLACE DUMMY DIAL BY DIAL, AUTO. SS, No. 10... FIT CORD, INST. No. 5104E 5' AND REMOVE STRAP FROM TERMINALS 1&2 OF DIAL TERMINAL BLOCK.
4. THE NORMAL POSITION OF THIS STRAP IS BETWEEN TERMINALS 3 & 2 WHEN EXCHANGE LINE SUPERVISION IS REQUIRED. TRANSFER STRAP TO TERMINALS 2&3 TO LOCAL KEY No. 1.
5. LOCAL KEYS No. 21-5L ARE WIRED SIMILARLY TO LOCAL KEY No. 1.
6. THIS WIRING SHOULD BE KEPT IN SEPARATE FORM.
7. FOR WIRING ADJUSTMENTS SEE E.I. TELEPHONES, AUTO. 8.954
8. BLU & BLU-WH PAIRS TO LOCAL KEYS 2L-5L WIRED ON KEYS AS FOR I.L.
9. INTERNAL WIRING TO BE WIRE, SWITCHPLATE TO SPECIFICATION CW 45 EXCEPT WHERE OTHERWISE INDICATED

00144

2 PANELS-1

DIAL, AUTO S.S. No. 10...



MAIN TERMINAL BLOCK
INTERNAL WIRING
SIDE

SUBSIDIARY TERMINAL
STRIP, TAG SIDE