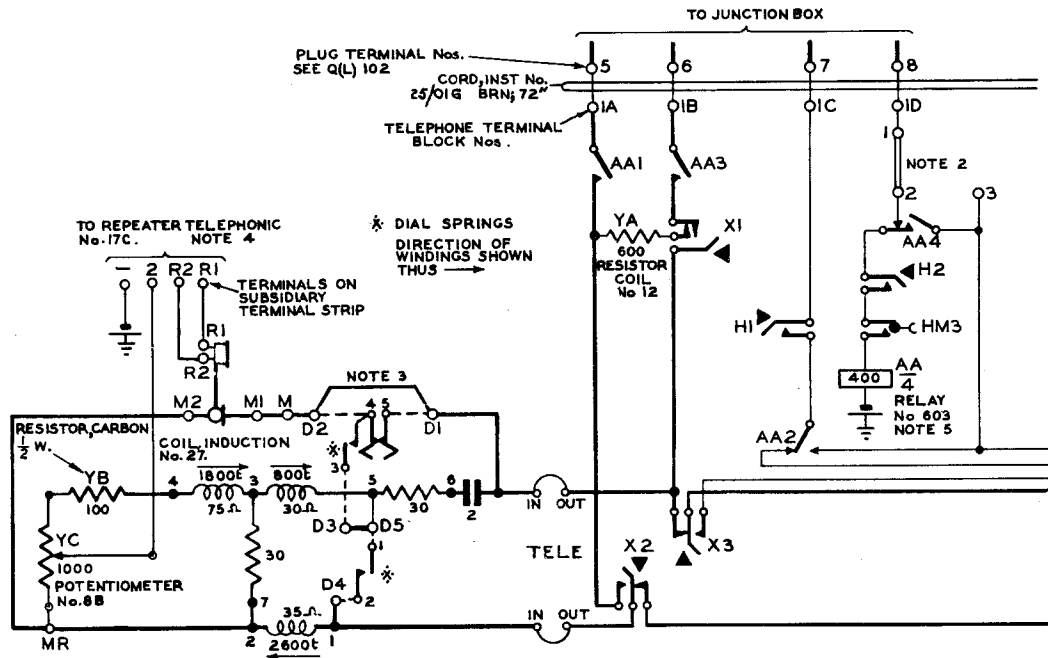
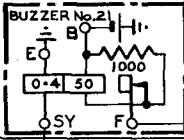


Q(L) 134
3 PANELS - 2



CIRCULATION GENERAL
 Suffix
 Amendt
 PAPER W



HOUSE EXCHANGE SYSTEM (WITH HEARING AID)
 TELEPHONE, INTERCOM. No. 1/1B (MARK 2) FOR USE WITH REPEATER,
 TELEPHONIC No. 17C
 TO JUNCTION BOX

Q (L) 134
 3 PANELS-3
 16.8.49

