

W

MADE 3 PANELS PANEL 1 (RELAY ADJUSTMENT) 13, 6, 52 E
RENUMBERED Q(L) 170 4, 5, 48 D
MK 2 ADDED ON NEW PANELS 4 & 5
SUPERSESSION NOTE ADDED.

GENERAL

*HOUSE EXCHANGE SYSTEM.
UNIT, TRANSFER, INTERCOM. No. 1 A (MARK 2)*

Q(L) 133

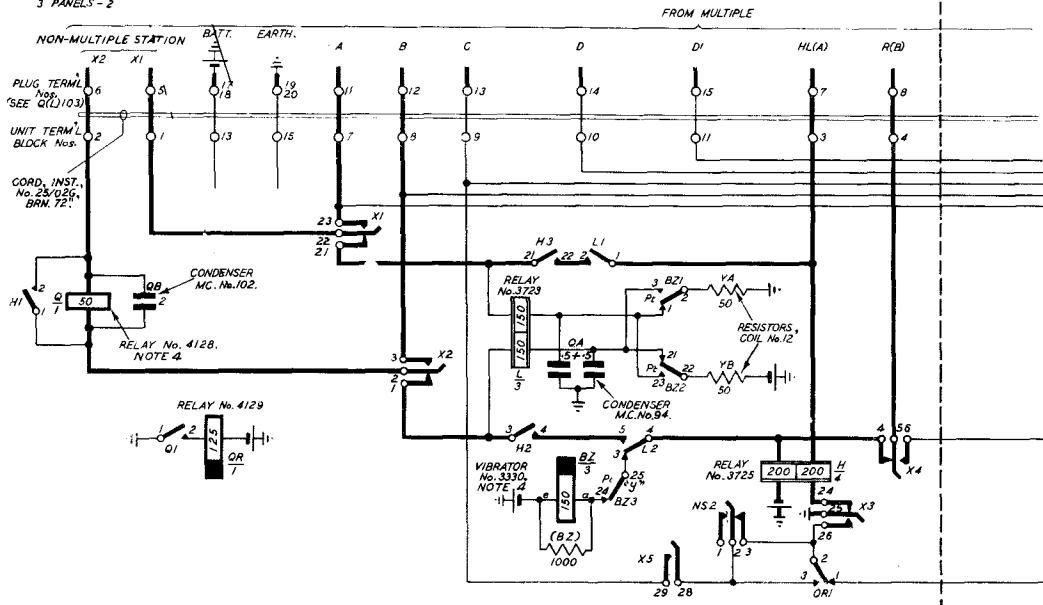
*3 PANELS - 1
2-1-36*

NOTES :-

1. WHEN 2ND CHOICE MAIN STATION IS FITTED REMOVE STRAPS T1, T2, T3, T4 & T5 AT 1ST CHOICE MAIN STATION.
2. FOR WIRING SEE DGM. Q(L) 143.
3. WHEN VISUAL ENGAGED SIGNAL ON THE EXCHANGE LINE IS REQUIRED CONNECT YC.
4. SEE DGM. Q(L) 170 FOR ADJUSTMENT OF BZ AND Q RELAYS.

Q(L) 133.

3 PANELS - 2



HOUSE EXCHANGE SYSTEM.

UNIT TRANSFER INTERCOM. No. 1A.

RELAY ADJUSTMENTS.

Q (L) 133.
2-1-38
3 PANELS - 1

- NOTES.
- (1) BEFORE ANY RELAY ADJUSTMENT IS ATTEMPTED IT SHOULD BE VERIFIED THAT THE VOLTAGE ON THE SYSTEM UNDER LOAD CONDITIONS IS BETWEEN 18 AND 28 VOLTS.
- (2) ADJUSTMENT DETAILS FOR QR (RELAY 4129), L (RELAY 3723), H (RELAY 3725) & G (RELAY 4127) ARE GIVEN IN E.I. TELEPHONES AUTOMATIC B. 5144

28 B 13	C
17-4-38	B
1-23-1 A	A
TEST TOLERANCE E.T.C. ADDED.	
RELAY ADJUSTMENT (PANEL 1) ADDED.	
MINOR ERROR CORRECTED.	
Amendment	

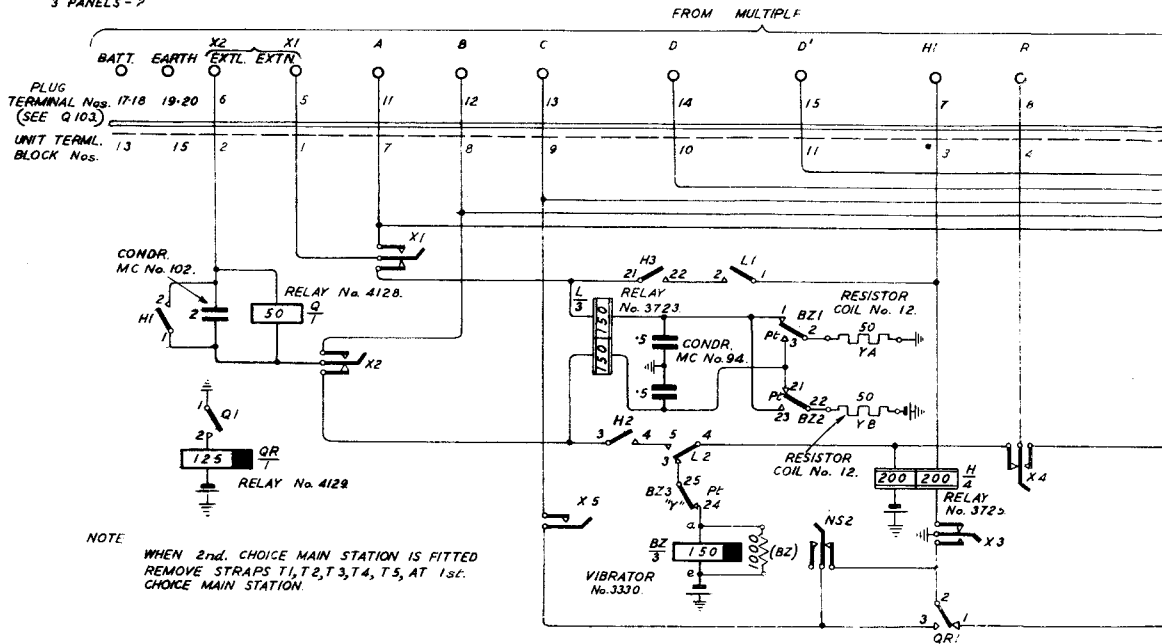
ADJUSTMENT OF SPECIAL (RED LABEL) 3000 TYPE RELAY Q (No. 4128 MARK No. 1.)			
SPECIAL MECHANICAL ADJUSTMENTS	CURRENT VALUES		
	CONDITION	TEST VALUES (mA)	READJUST VALUES (mA)
RESIDUAL. MARKED VALUE ± 2 MILS TEST ± 1 MIL READJUST.	SATURATE	120	120
TRAVEL. 25 MILS ± 2 MILS TEST ± 1 MIL READJUST. SPRING THICKNESS. 12 MILS	RELEASE	2.0	2.2
ADJUST TENSION OF SPRING 1 TO MEET CURRENT TESTS.			
CONTACT CLEARANCE. 5 MILS MINIMUM	OPERATE	18	17
OTHER ADJUSTMENTS TO E.I. TELEPHONES. AUTOMATIC B.5144	TEST POINTS UNIT TERM. BLOCK Nos. 2 & 8 (X_2 KEY SPRINGS TO BE OPERATED.)		

ADJUSTMENT OF VIBRATOR No. 3330. MARK. 1. (BZ) (RED LABEL 3000 TYPE RELAY)			
SPECIAL MECHANICAL ADJUSTMENTS	CURRENT VALUES		
	CONDITION	TEST VALUES (mA)	READJUST VALUES (mA)
RESIDUAL. 5 MILS	NON OPERATE	55	58
TRAVEL. 43 MILS			
SPRING THICKNESS 14 MILS	OPERATE	65	62
ADJUST TENSION OF AUXILIARY SPRING TO MEET CURRENT TESTS.			
OTHER ADJUSTMENTS TO E.I. TELEPHONES AUTOMATIC B.5144	TEST POINT :- EARTH BZ a INSULATE RELAY CONTACT L $\frac{3}{4}$.		

Q(L) 133.

FOR WIRING SEE DIAGRAM Q(L) 143

3 PANELS - 7

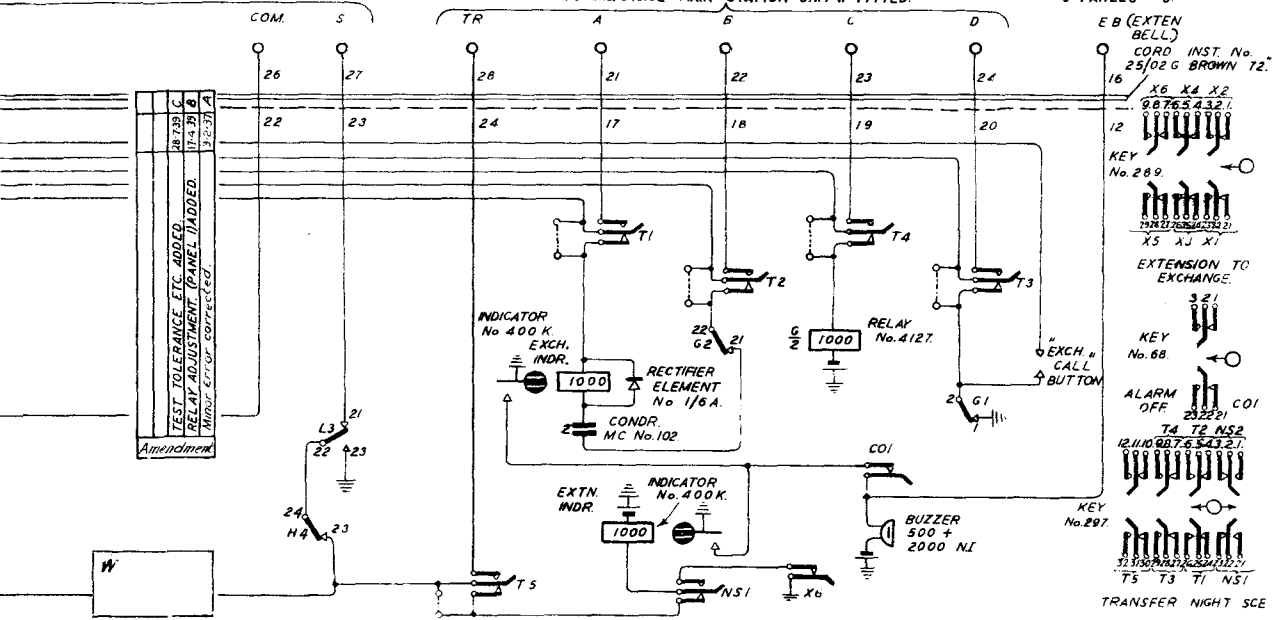


CIRCULATION
GENERAL

HOUSE EXCHANGE SYSTEM.

UNIT TRANSFER INTERCOM. No. 1 A.
TO 2ND CHOICE MAIN STATION UNIT IF FITTED.

Q (L) 133.
2-1-34
3 PANELS - 3



EXTENSION TO EXCHANGE.

KEY No. 68.

ALARM OFF.

KEY No. 297.

TRANSFER NIGHT SCE