

TELEPHONES.../SA 4258  
700 TYPE TELEPHONE WITH PUSH-BUTTON MF SIGNALLING (SS MF 4)

SA(L)4258  
PAGE 1-7  
ISSUE A

DESCRIPTIONS

TELEPHONE SA4258. BASIC TELEPHONE USED IN PABX EXTENSIONS ONLY. (RECALL IS NOW FITTED AS STANDARD)

TELEPHONE 2/SA4258. SIMILAR TO SA4258 BUT FITTED WITH LAMP OPALS, LAMP FITTINGS AND 6 WAY TERMINAL STRIP IN A 740 TYPE 4 BUTTON CASE.

TELEPHONE 4/SA4258. SIMILAR TO 2/SA4258 BUT INTENDED FOR WALL MOUNTING AND DIRECT CABLING.



NOTES

1. SA(L)4258 HAS BEEN CHANGED TO ALLOW MF4 AND LOOP DISCONNECT SIGNALLING ON THE SAME EXTENSION (WHERE THE PBX ALLOWS) USING STANDARD DIAL TELEPHONE CABLING, BLOCK TERMINALS AND CORDS ETC. AS SHOWN IN THE RELEVANT N DIAGRAMS.
2. MARK Nos. 2 AND 5 OF SA4258 DO NOT HAVE A 6 WAY TERMINAL STRIP FITTED. PART 2/D5T/836 SHOULD BE FITTED WHEN T20 - T25 ARE REQUIRED
3. TELEPHONE TERMINALS T11 AND T14 ARE USED IN THE MF4 CIRCUIT IN SOME TELEPHONES AND ARE THEREFORE NOT SPARE.
4. THE CIRCUIT DIAGRAMS IN THE OPEN ISSUE OF THIS SA(L) ARE NO LONGER CORRECT FOR ALL TELEPHONES AND HAVE BEEN OMITTED FROM THIS ISSUE.

PC TELECOMMS HQRS PAPER:- W CIRCULATION GENERAL	ISSUE A	REDRAWN. FORMERLY 10 SHTS. CHANGED TO DIAL TELEPHONE COMPATABLE CABLING. RECALL ADDED. PLAN 2 ADDED. CIRCUIT DIAGRAMS OMITTED <i>HIC</i> <i>[Signature]</i>	TD 7.1.1.	14.7.78
		E.M.W. P.D.F. J.S.G.	TD 2.3.2.	11.4.72

WIRING OF EXTENSION PLAN 1  
ON 2 WIRE PBX'S WITH RECALL USING TELEPHONES .../SA 4258 (INTERNAL ONLY)

MAIN  
( WITH 3 EXTENSIONS )  
TELEPHONE 2/SA4258

## NOTES :-

1. CABLING AND STRAPPING AS IN N4541

2. APPARATUS REQUIRED :- EXTENSIONS :- SA 4258 WITH PARTS AS IN N4541

MAIN :-

WITH 3 EXTENSIONS :-

- |                            |                                   |
|----------------------------|-----------------------------------|
| (a) TELEPHONE 2/SA 4258    | (b) CORD INSTR. No. 9/21AD ...    |
| (c) BLOCK TERMINAL No. 36B | (d) PARTS 5/ , 6/ , AND 7/DBU/372 |
| (e) 3 SWITCHES No. 5A-4    | (f) 3 PARTS 1/DPI/203             |

WITH 2 EXTENSIONS :-

- |                         |                            |
|-------------------------|----------------------------|
| (a), (b), (c) AS ABOVE  | (d) PARTS 5/ AND 6/DBU/372 |
| (e) 2 SWITCHES No. 5A-4 | (f) 2 PARTS 1/ DPI / 203   |

WITH 1 EXTENSION :-

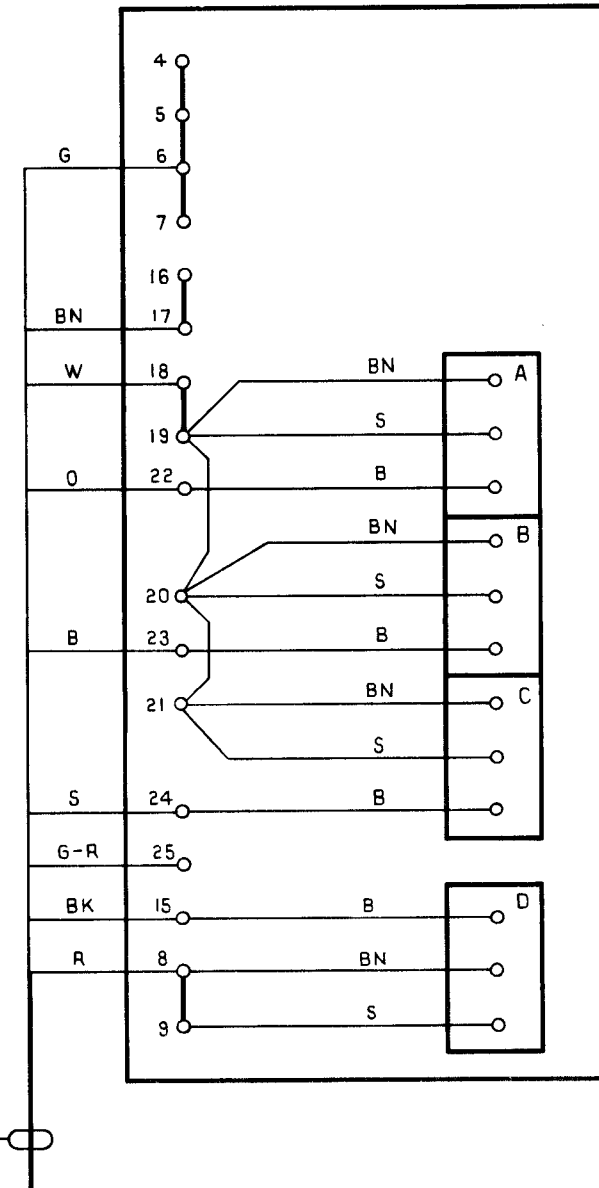
- |                            |                                  |
|----------------------------|----------------------------------|
| (a) TELEPHONE SA 4258      | (b) CORD INSTR. No. 6/61AT ...   |
| (c) BLOCK TERMINAL No. 36B | (d) 1 PART EACH 5/ AND 7/DBU/363 |
| (e) SWITCH No. 5A-4        | (f) PART 1/ DPL/ 1022            |

3. FITTING :- EXTENSION :- STRAP AS IN N4541

MAIN :- WITH 2 OR 3 EXTENSIONS :-  
REMOVE LAMP WIRES FROM T20-T23 AND INSULATE .  
CONNECT AS SHOWN

WITH 1 EXTENSION :-  
BELL CIRCUIT No. 5A-4 SWITCH IN 'B' POSITION WITH BN AND S TO T19 AND B TO T12 . O OF CORD INSTR. No. 6/61AT ... TO T12 .

4. SA 4258 TELEPHONES MAY BE MIXED WITH 700 TYPE DIAL TELEPHONES ON PLAN 1 (ON PBX'S THAT ACCEPT BOTH MF4 AND LOOP-DISCONNECT SIGNALLING ON THE SAME EXTENSION)



CORD INSTRUMENT  
No. 9/21AD...

WIRING OF EXTENSION PLAN IA  
ON 2 WIRE PBX'S WITH RECALL USING TELEPHONE SA4258

SA(L)4258

PAGE 3-7

ISSUE A

NOTES :-

1. ALL WIRING, BLOCK TERMINALS, INSTRUMENT CORDS AND CONNEXION OF SA 4258 AND 700 TYPE DIAL TELEPHONES AS IN N4542
2. APPARATUS REQUIRED :- TELEPHONE SA 4258  
MAIN :- EXTENSIONS :-  
CORD INSTR. No. 6/61 AT... 1 SWITCH No. 23A-1  
BLOCK TERMINAL No. 35A 1 PART 7/DBU/363  
1 PART 2/DBU/363  
1 PART 1/DPL/1022  
1 CORD INSTR. No. 6/61 AT...  
BLOCK TERMINAL No. 35A (LAST)  
BLOCK TERMINAL No. 36B (INTER)
3. TELEPHONE SA 4258 MAY BE MIXED WITH 700 TYPE DIAL TELEPHONES ON PLAN IA  
(ON PBX'S THAT ACCEPT BOTH MF4 AND LOOP-DISCONNECT SIGNALLING ON THE SAME EXTENSION)

WIRING OF EXTENSION PLAN 2  
ON 2 WIRE PBX'S WITH RECALL USING TELEPHONE 2/SA 4258

NOTES :-

1. APPARATUS REQUIRED :-

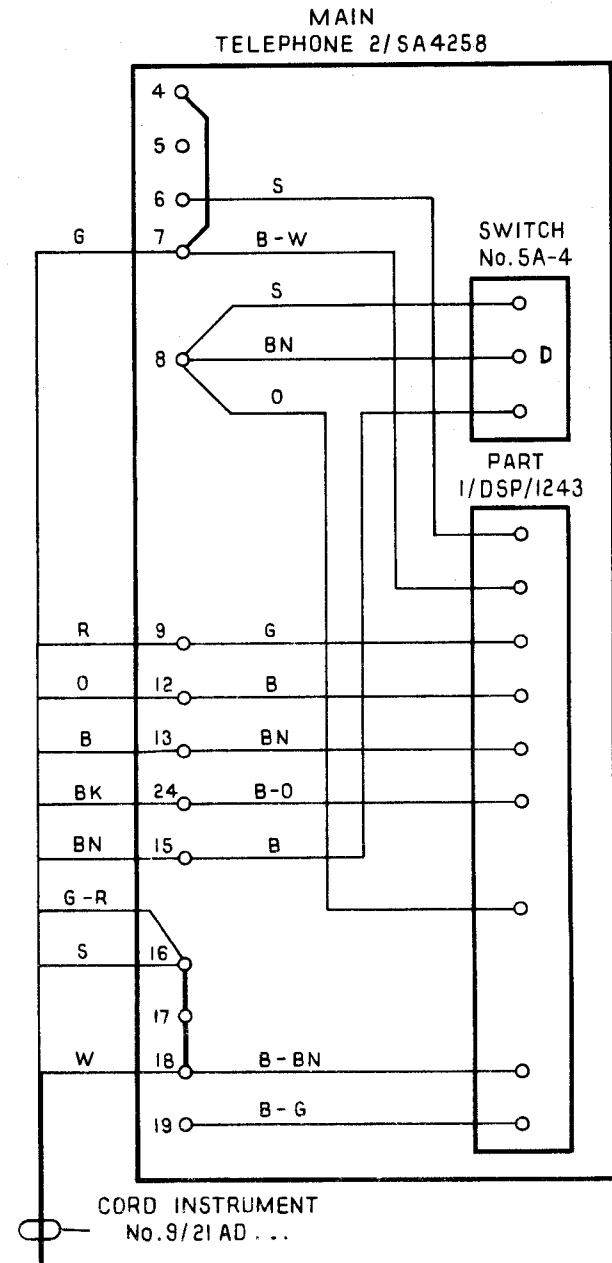
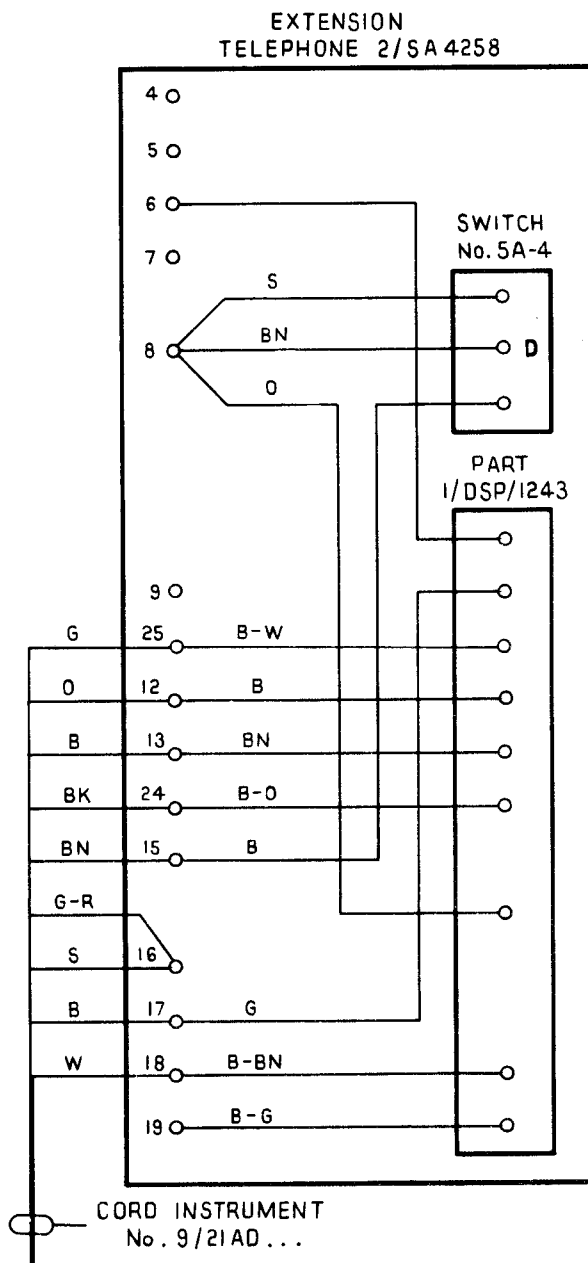
ALL STATIONS :-

TELEPHONE 2/SA4258 , PART 1/DSP/1243,  
PART 6/DBU/372, PART 1/DPI/203, BLOCK  
TERMINAL No. 36B, CORD INSTRUMENT No.9/21 AD...

2. FITTING :-

ALL CABLING, BLOCK TERMINALS AND 700 TYPE  
DIAL TELEPHONES CONNECTED AS IN N 4544  
CONNECT 2/SA4258 AS SHOWN.

3. TELEPHONE 2/SA4258 MAY BE MIXED WITH 700  
TYPE DIAL TELEPHONES ON PLAN 2 (ON PBX'S  
THAT ACCEPT BOTH MF4 AND LOOP-DISCONNECT  
SIGNALLING ON THE SAME EXTENSION.)



WIRING OF EXTENSION PLAN 4  
ON 2 WIRE PBX'S WITH RECALL (INTERNAL ONLY) USING TELEPHONE SA 4258

FIG. 1 USING ONE TELEPHONE SA4258

NOTES :-

1. THE FACILITIES OF PLAN 4 ARE SHOWN ON DGM NI427.
2. CABLING AND STRAPPING OF BELL-SET AND JACKS ARE SHOWN IN DGM N4546.
3. APPARATUS REQUIRED
  - (a) USING ONE TELEPHONE
    - BELL-SET No. 26
    - TELEPHONE SA4258
    - JACK No. 95..AT MAIN AND EXTENSIONS
    - PLUG No. 420 WITH CORD INSTRUMENT NO. 4/97AD...
  - (b) USING TWO OR MORE TELEPHONES
    - BELL-SET No. 26
    - JACK No. 96..AT MAIN AND EXTENSIONS
    - TELEPHONE SA 4258
    - PLUG No. 505 WITH CORD } AT EACH TELEPHONE
    - INSTRUMENT No. 5/39AD.. }
4. RECOVER CORD INSTRUMENT No. 4/121AT... AND BLOCK TERMINAL No. 52A. FIT APPROPRIATE CORD AND PLUG. REARRANGE STRAPS AS SHOWN.
5. TELEPHONE SA4258 MAY BE USED AS A REPLACEMENT FOR TELEPHONE No. 746R WHERE ONE TELEPHONE IS USED OR WORK WITH TELEPHONE No. 746R WHERE TWO OR MORE TELEPHONES ARE USED, WITHOUT JACK OR CABLE CHANGES. (ON PBX'S THAT ACCEPT BOTH MF AND LOOP DISCONNECT SIGNALLING ON THE SAME EXTENSION) (TELEPHONE No. 746R STRAPPED AS IN N4546)

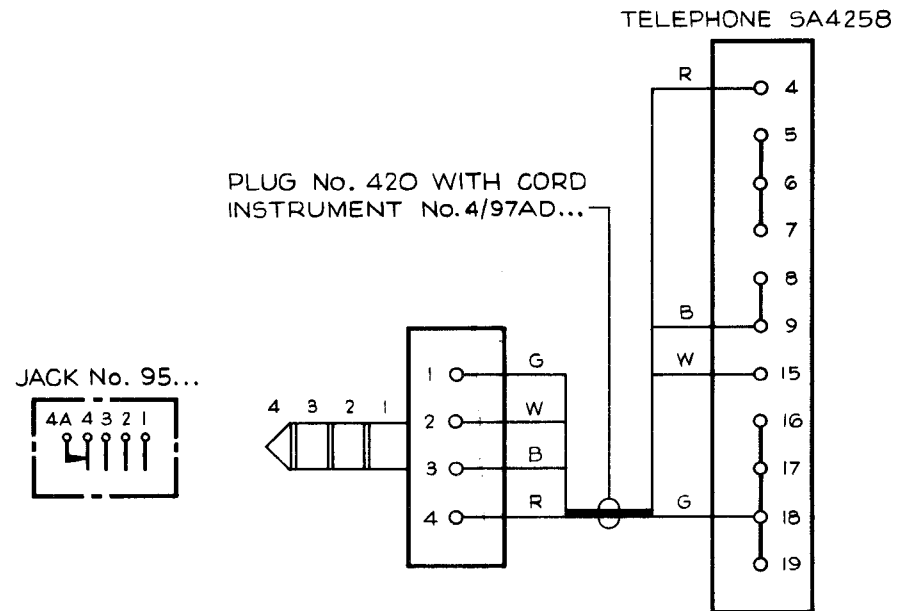
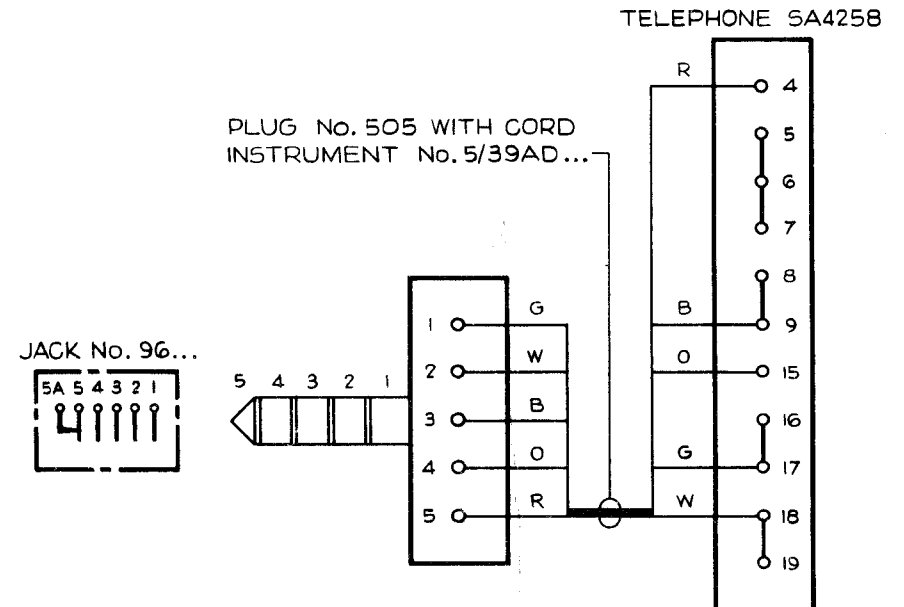


FIG. 2 USING TWO OR MORE TELEPHONES SA 4258



WIRING OF EXTENSION PLAN 105/105A (INTERNAL ONLY)  
ON 2 WIRE PBX'S WITH RECALL USING TELEPHONE \_\_\_/SA4258 AND PLANSET N625

NOTES :-

1. APPARATUS REQUIRED :-

MAIN :-  
TELEPHONE SA 4258  
PLAN SET N625 TABLE  
POWER-UNIT No. 53B  
PART 1/DBU/199  
CAPACITOR No.7712 -2  
CLIP No.90  
SWITCH No. 19D-1  
PART 2/DST/836(SEE PAGE 1)

EACH EXTENSION :-  
TELEPHONE 2/SA 4258  
2 SWITCHES No. 5A-4  
2 PARTS 1/DPI/203  
1 PART 4/DBU/372  
BUZZER No.32C-3

EXTENSION 1 :-  
PART 6/DBU/372  
CORD INSTRUMENT No. 12/15 AD...

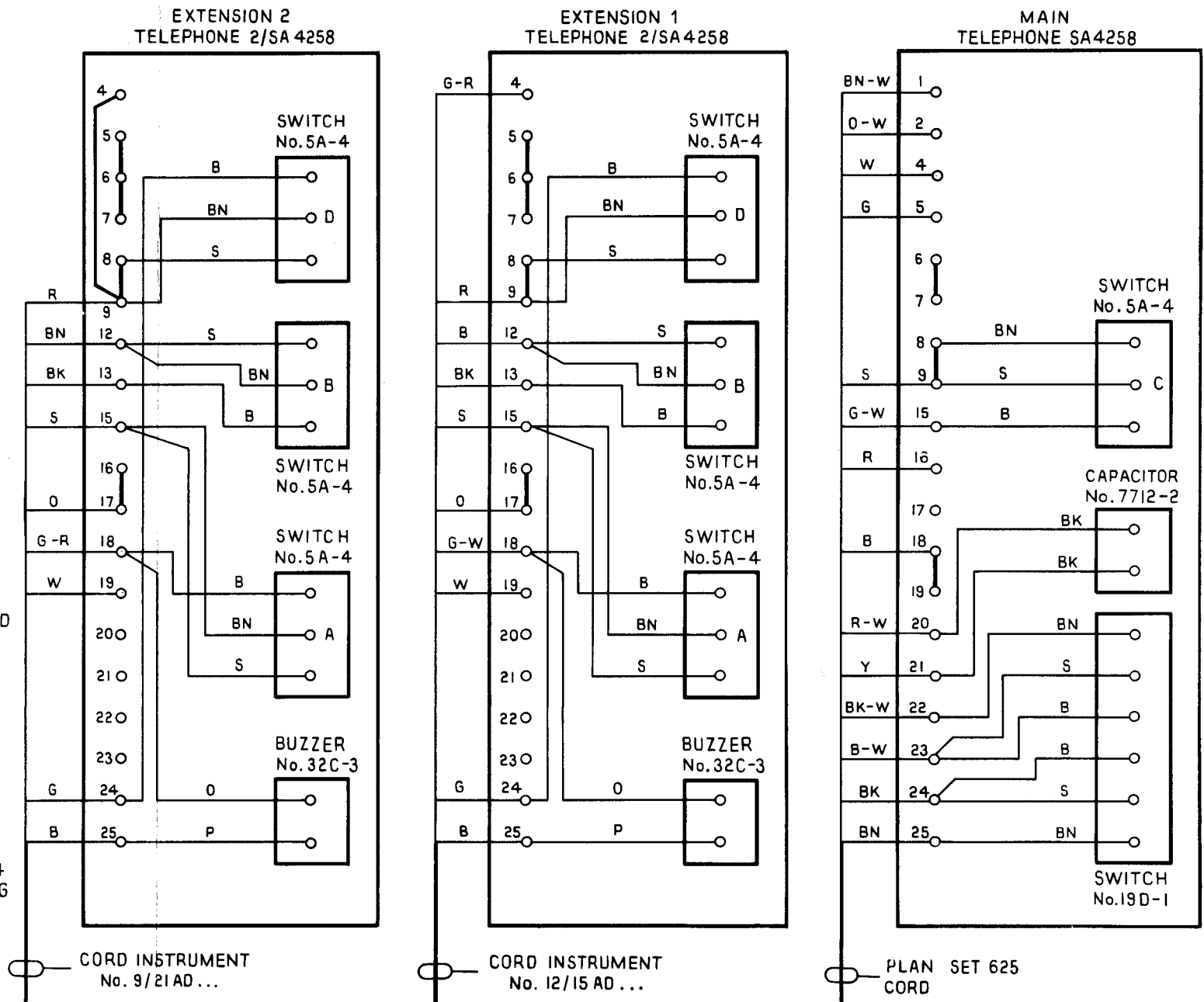
EXTENSION 2 :-  
PART 5/DBU/372  
CORD INSTRUMENT No. 9/21 AD...

2. FITTING :-

ALL WIRING, BLOCK TERMINALS AND 700 TYPE DIAL TELEPHONES, CONNECTED AS IN N4547. CONNECT \_\_\_/SA4258 TELEPHONES AS SHOWN

MAIN :-  
IF NECESSARY, FIT PART 2/DST/836 IN SA 4258

3. \_\_\_/SA4258 TELEPHONES MAY BE MIXED WITH 700 TYPE DIAL TELEPHONES ON PLAN 105/105A. (ON PBX'S THAT ACCEPT BOTH MF4 AND LOOP-DISCONNECT SIGNALLING ON THE SAME EXTENSION)



WIRING OF EXTENSION PLAN 107/107A  
(INTERNAL ONLY) ON 2 WIRE PBX'S WITH RECALL USING TELEPHONE SA 4258 AND PLAN SET N625

NOTES :-

1. APPARATUS REQUIRED :-

MAIN

TELEPHONE SA4258  
PLAN SET N625 TABLE  
POWER UNIT No. 53B  
PART 1/DBU/199  
CAPACITOR No. 7712-2  
CLIP No. 90  
SWITCH No. 19D-1  
PART 2/DST/836 (SEE PAGE 1)

EXTENSION

TELEPHONE SA4258  
SWITCH No. 5A-4  
PART 1/DPL/1022  
PART 4/DBU/363  
PART 7/DBU/363  
BUZZER No. 32C-3  
CORD INSTRUMENT No. 9/21AD...  
BLOCK TERMINAL No. 36B

2. FITTING :-

ALL WIRING, BLOCK TERMINALS AND 700 TYPE TELEPHONES CONNECTED AS IN N4549 (ISSUE B).  
IF NECESSARY, FIT PART 2/DST/836 AT MAIN.  
BROWN AND SLATE SPARE WIRES IN 9/21AD... SHOULD BE INSULATED AND TIED BACK.

3. TELEPHONES SA4258 MAY BE MIXED WITH 700 TYPE DIAL TELEPHONES ON PLAN 107/107A. (ON PBX'S THAT ACCEPT BOTH MF4 AND LOOP-DISCONNECT SIGNALLING ON THE SAME EXTENSION.)

