



DESCRIPTIONS:-

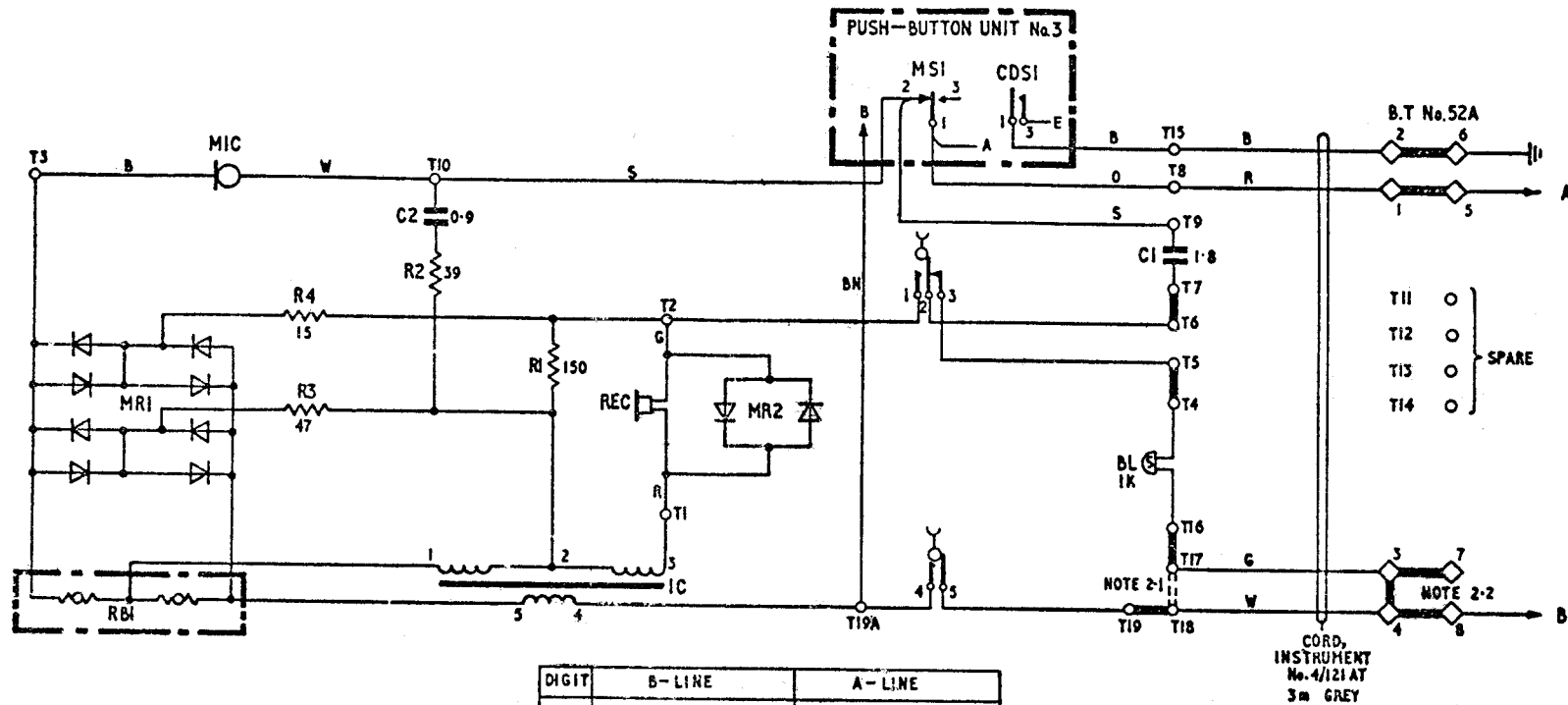
- A. TELEPHONE SA 4252. Basic telephone provided with operator-recall used for P.A.B.X. extensions, or providing Extension Plan IA
- B. TELEPHONE 1/SA 4252. A fully equipped telephone for providing extension Keyplans 105/105A, 107/107A
- C. TELEPHONE 2/SA 4252. Similar to Telephone SA 4252 electrically, but can accommodate four push buttons. Also supplied with two lamp fittings and case housing two caps, lamp.
- D. TELEPHONE 3/SA 4252. A wall version of Telephone SA 4252 intended for direct wiring.

GENERAL NOTES:-

- 1-1 Pages 2,3&5 show the basic telephone circuit for all Telephones .../SA 4252 ....
- 1-2 MS1 and CDS1 operate when any push button is fully depressed.
- 1-3 As supplied all telephones are equipped to provide earth loop recall.
- 1-4 Each Telephone 1/SA 4252 is fitted with L1 and C3. In some extension plan Numbers these components may not be required. Do not remove unwanted components, but isolate them according to the instruction on the appropriate plan diagram
- 1-5 A Main telephone is where incoming calls are normally answered.
- 1-6 For details of auxiliary units and press buttons see N848 and N849 respectively.
- 1-7 THE 'A' AND 'B' WIRES MUST BE CONNECTED AS SHOWN IN THE APPROPRIATE DGM. Incorrect connexions will give a fault condition on outgoing calls

P. O.			
TELECOMMS.	C	PAGES 24-27 ADDED. PAGES 3,4,15-18,25 AND 26 MADE YELLOW. m/v	26-9-75
HORS.	B	PLAN KDC 2A REVISED. PLAN KDC 2 ADDED. PLAN KDC 1A SCHEMATIC ADDED. TELE/SA 4252 MK 2 ADDED. JAS	24-5-73
PAPER: W	A	PLAN KDC2 AMENDED. PLAN-SETS 105 & 107 & FIG.22 ADDED. PLAN NUMBER TITLES AMENDED.	5-12-72
CIRCULATION:			
GENERAL		TD 7-1-2	2-2-1971

FIG.1 TELEPHONE SA 4252 (TABLE)  
 AND  
 TELEPHONE 3/SA 4252 (WALL)

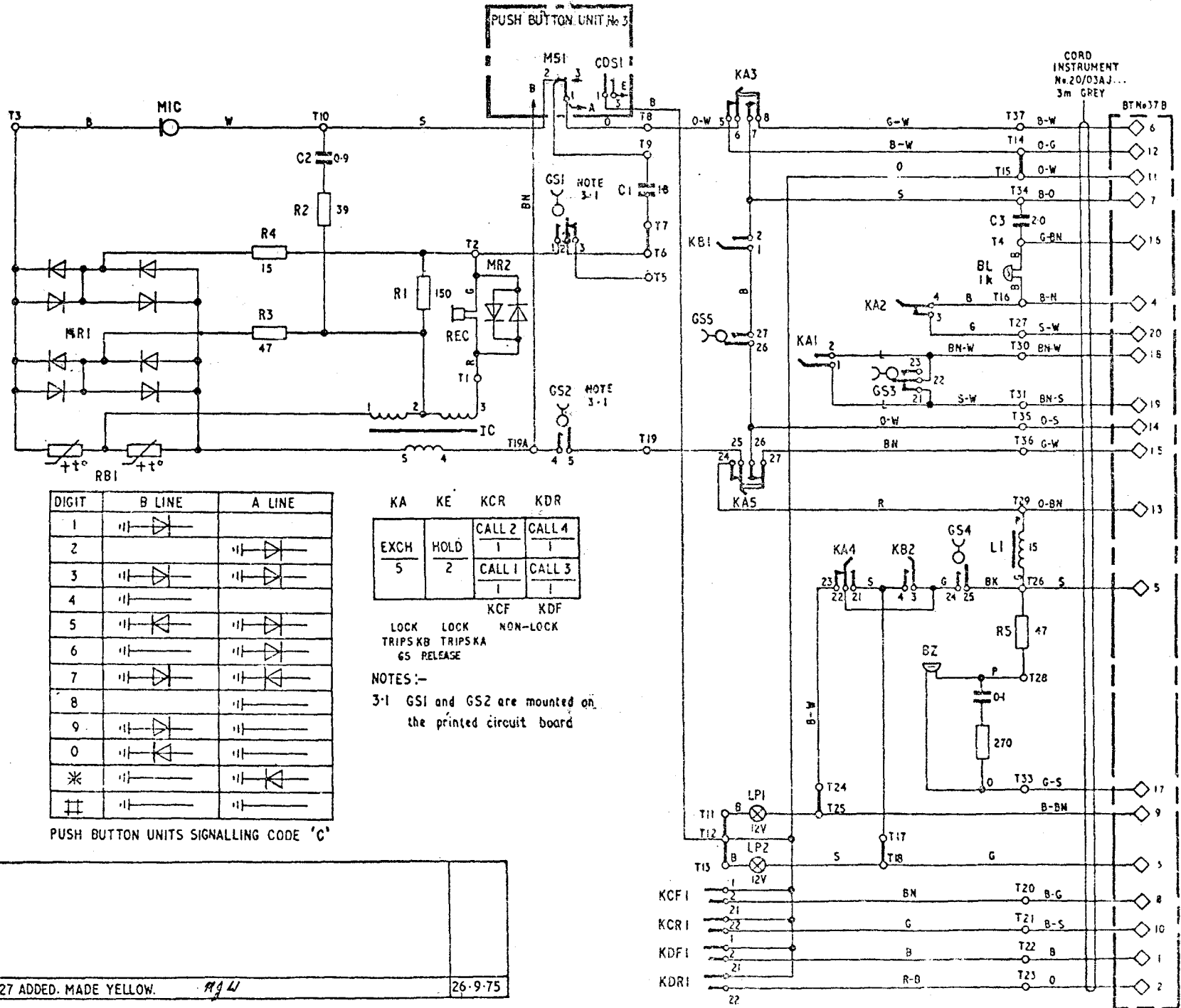


DIGIT	B-LINE	A-LINE
1	— >	
2		— <
3	— >	— <
4	—	
5	— <	— >
6	—	— <
7	— >	— <
8		—
9	— <	—
0	— >	—
*	—	— <
	—	—

PUSH-BUTTON UNIT SIGNALLING CODE 'C'

NOTES:-

- 2.1 On wall telephone block terminal and cord instrument are omitted and Strap T17 - T18 provided
- 2.2 For table telephone when extension bell is required remove Strap BT3 - BT4 and connect bell to BT7 - BT8  
 For wall telephone when extension bell is required: remove Strap T17 - T18 and connect bell to T17 - T18



DIGIT	B LINE	A LINE
1	▽	
2		▽
3	▽	▽
4		
5	▽	▽
6		▽
7	▽	▽
8		
9	▽	
0	▽	
*		▽

PUSH BUTTON UNITS SIGNALLING CODE 'C'

KA	KE	KCR	KDR
EXCH	HOLD	CALL 2	CALL 4
5	2	1	1
		CALL 1	CALL 3
		1	1

KCF KDF  
LOCK LOCK NON-LOCK  
TRIPSKB TRIPSKA  
6S RELEASE

NOTES:-  
3-1 GS1 and GS2 are mounted on the printed circuit board

P.O. TELECOMMS. H.Q.RS.		
PAPER:- Y	ISSUE	
DISTN:- GENERAL		
C PAGES 24-27 ADDED. MADE YELLOW.		26-9-75

SA (L)4252  
PAGE 4  
ISSUE C

SPARE

FIG.3 TELEPHONE 2/SA 4252

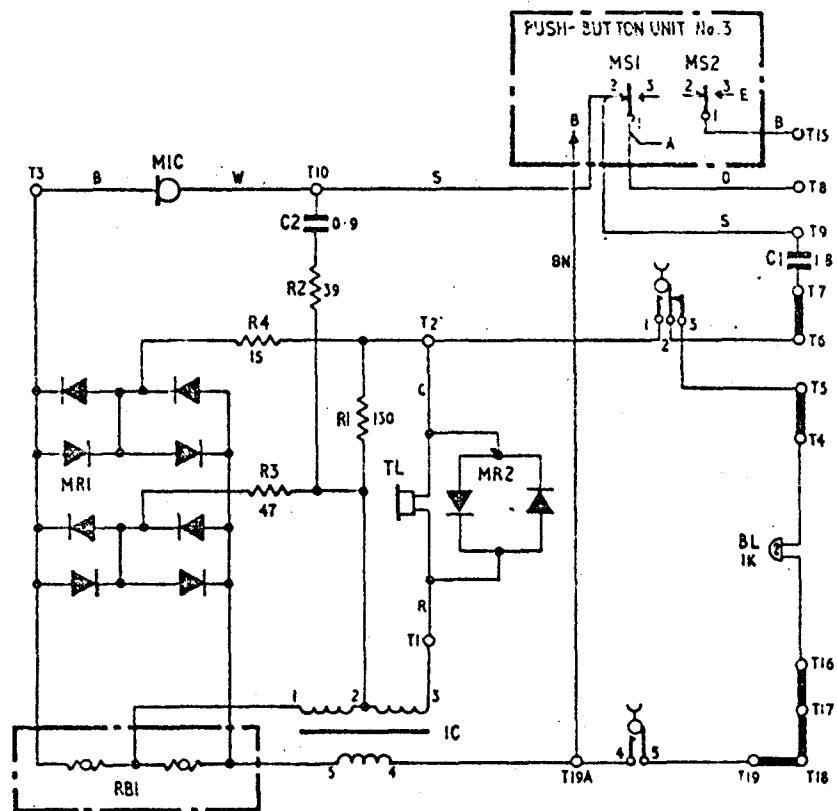
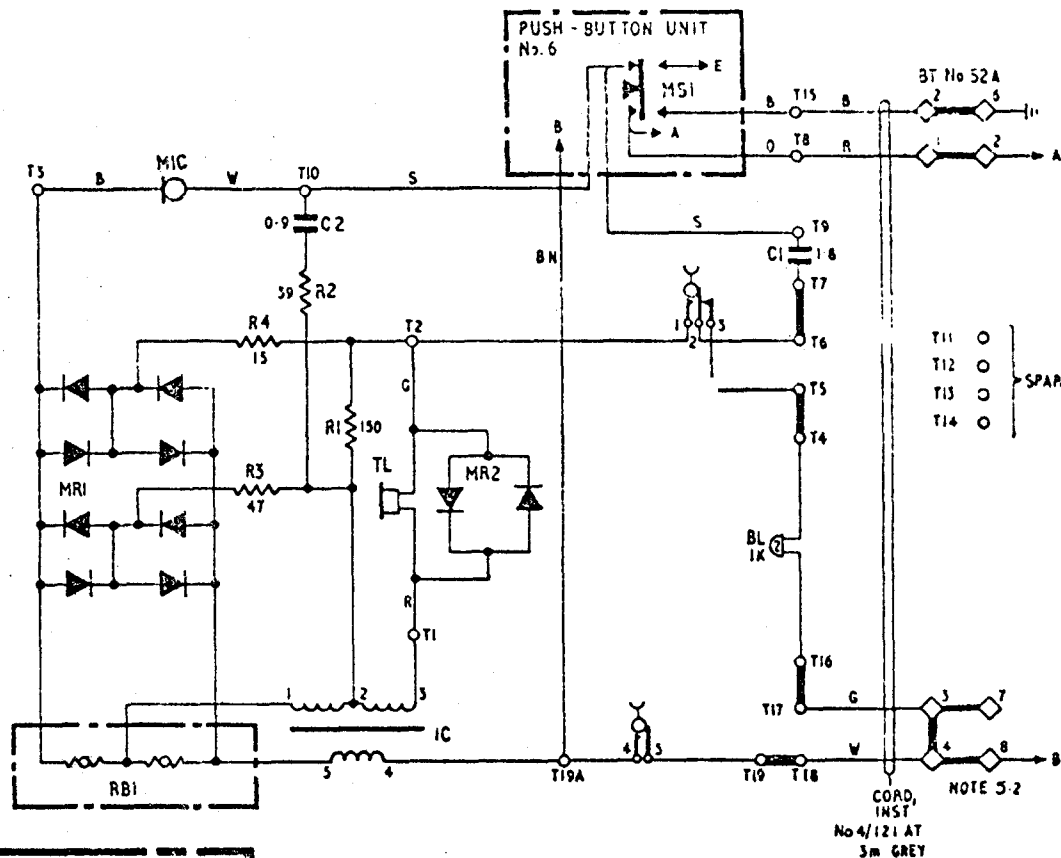


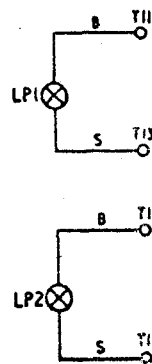
FIG.4 TELEPHONE 1/SA 4252 MK 2 (NOTE 5 1)



T11 ○ } SPARE  
T12 ○ }  
T13 ○ }  
T14 ○ }

DIGIT	B-LINE	A-LINE	DIGIT	B-LINE	A-LINE
1	▽		7	▽	▽
2		▽	8		▽
3	▽	▽	9	▽	▽
4	▽		0	▽	▽
5	▽	▽	*	▽	▽
6	▽	▽		▽	▽

PUSH BUTTON UNIT SIGNALLING CODE "C"

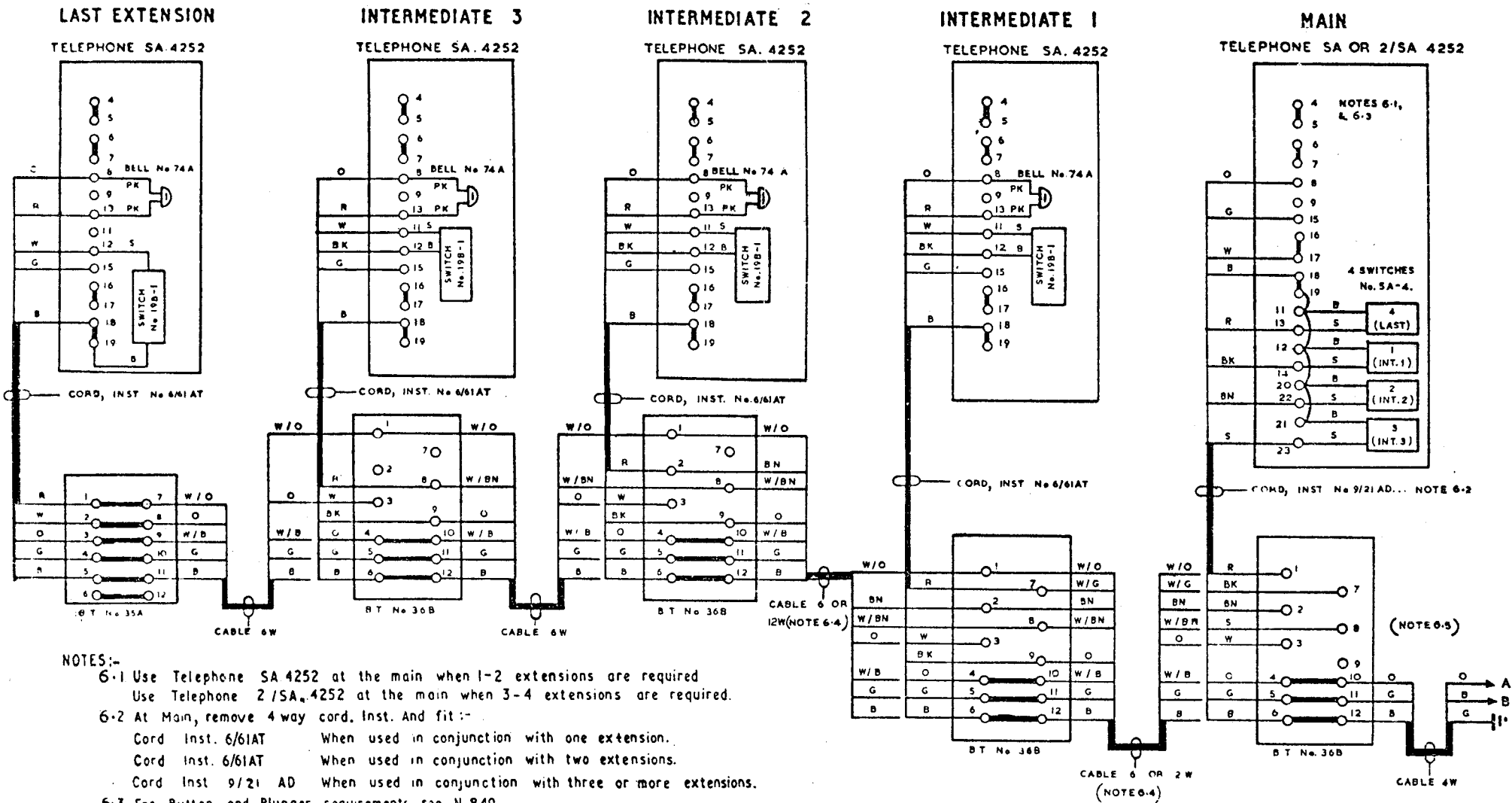


NOTES-

- 5.1 The Mark 2 Telephones have a different push-button unit from the Mark 1 Telephones but are identical in all other respects.
- 5.2 When extn. bell is required remove Strap BT3-BT4 and connect bell to BT7-BT8.

PO TELECOMMS. H.Q.RS.			
PAPER:- Y	ISSUE		
DISTN:- GENERAL			
C PAGES 24-27 ADDED. MADE YELLOW.		MAU	26.9.75

FIG.5 CABLING OF KEYPHONE DC PLAN I



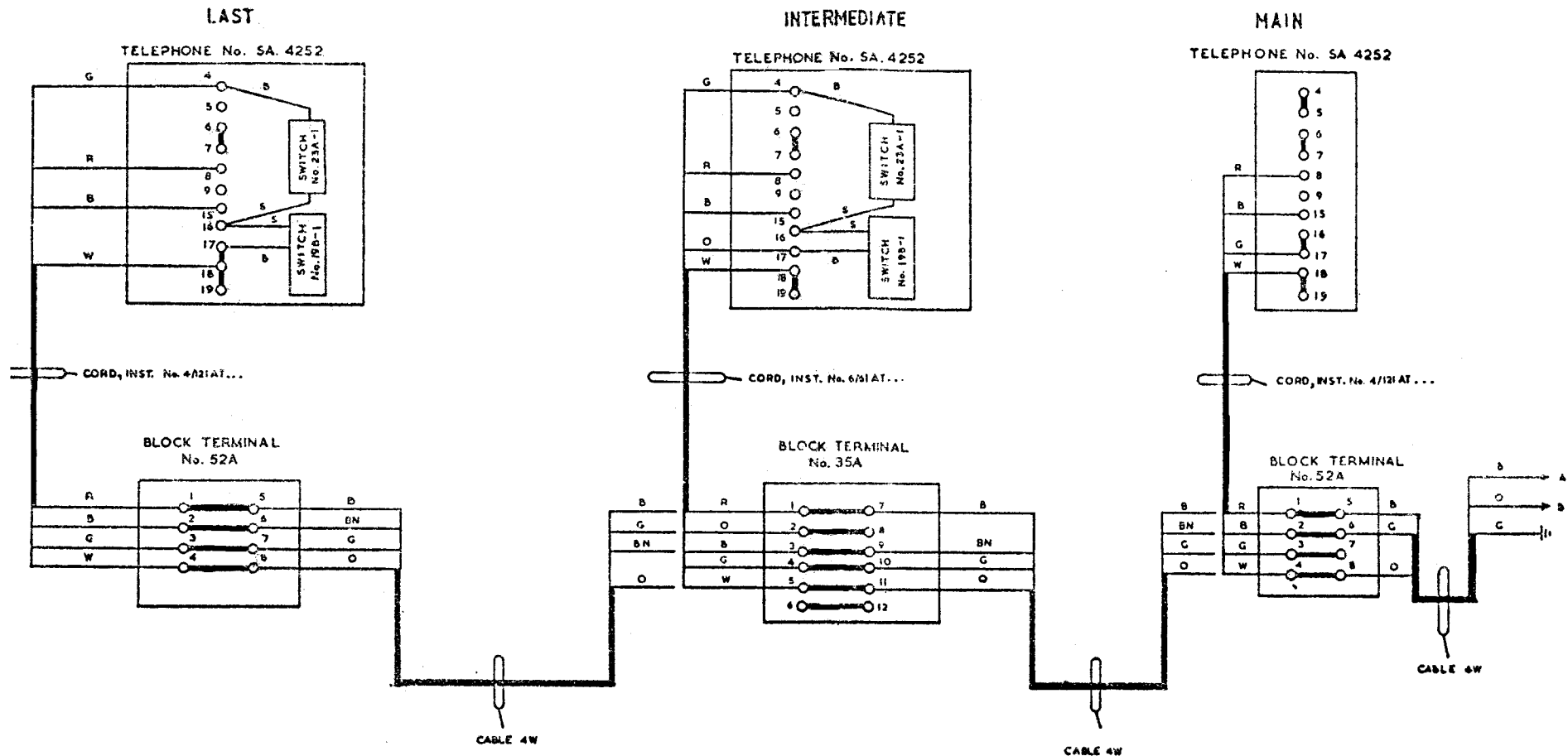
NOTES:-

- 6-1 Use Telephone SA 4252 at the main when 1-2 extensions are required  
Use Telephone 2/SA 4252 at the main when 3-4 extensions are required.
- 6-2 At Main, remove 4 way cord. Inst. And fit :-  
Cord Inst. 6/61AT When used in conjunction with one extension.  
Cord Inst. 6/61AT When used in conjunction with two extensions.  
Cord Inst 9/21 AD When used in conjunction with three or more extensions.
- 6-3 For Button and Plunger requirements see N.849.
- 6-4 For 1-2 Extensions, use cable 6W.  
For 3-4 Extensions, use cable 2W

6-5. For additional extension Bell at main:-

- Transfer White cord Conductor from BT 3. and replace on BT 9
- Connect extension Bell using cable 2W. Between BT.3. and BT 9.

FIG. 6 CABLING OF KEYPHONE DC PLAN 1A

**Main station:**

Use Telephone SA 4252 as supplied.

**Intermediate stations:**

Fit Switch No. 23A-1, Part 2/DBU/362. Two Parts 1/DPI/203 and Switch No. 19B-1.

Remove Cord inst. 4/121AT... and replace by Cord Inst 6/61AT...

**Last station:**

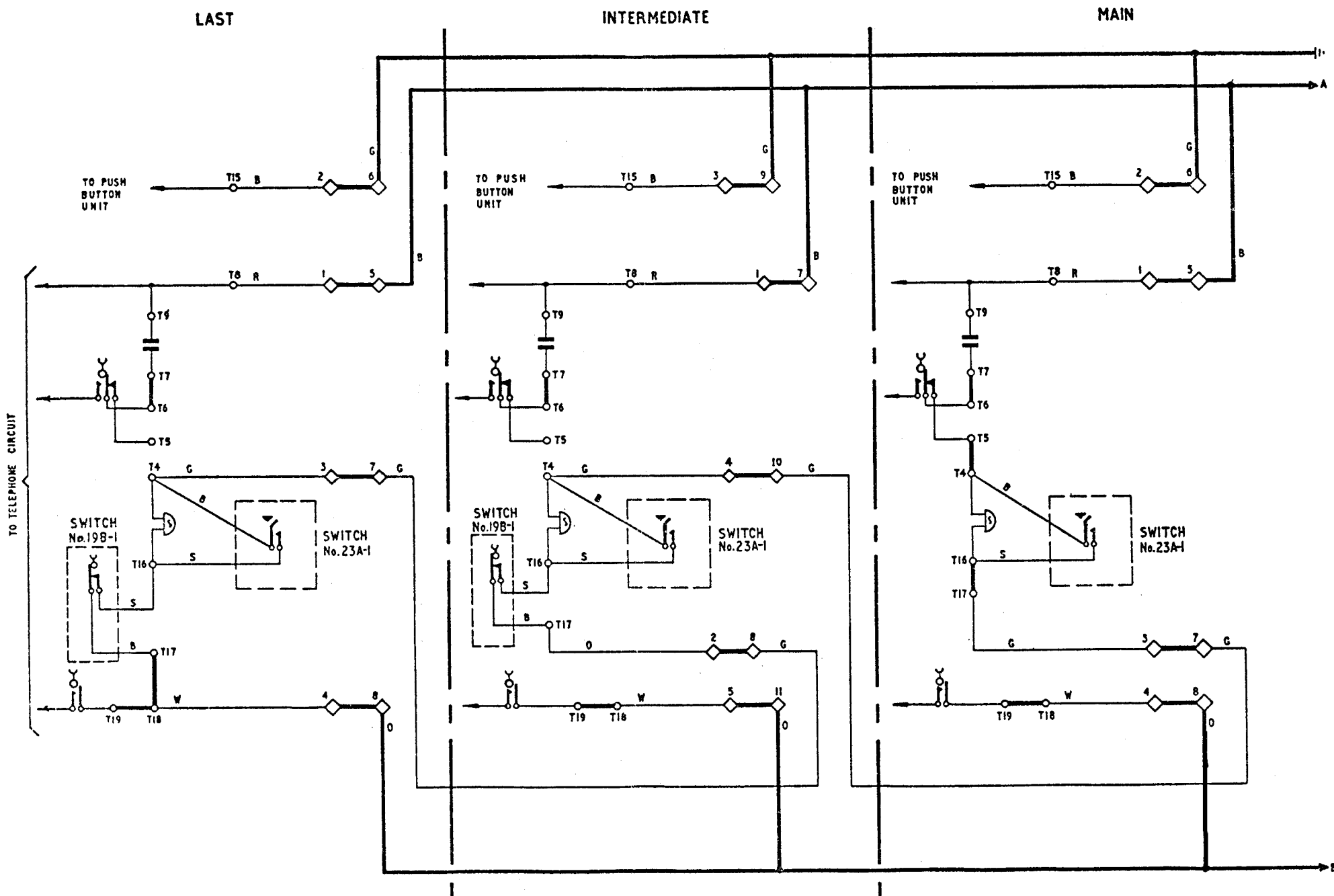
Fit Switch No. 23A-1, Part 2/DBU/362. Two Parts 1/DPI/203 and Switch No. 19B-1.

**Extension Bell.**

If required at main station, remove strap BT3-BT7.

Transfer green cable wire from BT3 to BT7. Connect Bell using Cable 2w between BT.3 and BT.7.

FIG.7 KEYPHONE DC PLAN 1A  
SCHEMATIC





## KEYPHONE DC PLAN 2

SA (L) 4252  
PAGE 9  
ISSUE C

### NOTES:-

#### 9.1 APPARATUS REQUIRED

##### ALL STATIONS:-

Telephone 2/SA 4252  
Cord, Inst. 9/21 AD  
Block Terminal 368  
Terminal Strip 2/DST/836  
Springset 1/DSP/1243  
Switch 198-1  
Press Button 1/DBU/372

##### ADDITIONALLY AT MAIN:-

Capacitor 7712-2

- 9.2 All telephones are similar except that capacitor 7712-2 is fitted in place of link T16-T17 at MAIN telephones.
- 9.3 Fit press button 1/DBU/372 and springset 1/DSP/1243 in position A. Set Latch A to setting 1 and latches X and Y to setting 4. (See diagram N848.)
- 9.4 The main telephone on each line must precede all extensions with the same home line. (i.e. line obtained without operating springset K.) Subsequent telephones can be connected in any order.
- 9.5 Link terminals BT1-BT2 and BT10-BT11 in block terminals of MAIN telephones.
- 9.6 Link terminals BT3-BT4 and BT8-BT9 in block terminal of LAST telephone.
- 9.7 The line pairs and earth can be connected at any convenient block terminal.

FIG.9 KEYPHONE DC PLAN 2 (CONTINUED ON PAGE 11)

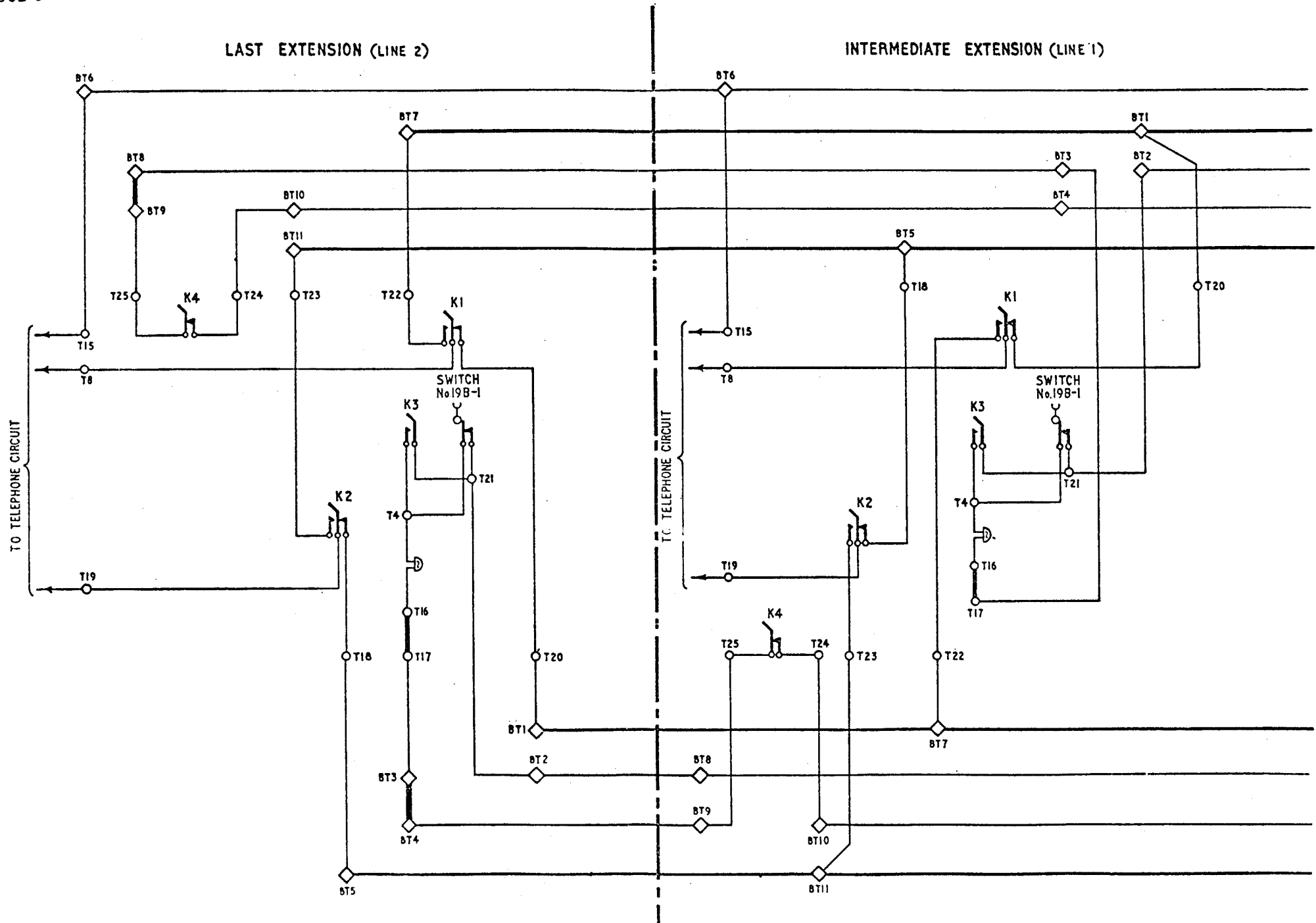


FIG.9 KEYPHONE DC PLAN 2 (CONTINUED FROM PAGE 10)

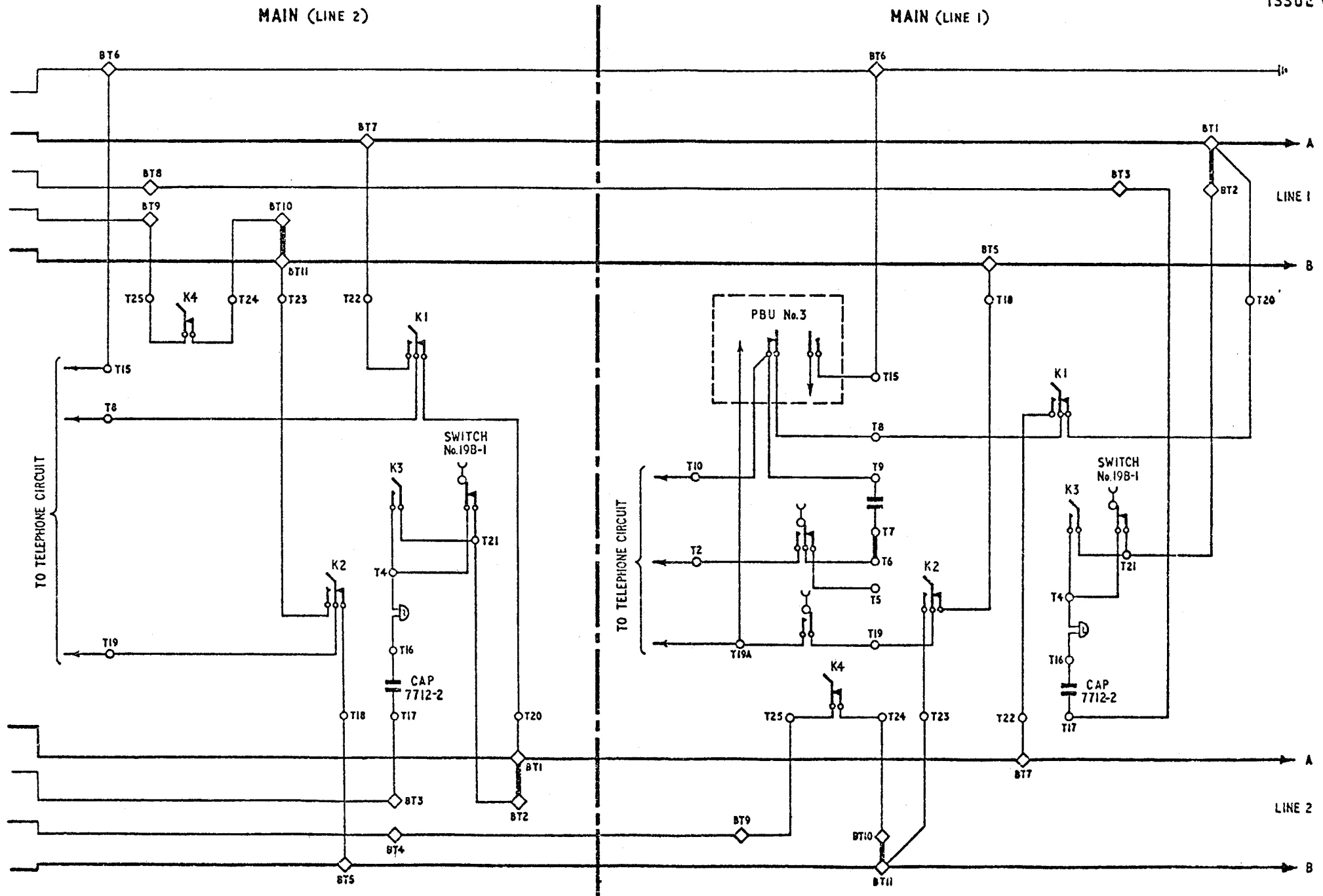
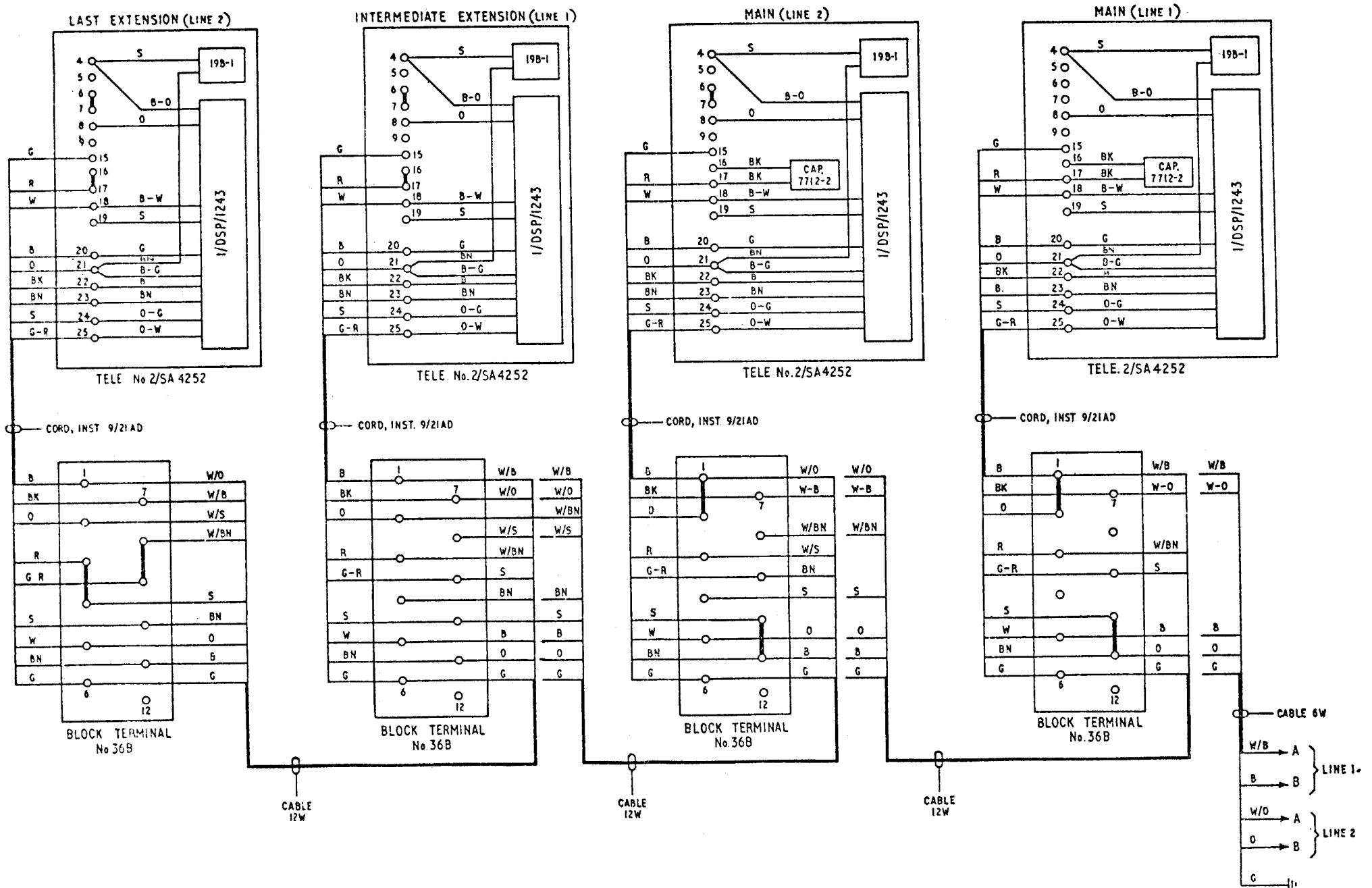
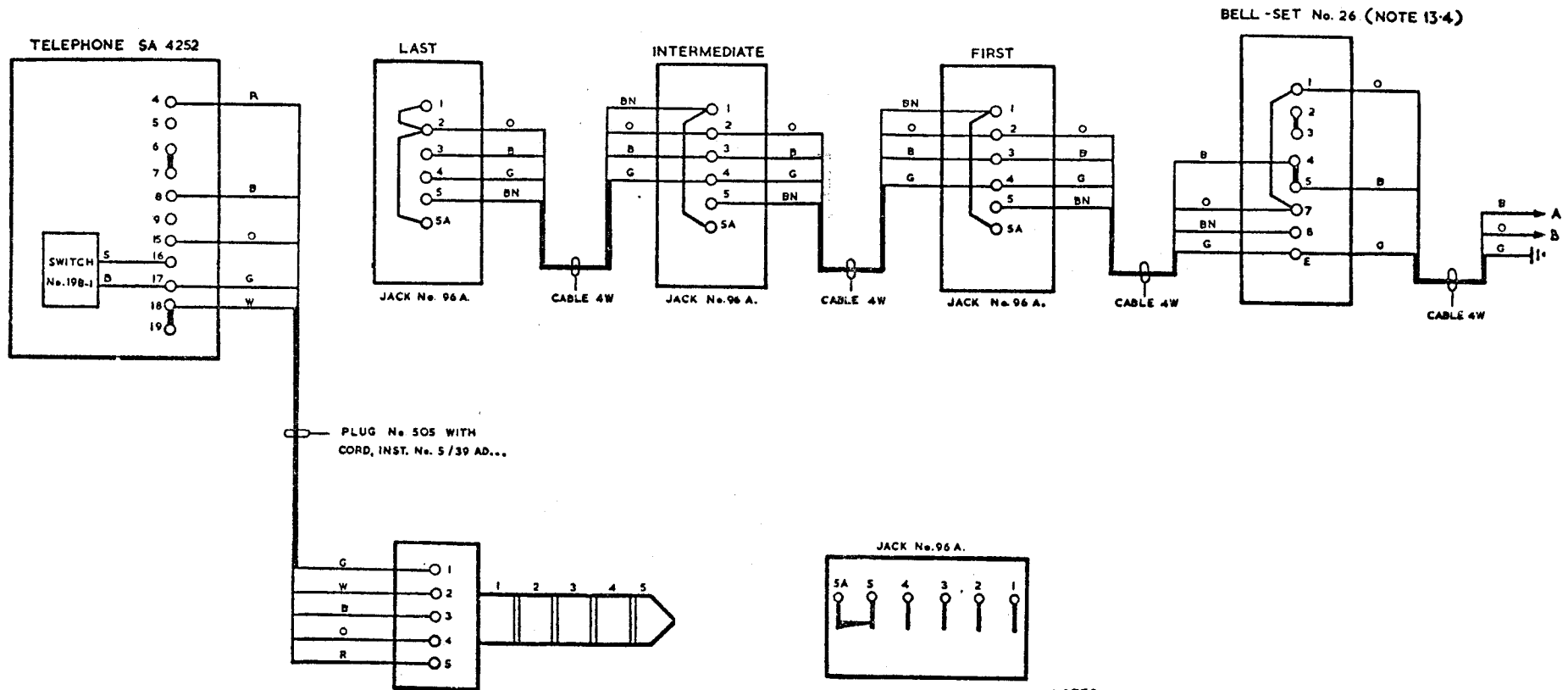


FIG. 8 KEYPHONE DC PLAN 2





- NOTES:-
- 13-1 In all Telephones  
Fit Switch No.19 B-1.  
Remove Cord Inst.No.4/121AT and fit Plug No.505, with Cord Inst.No.5/39 AD...
  - 13-2. The Exchange line and earth may be connected to a jack if more convenient.
  - 13-3. If an extension bell is required, connect in place of strap B2-B3 of Bell set, using cable 2w.
  - 13-4. B1-B7 are permanently connected in the Bell-Set No.26.

SA(L)4252

PAGE 14

ISSUE C

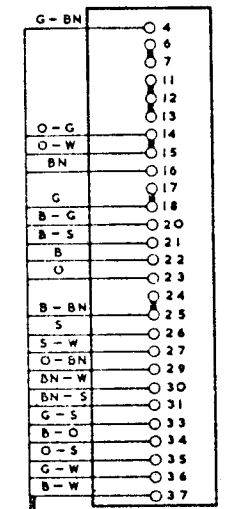
SPARE

FIG. II CABLING OF KEYPLAN 105/105A

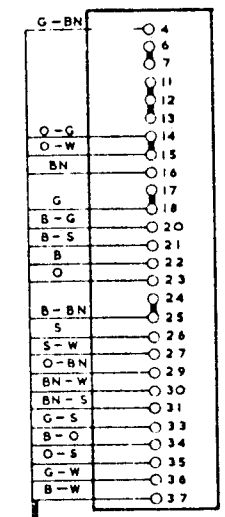
NOTES:-

- 15-1 As supplied, the instruments are wired to provide sequential secrecy (Plan 105A). If non-secrecy is required (Plan 105) Strap BT 6-7 and BT 14-15 at instruments.
- 15-2 Extension Instruments. LI not required. Isolate by moving green spade ended wire from T26 to T29. C3 not required. Isolate by moving black spade ended wire from T34 to T4.
- 15-3 Extension Bells. Any station may be fitted with an extension bell. Where required remove incoming cable wire from BT 20, connect to BT 21. Connect bell between BT 20 and B.T.21 using cable 2W.
- 15-4 Power Unit No.53A. This may be fitted at any convenient station.

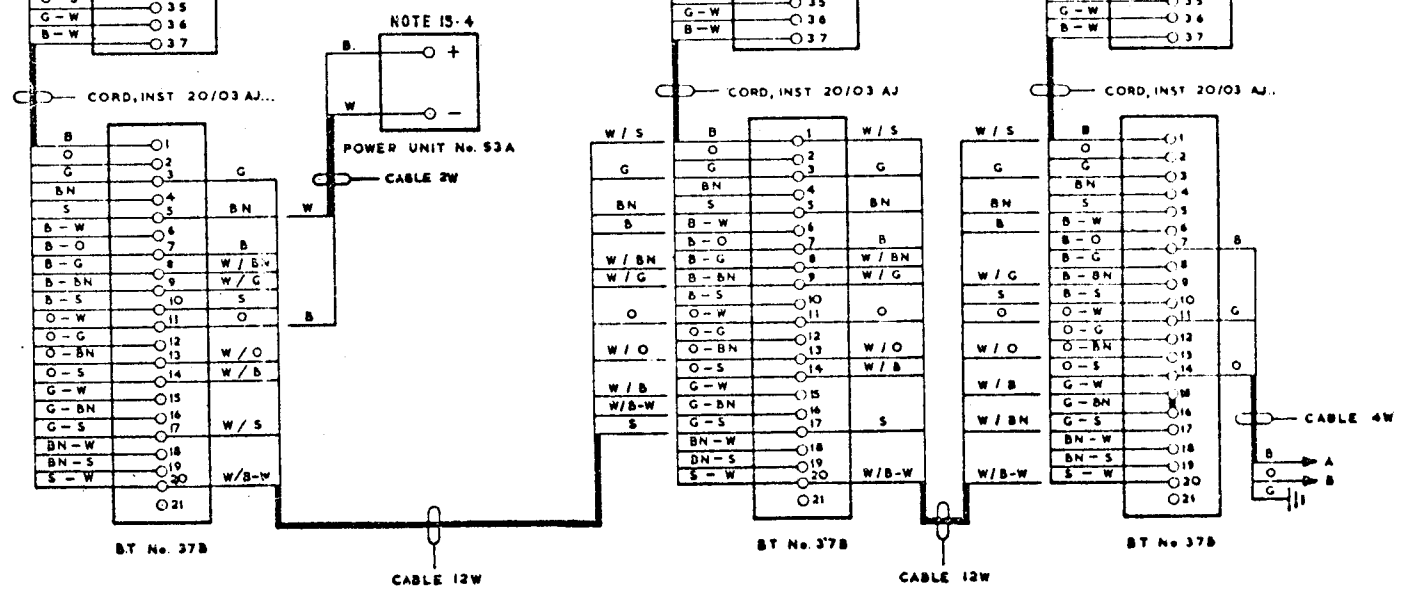
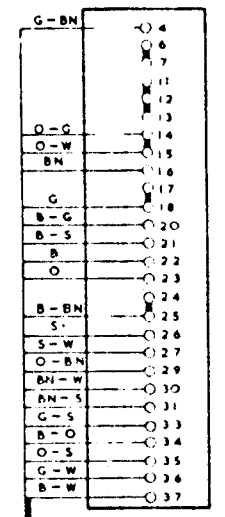
**MAIN**  
TELEPHONE 1/SA 4252



**EXTENSION 2**  
TELEPHONE 1/SA 4252

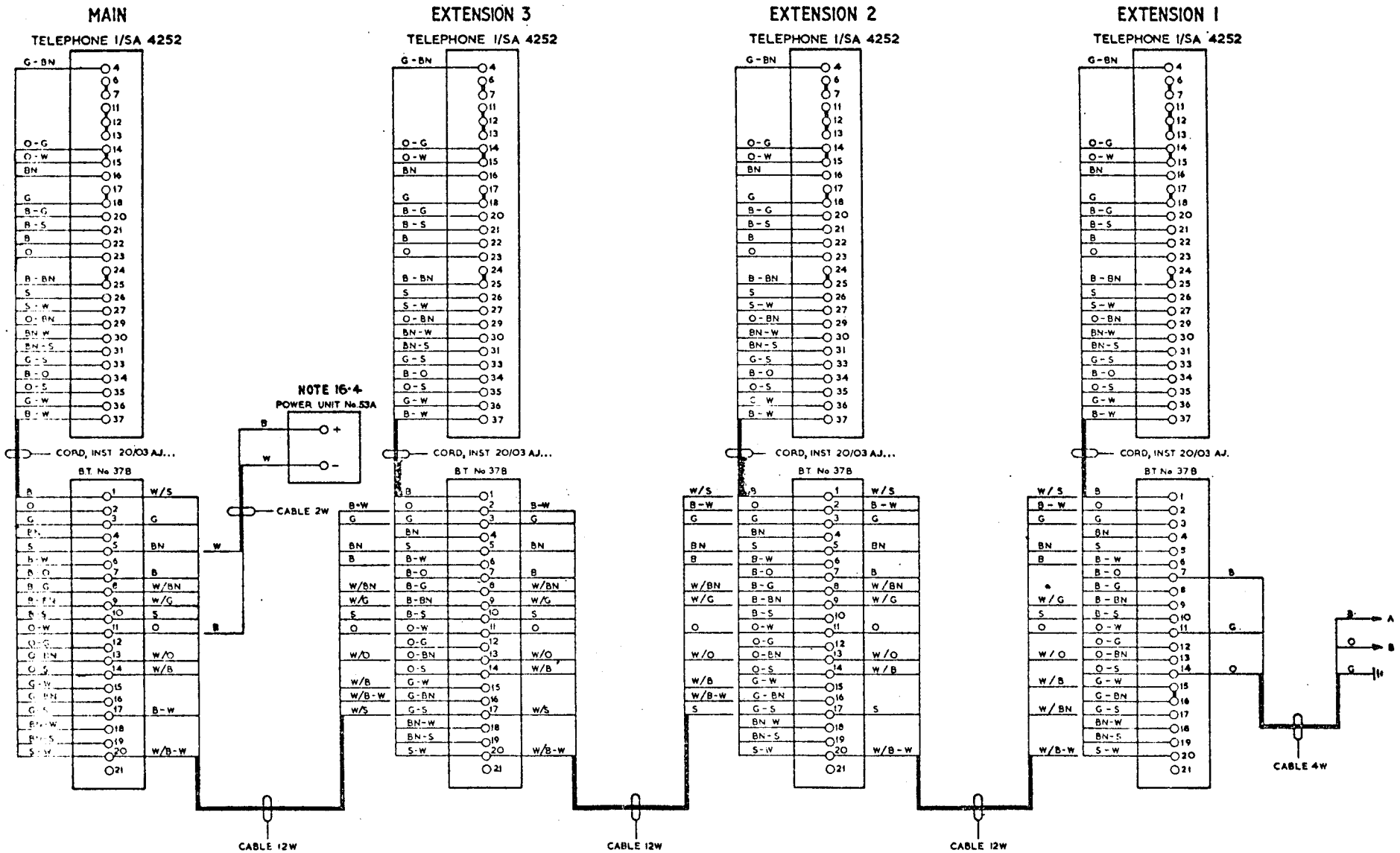


**EXTENSION 1**  
TELEPHONE 1/SA 4252



P.O. TELECOMMS. HQRS.	ISSUE		
		C PAGES 24-27 ADDED. MADE YELLOW. <i>mjl</i>	26.9.75
PAPER:- Y			
DISTN. - GENERAL			

FIG.12 CABLING OF KEYPLAN 105/105A WITH ADDITIONAL STATION



NOTES:-

16-1 As supplied, the instruments are wired to provide sequential secrecy (Plan 105A). If non secrecy is required (Plan 105) strap BT.6-7 and BT.14-15 at extension instruments.

16-2 Extension Instruments. L1 not required. Isolate by moving green spade ended wire from T.26 to T.29.

C3 not required. Isolate by moving black spade ended wire from T.34 to T.4.

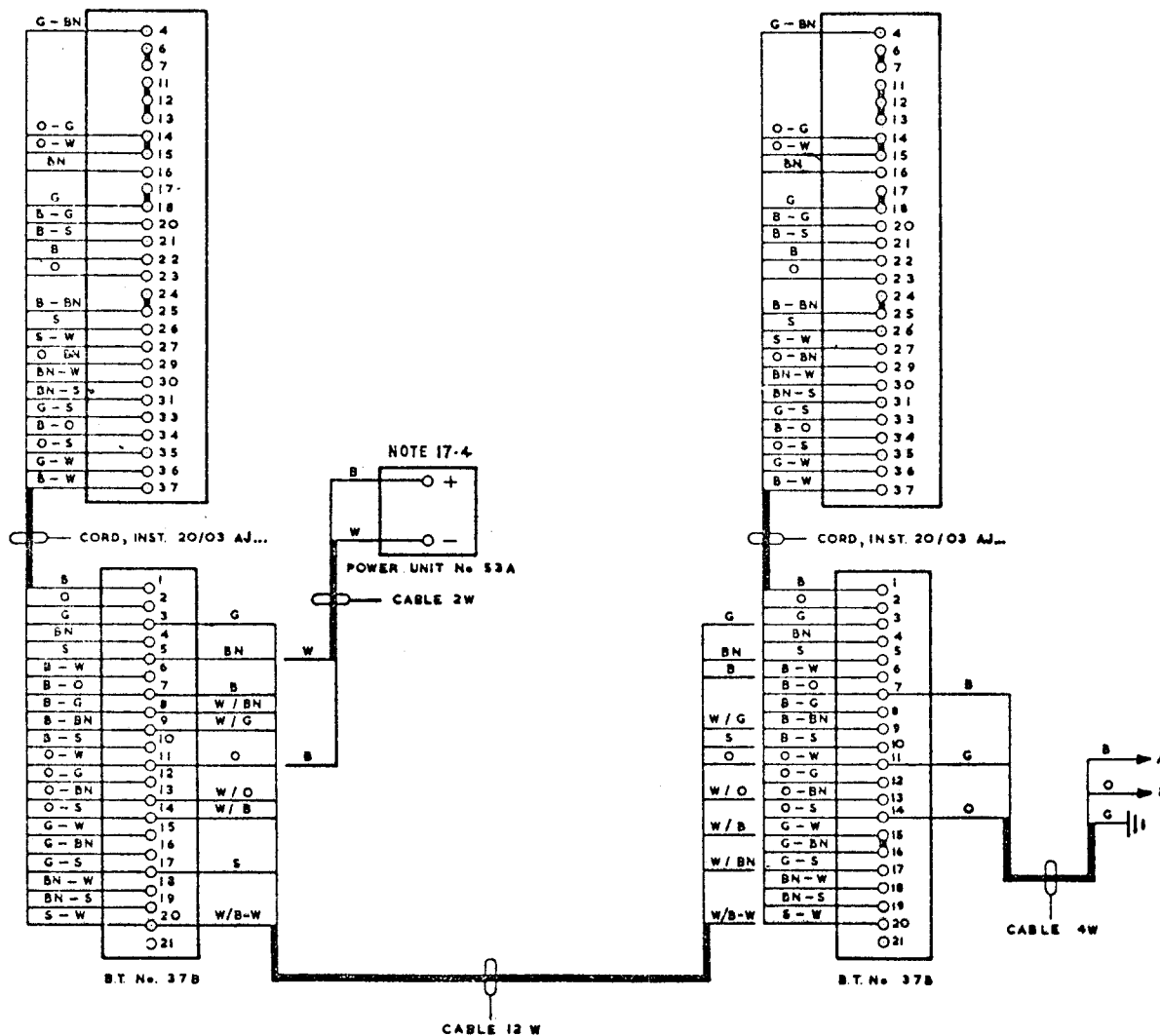
16-3 Extension Bells. Any station may be fitted with an extension bell. Where required remove incoming cable wire from BT.20 and connect to BT.21. Connect bell between BT.20 and BT.21 using Cable 2W.

16-4 Power Unit No.53A This may be fitted at any convenient station.



**MAIN (SECRETARY)**  
TELEPHONE 1/SA 4252

**EXTENSION (EXECUTIVE)**  
TELEPHONE 1/SA 4252



**NOTES:-**

- 17-1 As supplied, the instruments are wired to provide sequential secrecy (Plan 107A). If non-secrecy is required (Plan 107) strap BT. 6-7 and BT. 14-15 at extension instrument.
- 17-2 Extension Instruments.—L1 not required. Isolate by moving green spade ended wire from T26 to T29.  
C3 not required. Isolate by moving black spade ended wire from T34 to T4.

- 17-3 Extension Bells. Any station may be fitted with an extension bell. Where required remove incoming cable wire from BT. 20. and connect to BT. 21. Connect bell between BT.20 and BT.21 using cable 2W.
- 17-4 Power Unit No. 53A. This may be fitted at any convenient station.

SA(L) 4252

PAGE 18  
ISSUE C

SPARE

19.1 APPARATUS REQUIRED

KEYPHONE DC PLAN 105/105A

MAIN

Telephone SA 4252  
 Planset N625  
 Switch No. 19D-1  
 Power-Unit No. 53A  
 Capacitor No. 7712-2 & Clip No. 90

EACH INTERNAL EXTENSION

Telephone SA 4252  
 2 Switches No. 5A-4  
 Parts 4 & 5/DBU/363  
 2 Parts 1/DP1/203  
 2 Parts 1/DPL/1022  
 Buzzer No. 32C-3  
 Cord Inst. No. 9/21 AD...  
 Block Terminal No. 36B

KEYPHONE DC PLAN 107/107A

MAIN WITH INTERNAL EXTENSION

As for Plan 105/105A Main

INTERNAL EXTENSION

Telephone SA 4252  
 Switch No. 5A-4  
 Part 1/DBU/362  
 2 Part 1/DP1/203  
 1 Part 1/DPL/1022  
 Buzzer No. 32C-3  
 Cord, Inst. No. 6/61 AT...  
 Switch No. 19B-1  
 Block Terminal No. 35A

MAIN WITH EXTERNAL EXTENSION

As for 105 Main, in addition  
 Fit Switch 19C-1 instead of 19D-1  
 Converter Ringing No.9A

EXTERNAL EXTENSION

Telephone SA 4252  
 Switch No. 5A-4  
 Switch No. 19B-1  
 Part 1/DBU/362  
 2 Part 1/DP1/203  
 1 Part 1/DPL/1022  
 Capacitor No. 7712-2 & Clip No. 90

9.2 The diagrams show the connexions for a Plan 105A and Plan 107A:  
 For Plan 105 or KDC 107 remove Planset Strap 18-19 and transfer  
 B-w (from T17) From 25 to 24.

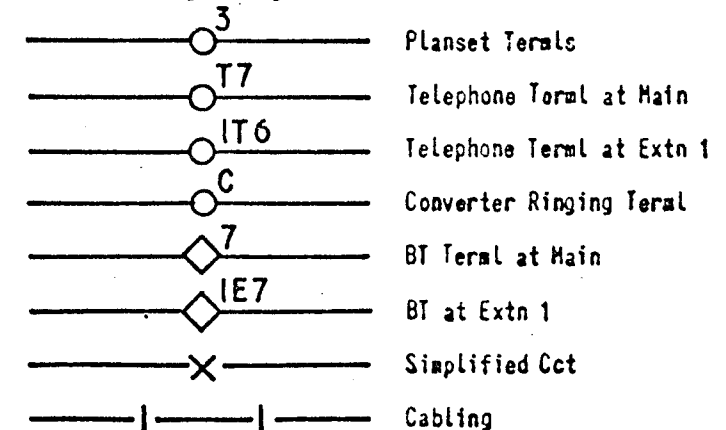
19.3 EXTN BELL AT MAIN WITH INTERNAL EXTN

Remove strap between Planset Terminals 6-7 and fit bell between  
 BT6 & 7.

EXTN BELL AT MAIN WITH EXTERNAL EXTN

Remove strap between Planset Terminals 7-8 and transfer earth from  
 BT7 to BT5 and connect bell between BT5 & 7.

19.4 Schematic Diagram Legends.



O. ELECOMMS. QRS. APER:-W DISTN.:- GENERAL	ISSUE		
		C	PAGES 24 27 ADDED. PAGES 3,4,15-18,25 AND 26 MADE YELLOW 7/9/75 TD 7-1-2

FIG.14 KEYPHONE, DC PLAN 105/105A  
MAIN WITH TWO INTERNAL EXTENSIONS CABLING

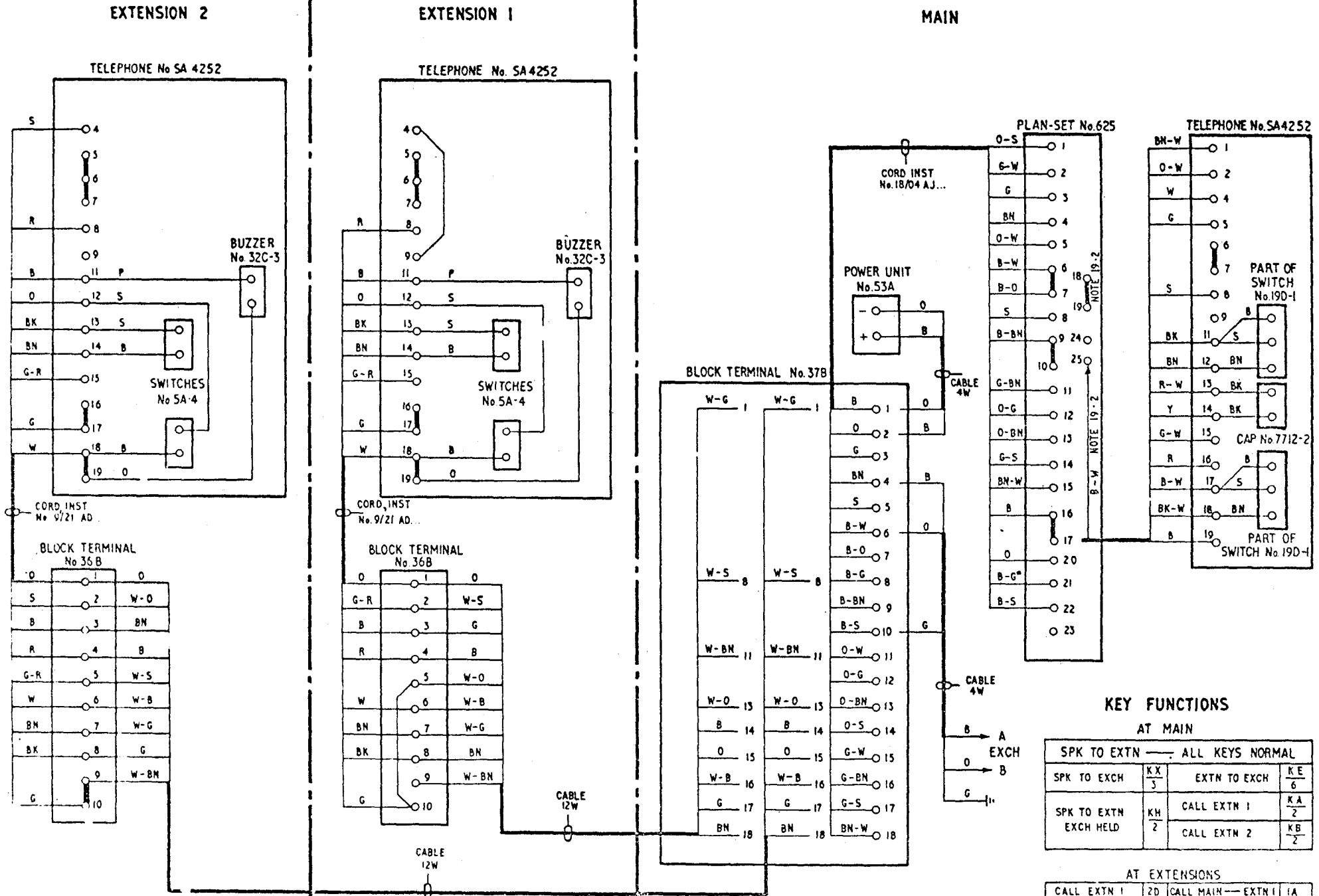


FIG. 1

KEY FUNCTIONS

AT MAIN

SPK TO EXTN — ALL KEYS NORMAL			
SPK TO EXCH	KX 5	EXTN TO EXCH	KE 6
SPK TO EXTN	KH 2	CALL EXTN 1	KA 2
EXCH HELD		CALL EXTN 2	KB 2

AT EXTENSIONS

CALL EXTN 1	2D	CALL MAIN — EXTN 1	1A
CALL EXTN 2	1D	CALL MAIN — EXTN 2	2A

FIG. 15 KEYPHONE DC PLAN 105/105A  
MAIN WITH 2 INTERNAL EXTNS SCHEMATIC

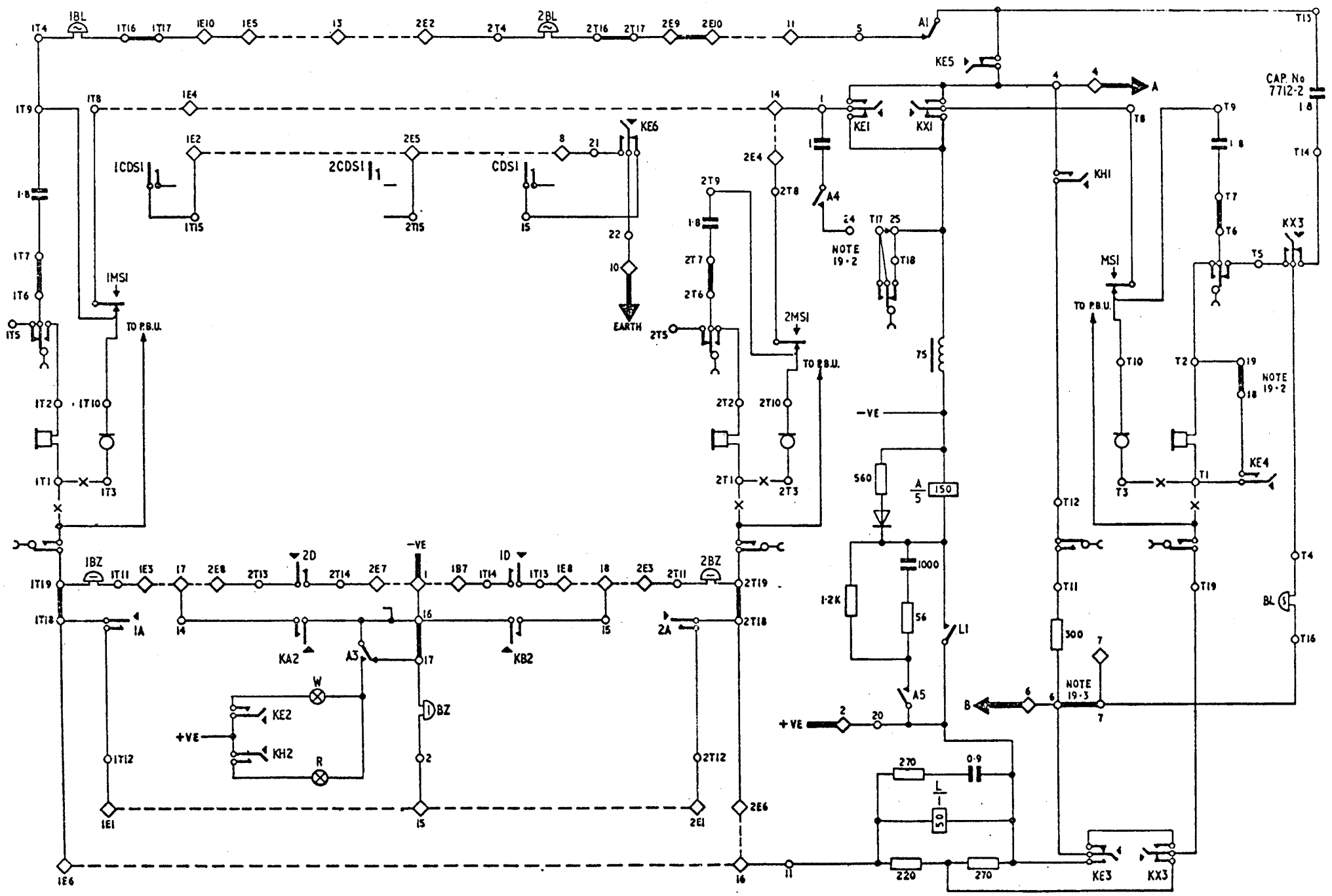
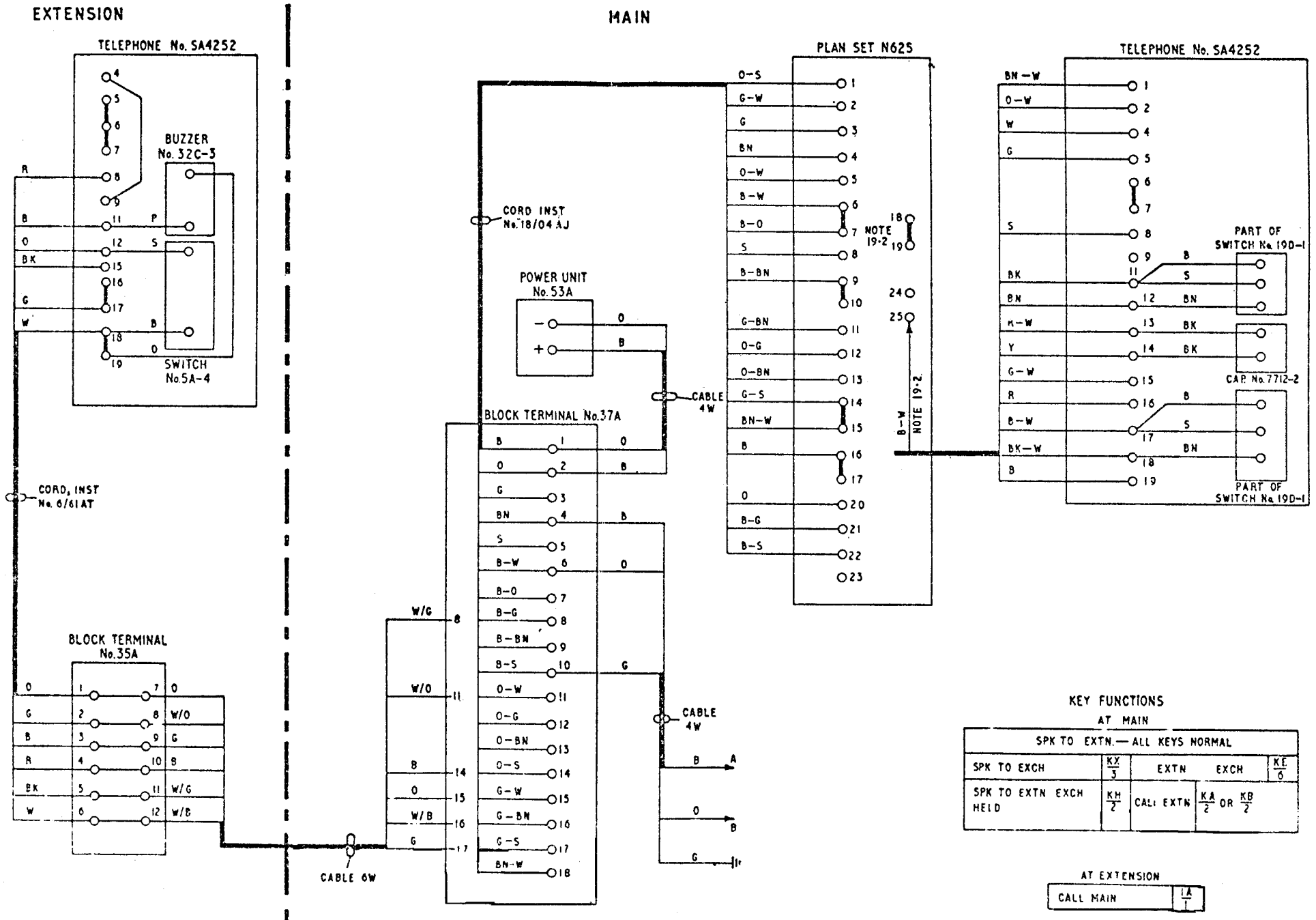


FIG.16 KEYPHONE DC PLAN 107/107A  
MAIN WITH INTERNAL EXTENSION, CABLING



**KEY FUNCTIONS**

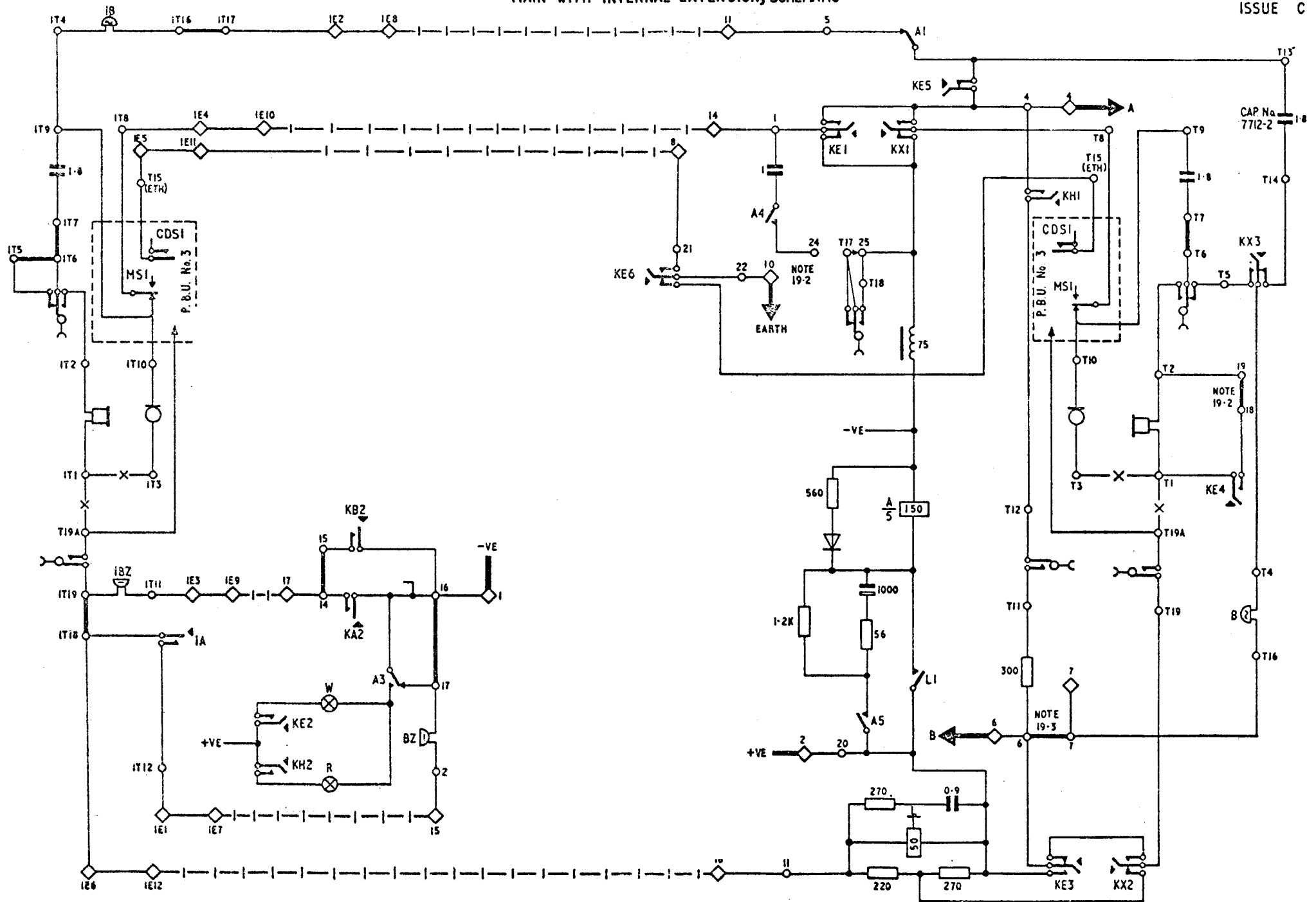
**AT MAIN**

SPK TO EXTN.— ALL KEYS NORMAL				
SPK TO EXCH	$\frac{KX}{3}$	EXTN	EXCH	$\frac{KE}{0}$
SPK TO EXTN EXCH HELD	$\frac{KH}{2}$	CALL EXTN	$\frac{KA}{2}$ OR $\frac{KB}{2}$	

**AT EXTENSION**

CALL MAIN	$\frac{IA}{T}$
-----------	----------------

FIG.17 KEYPHONE DC PLAN 107/107A  
 MAIN WITH INTERNAL EXTENSION, SCHEMATIC



SA(L)4252

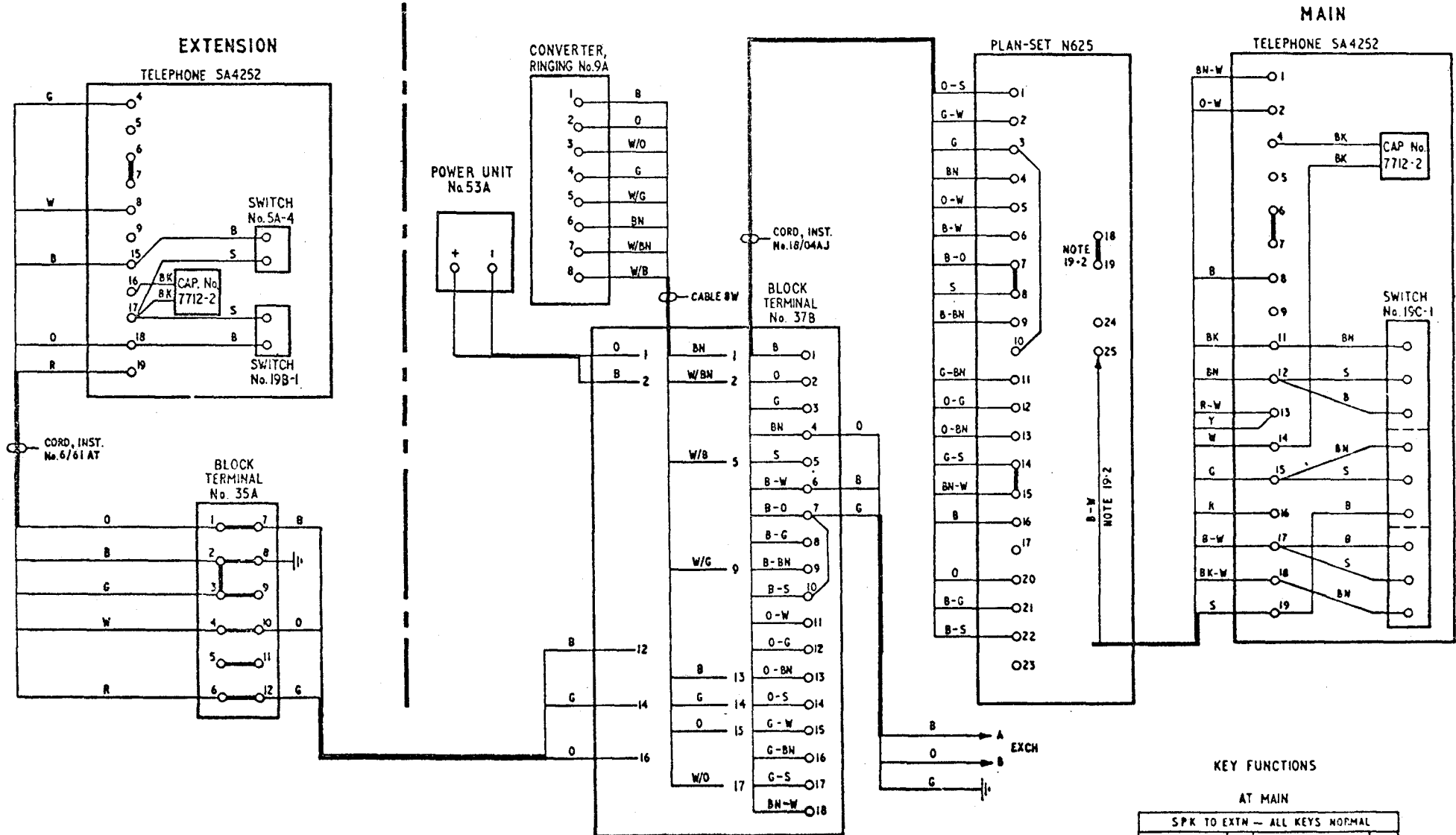
PAGE 24

ISSUE C

SPARE



FIG.18 KEYPHONE DC PLAN 107/107A  
MAIN WITH EXTERNAL EXTENSION CABLING



KEY FUNCTIONS

AT MAIN

SPK TO EXTN - ALL KEYS NORMAL			
SPK TO EXCH	KX 3	EXTN TO EXCH	KE 6
SPK TO EXTN EXCH HELD	KH 2	CALL EXTN	KA 2 OR KB 2

AT EXTENSION

CALL MAIN	IS 1
-----------	---------

P.O. TELECOMMS. HQRS.			
PAPER:-Y	ISSUE		
DISTN.:-GENERAL		C PAGES 24-27 ADDED.MADE YELLOW. 11/94	26-9 75

FIG.19 KEYPHONE DC PLAN 107/107A  
MAIN WITH EXTERNAL EXTENSION SCHEMATIC

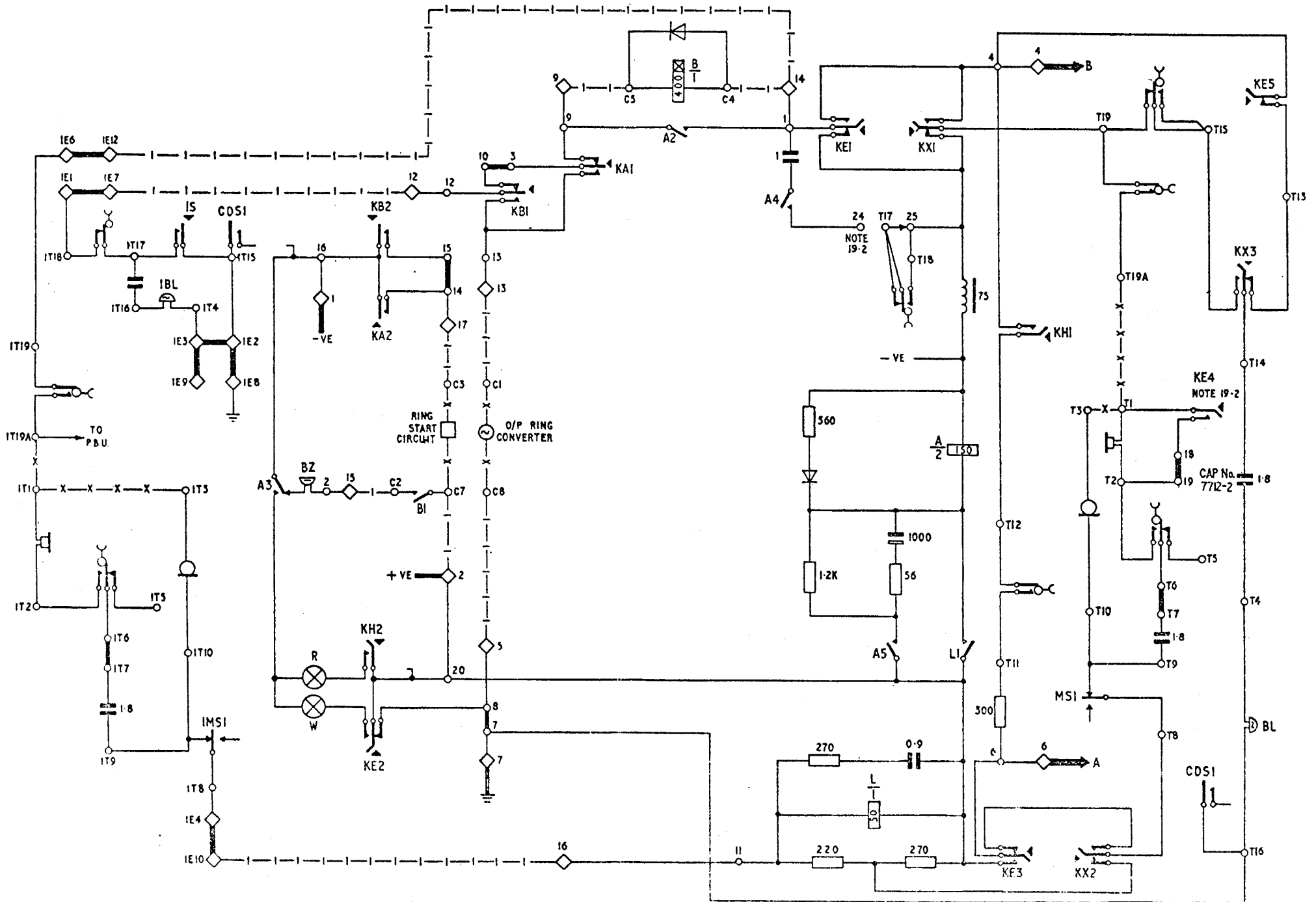
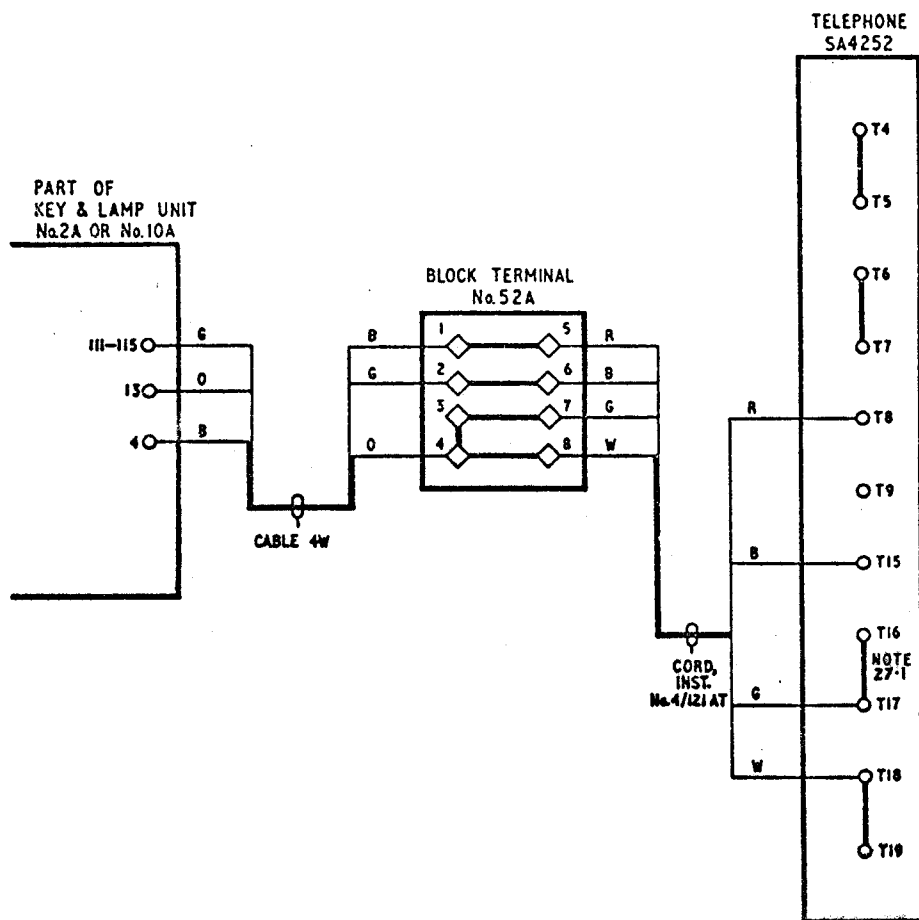


FIG.20 KEY AND LAMP UNIT No.2A OR No.10A USING TELEPHONE SA4252



NOTE:-

27-1 If bell is not required in telephone remove Strap T16-T17

P.O. TELECOMMS. HQ.RS.	ISSUE		
PAPER:- W			
DISTN:- GENERAL		C	PAGES 24-27 ADDED. PAGES 3,4,15-18, 25 AND 26 MADE YELLOW. <i>2/11</i>