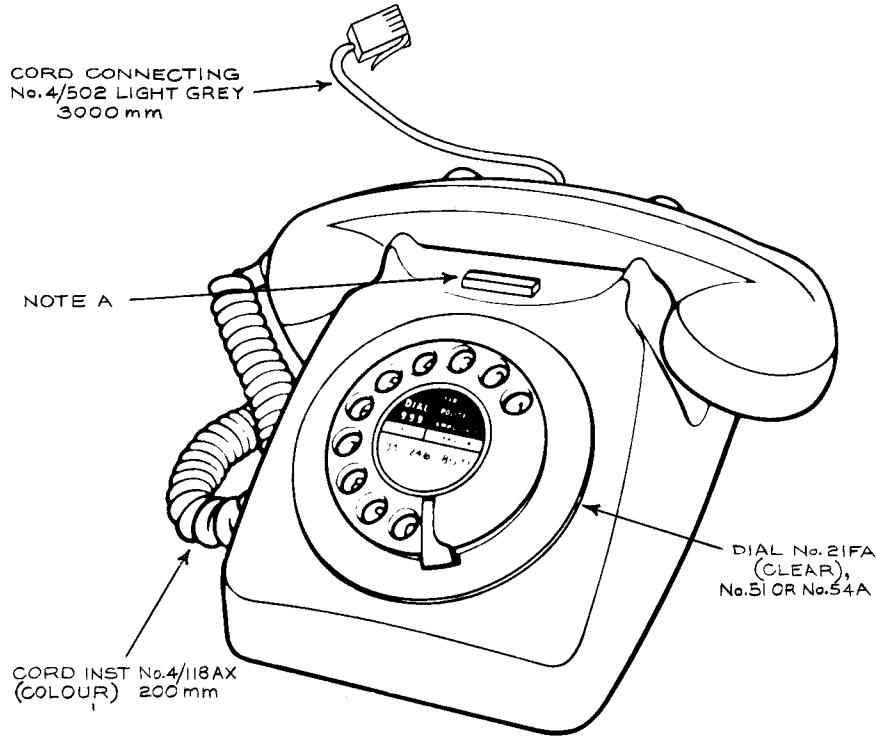


TELEPHONE Nos. 8746C, D, F, G, GR & R  
TABLE TELEPHONES:—No. 8746F & G WITH PROVISION FOR ONE OR TWO PRESS-BUTTONS  
FOR USE ON AUTO SYSTEMS. No. 8746R & GR ARE FOR USE ON PBX'S WITH RECALL ONLY. NOTE A

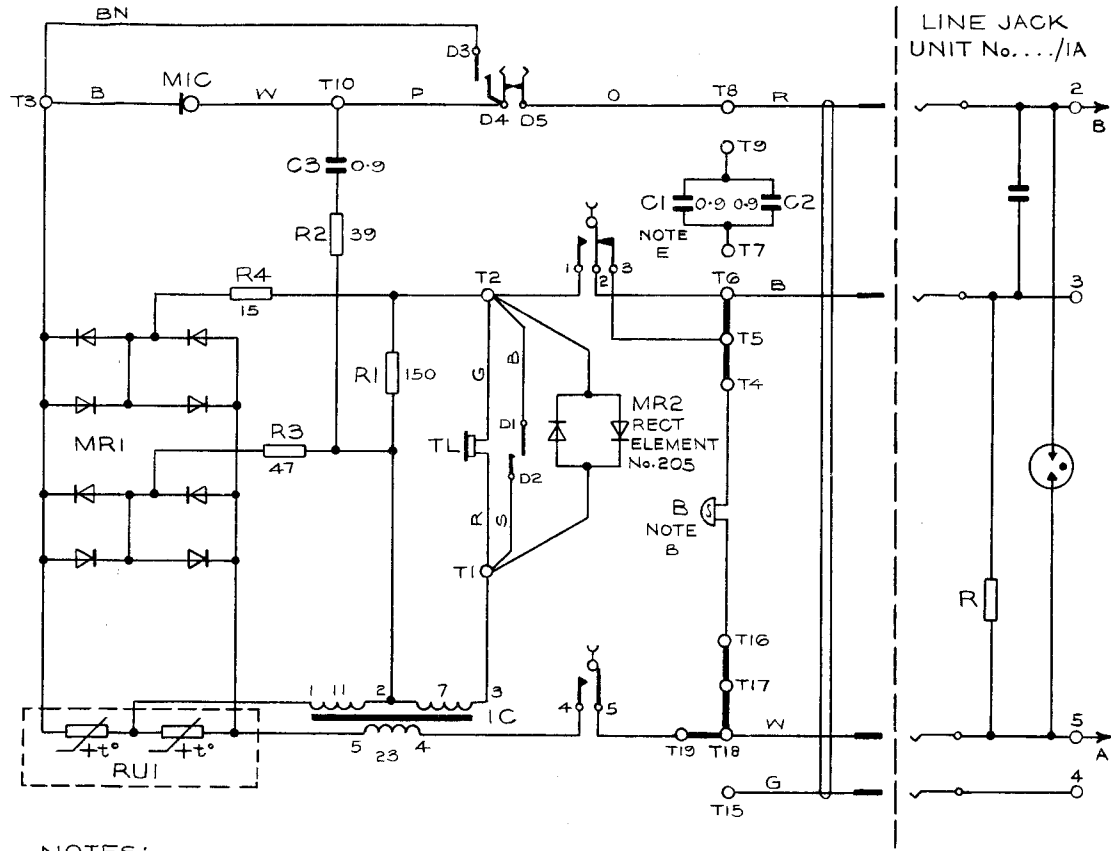


CONTENTS

TELEPHONE No. 8746F OR G CIRCUIT DIAGRAM SHOWING CONNEXIONS AS ISSUED . . . . . FIG.1  
TELEPHONES No. 8746F OR G & No. 8746R OR GR 2-WIRE PBX EXTENSIONS WITH RECALL . . . . . FIG.2  
TELEPHONES No. 8746F OR G & No. 8746R OR GR PMBX WITH ADDITIONAL SIGNALLING C-WIRE . . . . . FIG.3  
TELEPHONE No. 8746C & D. CIRCUIT DIAGRAM SHOWING CONNEXIONS AS ISSUED . . . . . FIG.4

© BRITISH TELECOMMUNICATIONS 1982

FIG.1 TELEPHONE No. 8746F OR G CIRCUIT DIAGRAM SHOWING CONNEXIONS AS ISSUED



NOTES:—

- A TELEPHONE No. 8746R AND No. 8746GR ARE SUPPLIED COMPLETE WITH A BUTTON ENGRAVED 'RECALL' AND A SWITCH No. 5A\*4. SEE FIG.2 FOR CONNEXIONS AS ISSUED.
- B TELEPHONE No. 8746F HAS A BELL No. 59C-1 (1kΩ D.C. RESISTANCE). TELEPHONE No. 8746G HAS A BELL No. 59D-1 (4kΩ D.C. RESISTANCE).
- C WHEN AN EXTENSION BELL IS REQUIRED, IT SHOULD BE CONNECTED TO TERMINALS 3 AND 5 OF THE LINE JACK UNIT.
- D WITH THE EXCEPTION OF THE HANDSET, DIAL AND BELL, ALL COMPONENTS ARE MOUNTED ON A PRINTED WIRING BOARD. THE COMPLETE UNIT IS AVAILABLE FOR MAINTENANCE REPLACEMENT AS A TELEPHONE-UNIT D92732.
- E C1 AND C2 MAY CONSIST OF TWO 0.9μF CAPACITORS AS SHOWN, OR A SINGLE 1.8 μF CAPACITOR. C1 AND C2 MAY BE OMITTED.

BRITISH TELECOMMS HQRS			
PAPER:—W	ISSUE		
DISTRIBUTION:—GENERAL		PD 1-3	5-1-82

FIG.2 2-WIRE PBX EXTENSIONS WITH RECALL TELEPHONE No.8746R OR GR CONNEXIONS AS ISSUED

USING:—

TELEPHONE No.8746R OR GR }  
OR }  
TELEPHONE No.8746F OR G }  
SWITCH No.5A-4 (SA) }  
PART 1/DBU/362 }  
PART 1/DPL/1022 }  
2 PARTS 1/DPI/203 }

NOTE A

NOTES:—

- A USE TELEPHONE No.8746R OR GR IF AVAILABLE IN THE REQUIRED COLOUR, ALTERNATIVELY USE TELEPHONE No.8746F OR G AND FIT THE PARTS LISTED.
- B WHEN EXTENSION BELL IS REQUIRED, IT SHOULD BE CONNECTED TO TERMINALS 3 AND 5 OF THE LINE JACK UNIT.
- C TELEPHONE No.8746R HAS BELL No.59C-1 (1k RESISTANCE). TELEPHONE No.8746GR HAS BELL No.59D-1 (4k RESISTANCE).

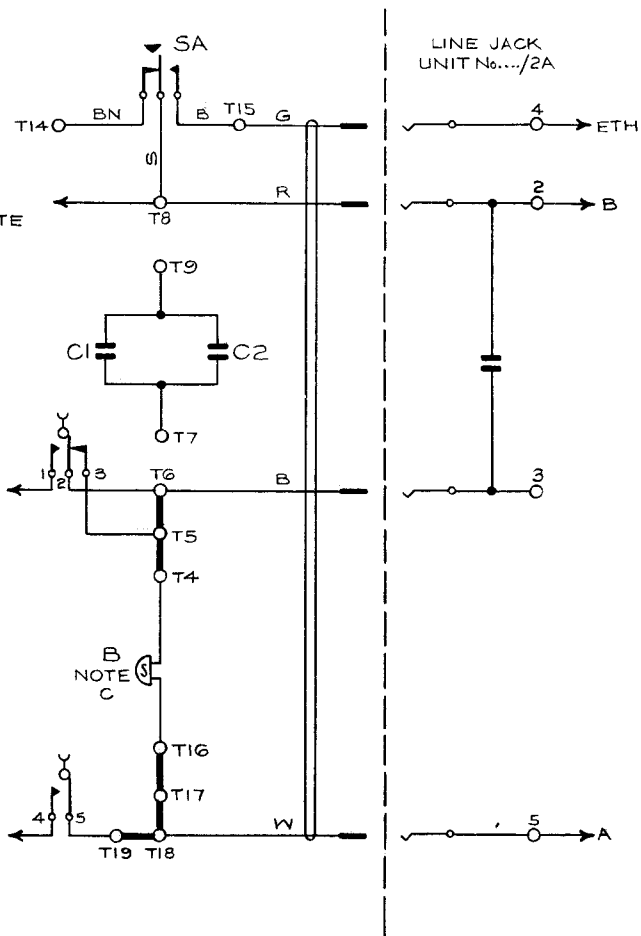


FIG.3 PMBX WITH ADDITIONAL SIGNALLING C-WIRE (PMBX 2/... AND 3/... NOTE C)

USING:—

TELEPHONE No.8746R OR GR }  
SWITCH No.36A-1 (SB) }  
OR }  
TELEPHONE No.8746F OR G }  
SWITCH No.5A-4 (SA) }  
PART 1/DBU/362 }  
PART 1/DPL/1022 }  
2 PARTS 1/DPI/203 }  
SWITCH No.36A-1 (SB) }

NOTE A

NOTES:—

- A REMOVE CORD CONNECTING No.4/502.. AND FIT CORD CONNECTING No.6/502..
- B THE SWITCH No.5A-4 IN A TELEPHONE No.8746R OR GR MUST BE REARRANGED TO ACCORD WITH THE DIAGRAM.
- C FOR 2-WIRE EXTENSIONS USING UAA No.96 OR No.96A WIRE THE TELEPHONE TO FIG.2 OR USE TELEPHONE No.8746R OR GR AS ISSUED.

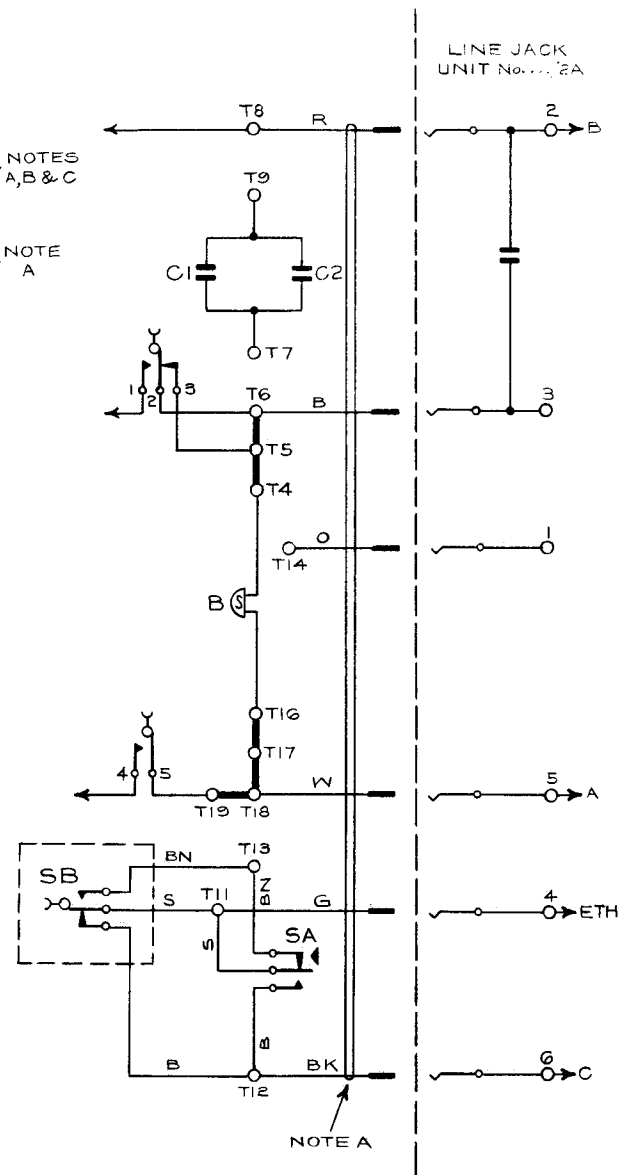
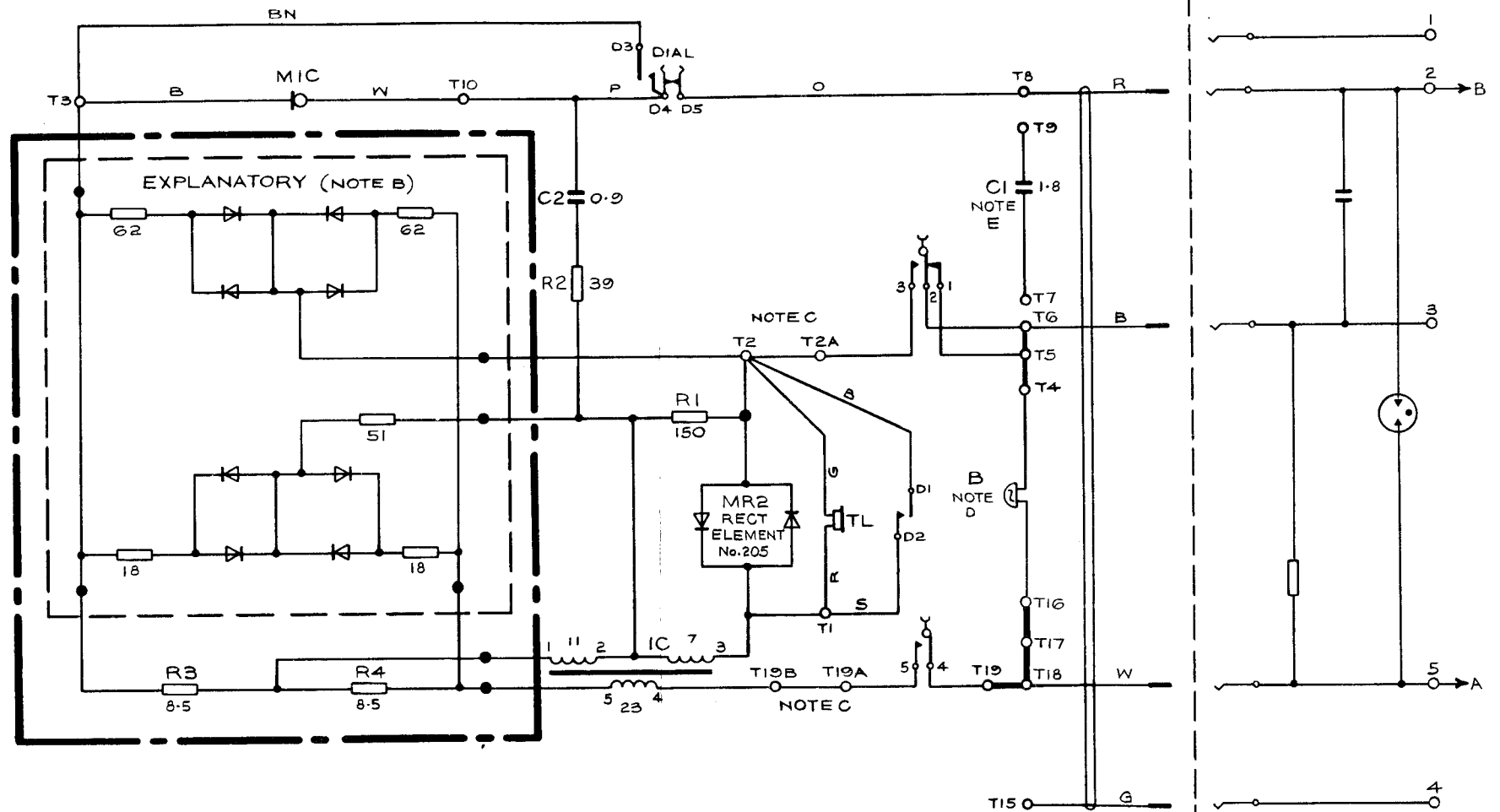


FIG.4 TELEPHONE Nos. 8746C & D CIRCUIT DIAGRAM SHOWING CONNEXIONS AS ISSUED (NOTE A)



NOTES :-

- A THE TELEPHONE No.8746C OR D IS INTERCHANGEABLE WITH THE TELEPHONE No.8746F OR G. NOTE C OF FIG.1 APPLIES TO FIG.4.
- B THE PRINTED WIRING BOARD, TELEPHONE UNIT D04244, WILL EITHER HAVE A MICRO CIRCUIT D4529 (SHOWN - - -) OR A REGULATOR No.11A (SHOWN - - -) MOUNTED ON IT.
- C TERMINALS T2A, T19A AND T19B ARE PROVIDED BUT ARE NOT USED. (THE TERMINALS ARE USED IN "8746 STYLE" PUSH BUTTON TELEPHONES).
- D TELEPHONE No.8746C HAS A BELL No.59C-1 (1kΩ D.C. RESISTANCE). TELEPHONE No.8746D HAS A BELL No.59D-1 (4kΩ D.C. RESISTANCE).
- E C1 MAY BE OMITTED.