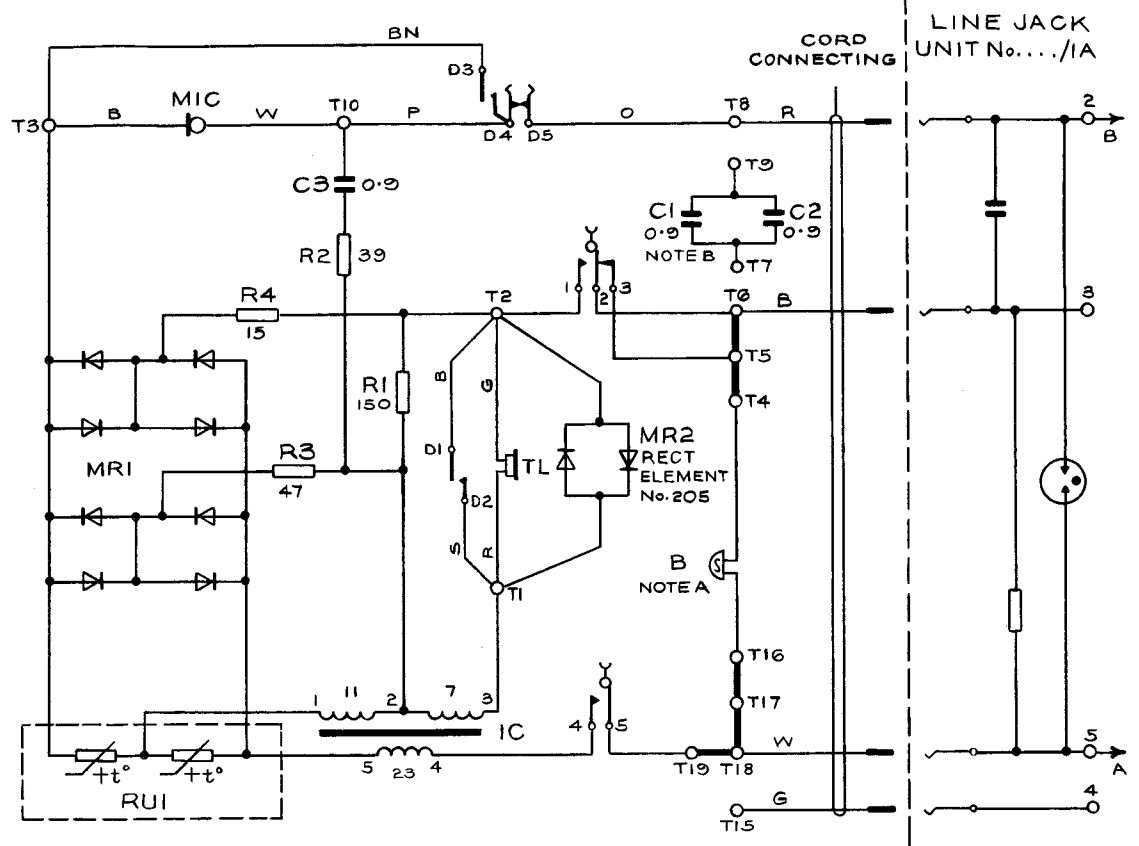


FIG.1 CIRCUIT DIAGRAM SHOWING CONNEXIONS AS ISSUED



CONTENTS

CIRCUIT DIAGRAM SHOWING CONNEXIONS AS ISSUED. FIG.1
 2-WIRE PBX EXTENSIONS WITH RECALL FIG.2
 PMBX WITH ADDITIONAL SIGNALLING C-WIRE. FIG.3
 FITTING SWITCH No. 5A-3 FIG.4

NOTES:—

- A TELEPHONE No. 874IF HAS A BELL No. 59C-1 (1kΩ D.C. RESISTANCE). TELEPHONE No. 874IG HAS A BELL No. 59D-1 (4kΩ D.C. RESISTANCE).
- B C1 AND C2 MAY CONSIST OF TWO 0.9μF CAPACITORS AS SHOWN, OR A SINGLE 1.8μF CAPACITOR. C1 AND C2 MAY BE OMITTED.
- C WHEN AN EXTENSION BELL IS REQUIRED, IT SHOULD BE CONNECTED TO TERMINALS 3 AND 5 OF THE LINE JACK UNIT.
- D WITH THE EXCEPTION OF THE HANDSET, DIAL AND BELL, ALL COMPONENTS ARE MOUNTED ON A PRINTED WIRING BOARD. THE COMPLETE UNIT IS AVAILABLE FOR MAINTENANCE REPLACEMENT AS TELEPHONE-UNIT D92732.

© BRITISH TELECOMMUNICATIONS 1182

| | | | |
|------------------------|-------|---------|--------|
| BRITISH TELECOMMS HQRS | | | |
| PAPER:—W | ISSUE | | |
| DISTRIBUTION:—GENERAL | | PO 11-3 | 5-1-82 |

FIG.2 2-WIRE PBX EXTENSIONS WITH RECALL

USING :-

TELEPHONE No.8741F OR G
SWITCH No.5A-3 (FIG.4)
PART 1/DBR/381
PART 2/DBU/266 (COLOUR)
2 PARTS 1/DBU/270 (COLOUR)

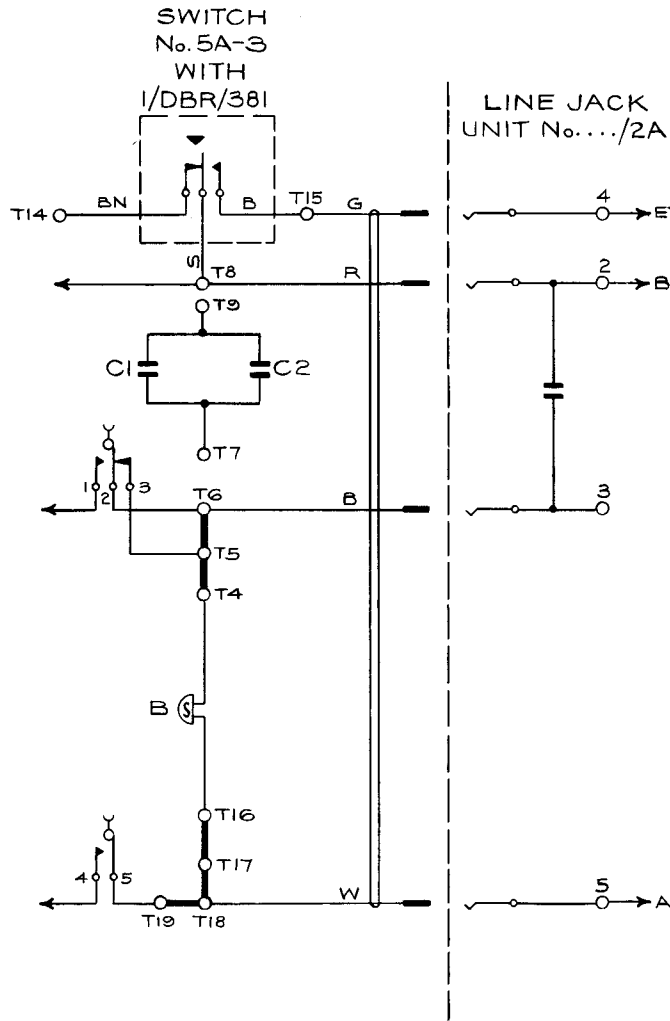


FIG.3 PMBXs WITH ADDITIONAL C-WIRE
(PMBX 2/... AND 3/... NOTE A)

USING :-

TELEPHONE No.8741F OR G
SWITCH No.5A-3 (FIG.5)
PART 1/DBR/381
SWITCH No.36A-1 WITH
KIT No.166A
2 PARTS 1/DBU/270 (COLOUR)

NOTES :-

- A FOR 2-WIRE EXTERNAL EXTENSIONS USING UAA No.96 OR No.96A WIRE THE TELEPHONE TO FIG.2.
- B REMOVE CORD CONNECTING No.4/505... AND FIT CORD CONNECTING No.6/505...

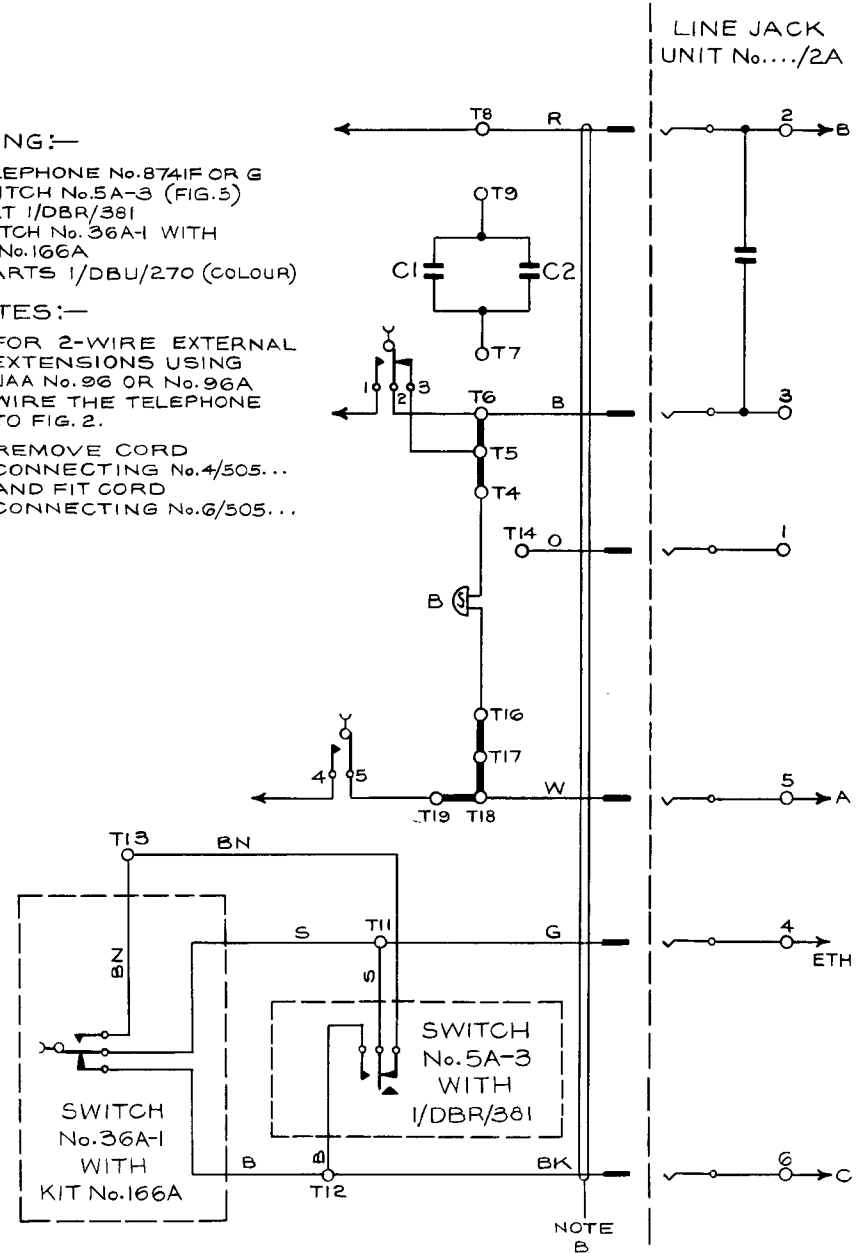
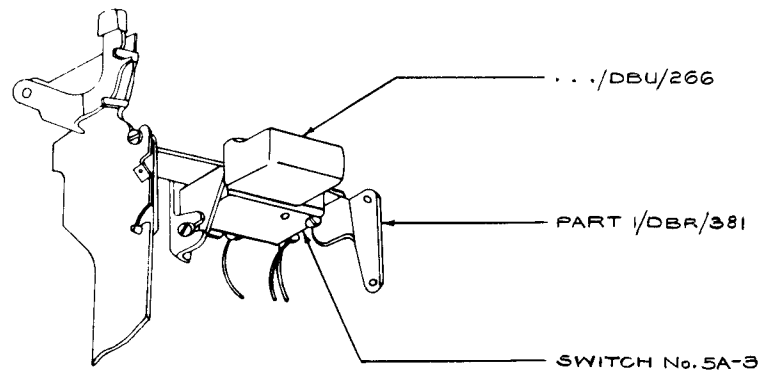


FIG.4 FITTING SWITCH No.5A-3
USED WITH.../DBU/266 FOR 2-WIRE
PBX EXTENSIONS, C-WIRE
SIGNALLING ETC.



NOTES:—

- A WHEN THE SWITCH IS FITTED, THE LONG DUMMY SUPPLIED WITH THE TELEPHONE SHOULD BE REMOVED AND STORED INSIDE THE TELEPHONE.
- B THE PRESS-BUTTON LOCATES IN THE MID-POSITION OF THE BUTTON SLOT.
- C TWO ADDITIONAL DUMMY BUTTONS, PART 1/DBU/270 (COLOUR) SHOULD BE PROVIDED AND FITTED, ONE EACH SIDE OF THE PRESS-BUTTON AND SECURED WITH THE CLAMPING SPRINGS SUPPLIED WITH THE TELEPHONE.

THE TELEPHONE No.8741.. PROVIDES A BUILT-IN 'OFF HOOK' POSITION FOR THE HANDSET. THE HANDSET MAY BE HUNG ON ONE SIDE OF THE INSTRUMENT WITH THE EARPIECE RESTING BETWEEN THE HOOKS OF THE CRADLE.