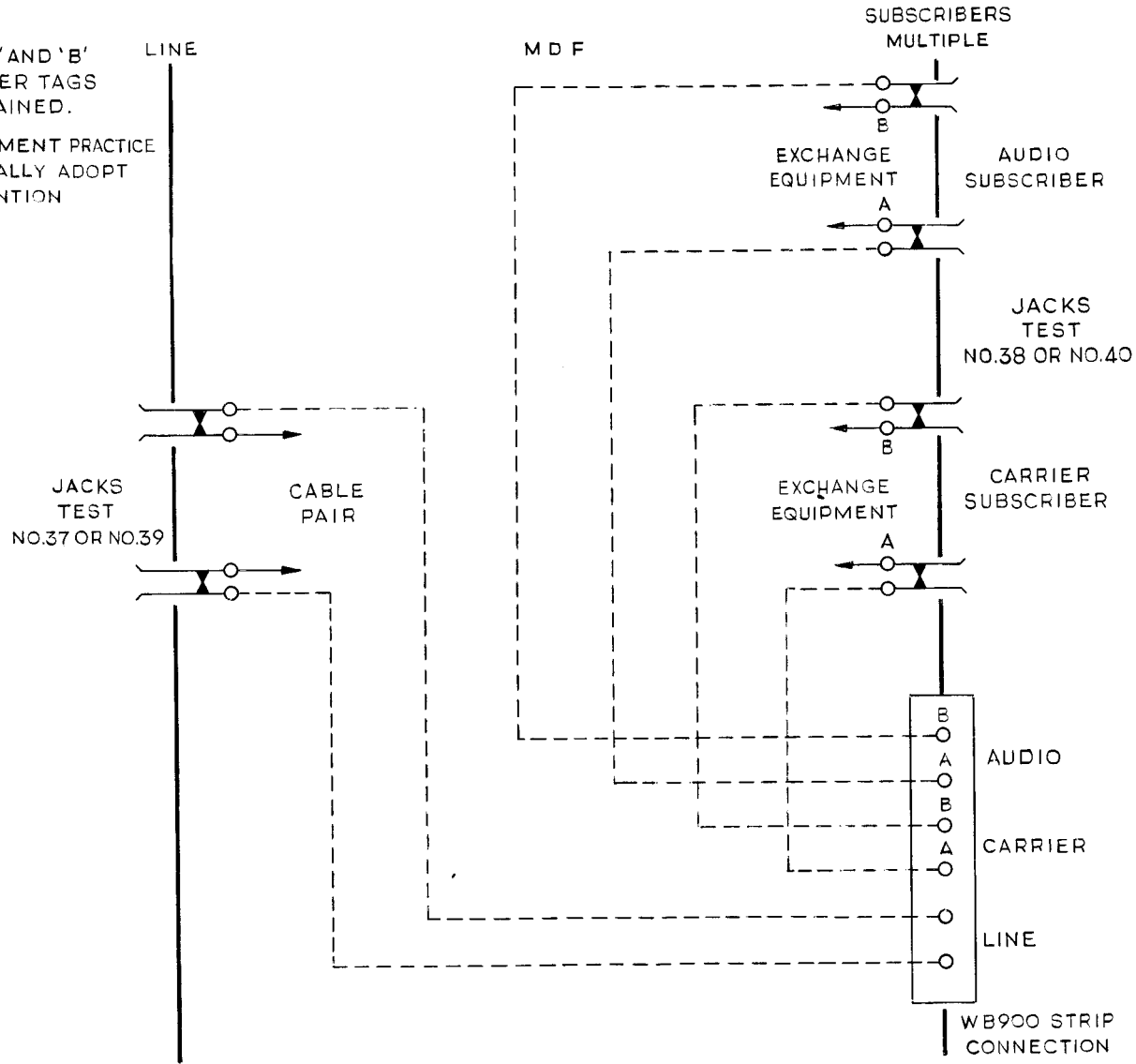


EXCHANGE JUMPERING CARRIER SYSTEM WB900

NOTES:-

1.1 POLARITIES OF 'A' AND 'B' AUDIO AND CARRIER TAGS MUST BE MAINTAINED.

1.2 CURRENT EQUIPMENT PRACTICE SHOWN BUT NORMALLY ADOPT EXISTING CONVENTION



	TOS	AUDIO	CARRIER	LINE
1	-	B	A	B
2	-			
3	-			
4	-			
5	-			
6	-			
7	-			
8	-			
9	-			
10	-			

WB900 STRIP CONNECTION

BRITISH TELECOMMS HQRS	ISSUE			
		COLOUR :- W		
DISTRIBUTION:- GENERAL	A	UNDER REVISIONS REDRAWN	76-1-3	16-8-82