

**SPECIAL RANGE TELEPHONES**  
ANSWERING SET No. 1A & 2A CONNECTED TO DIRECT EXCHANGE LINES  
AND EXTENSION PLAN ARRANGEMENTS 1A & 4 (EXCLUSIVE ONLY)  
USING TELEPHONES SRI...A, B, C OR D

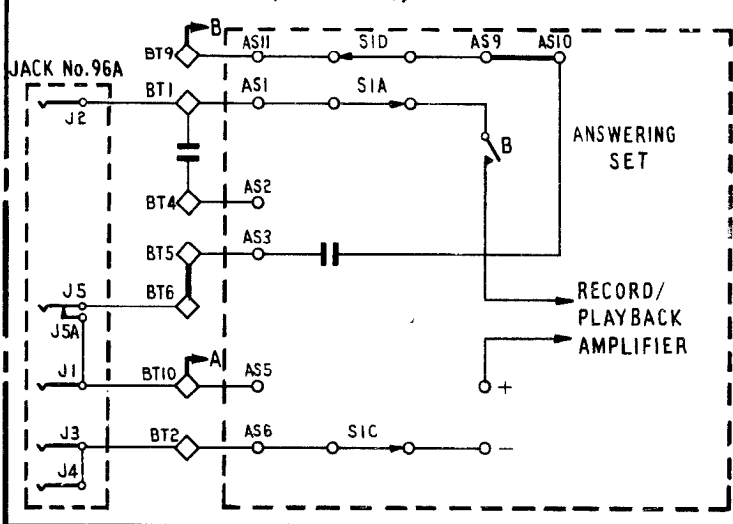
**NOTES:-**

1. THIS DIAGRAM TO BE USED IN CONJUNCTION WITH THE FOLLOWING DIAGRAMS:-

TELEPHONE	DIAGRAM No.
SRI...A	N4901
SRI...B	N4902
SRI...C	N4903
SRI...D	N4904

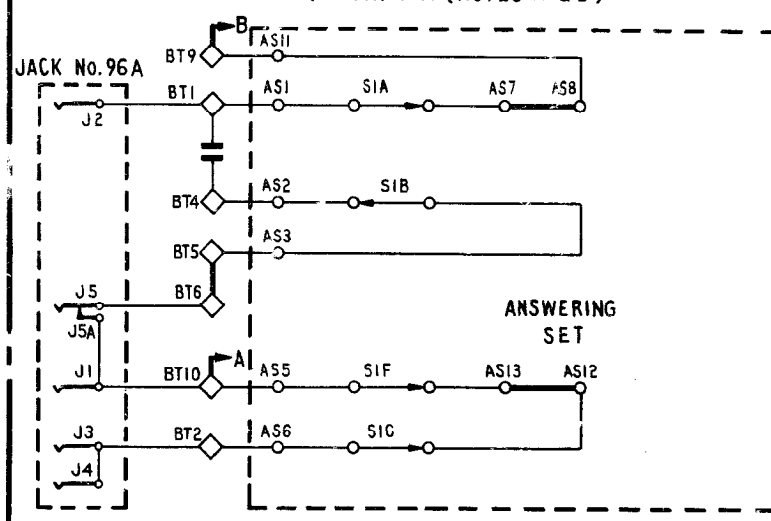
2. SEE DIAGRAMS N4190 AND N4191 FOR DETAILS OF ANSWERING SETS Nos. 1A AND 2A RESPECTIVELY.

**FIG.1 ANSWERING SET SWITCHED TO 'RECORD' OR 'CHECK' CONNECTED TO D.E.L. EXCLUSIVE SERVICE USING TELEPHONE SRI...A (NOTES A & B)**

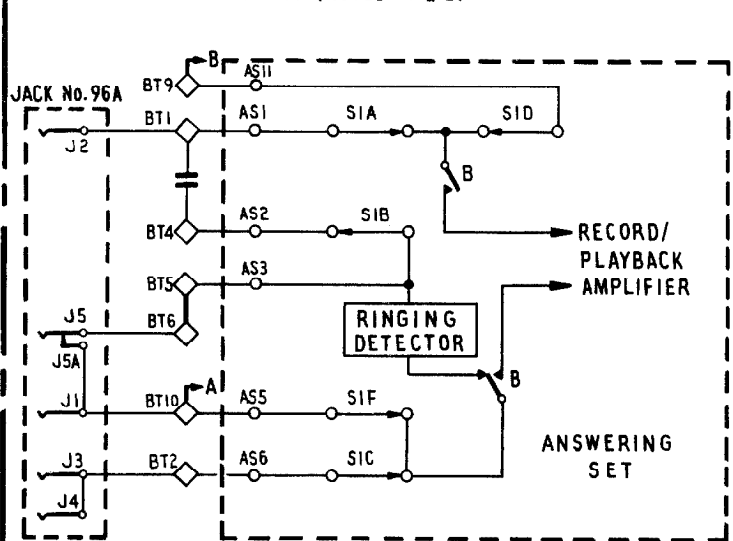


**EXPLANATORY**

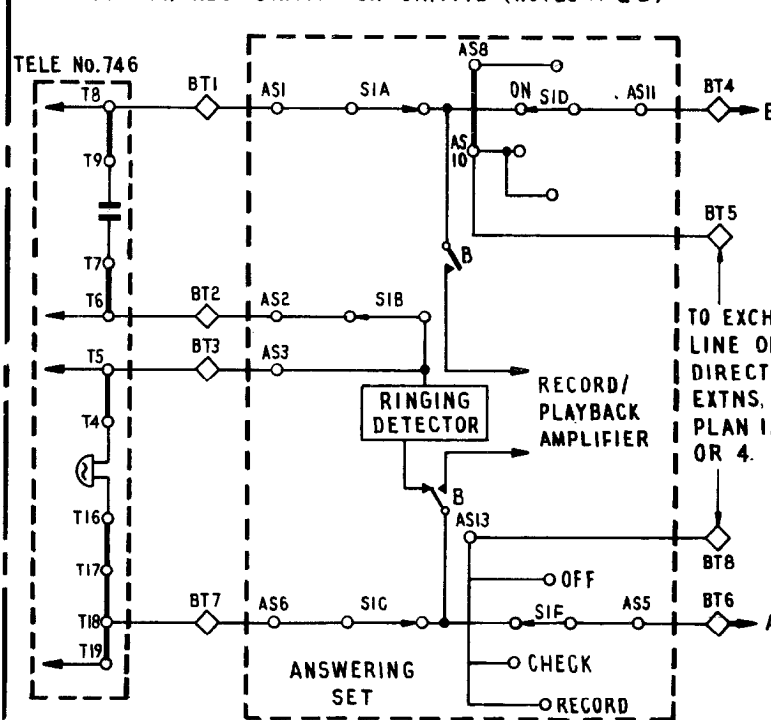
**FIG.2 ANSWERING SET SWITCHED TO 'OFF' CONNECTED TO D.E.L. EXCLUSIVE SERVICE USING TELEPHONE SRI...A (NOTES A & B)**



**FIG.3 ANSWERING SET SWITCHED TO 'ON' CONNECTED TO D.E.L. EXCLUSIVE SERVICE USING TELEPHONE SRI...A (NOTES A & B)**



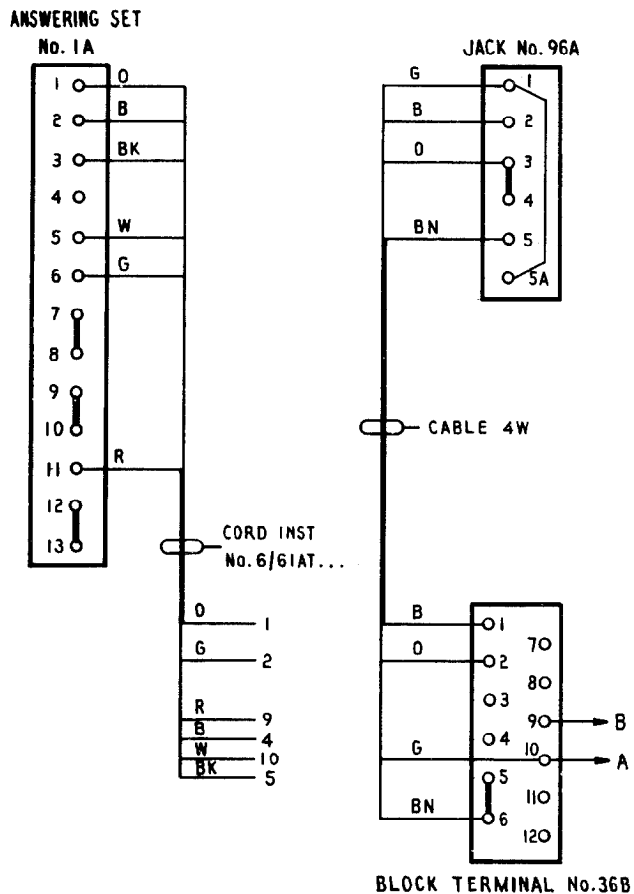
**FIG.4 ANSWERING SET CONNECTED TO PLANS 1A OR 4 USING TELEPHONES SRI...A OR SRI...B AND DIRECT EXTENSIONS OR PLAN 1A USING TELEPHONES SRI...C OR SRI...D (NOTES A & B)**



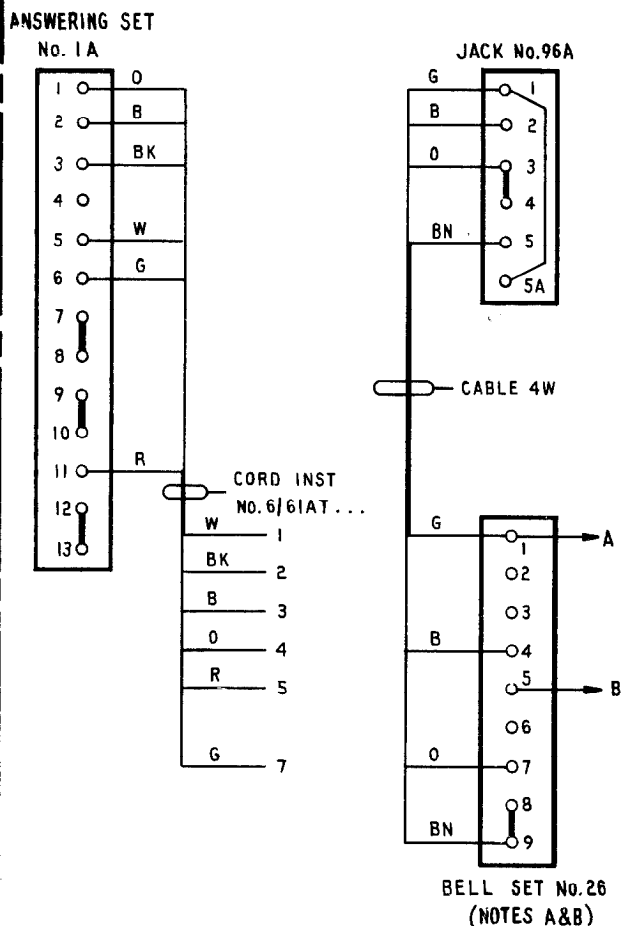
**NOTES :-**  
A. TELEPHONE SRI...B WIRED SIMILARLY (SEE DGM N4902)  
B. ANSWERING SET No. 2A WIRED SIMILARLY (SEE DGM N4191)

PO TELECOMMS HQRS	ISSUE		
PAPER :- R			
DISTN :- NIL			
		TD 7-1-1	27-4-77

ANSWERING SET No. 1A CONNECTED TO D.E.L. EXCLUSIVE SERVICE  
USING TELEPHONE SRI...A



ANSWERING SET No. 1A CONNECTED TO D.E.L. EXCLUSIVE SERVICE  
USING TELEPHONE SRI...B



ANSWERING SET No. 1A CONNECTED TO PLANS 1A OR 4  
USING TELEPHONE SRI...A OR SRI...B AND  
DIRECT EXTENSIONS OR PLAN 1A USING  
TELEPHONES SRI...C OR SRI...D

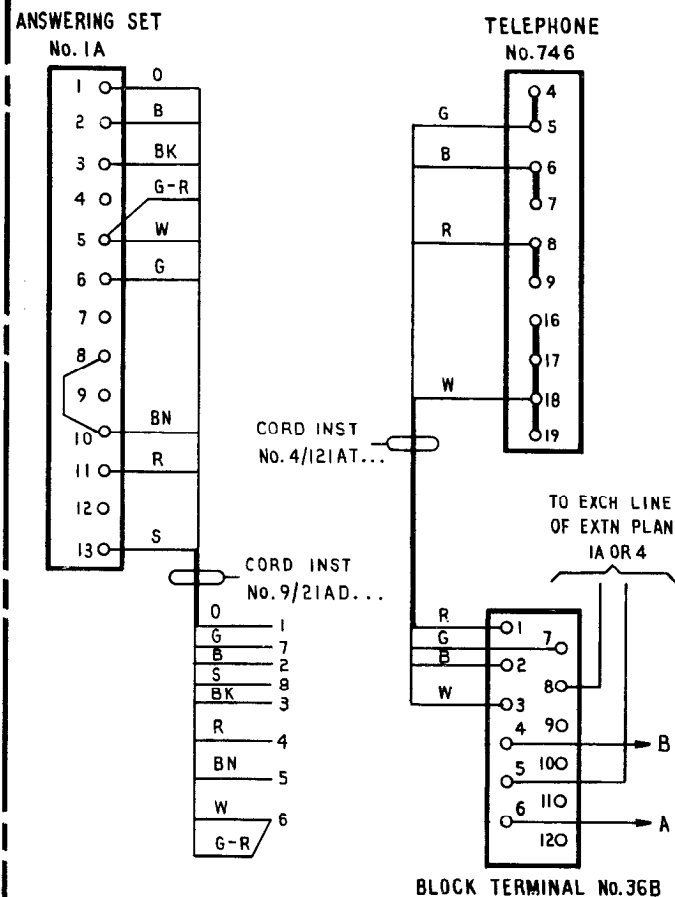


FIG. 5

ADDITIONAL APPARATUS REQUIRED:-  
ANSWERING SET No. 1A  
CORD INST No. 6/61AT...

FIG. 6

ADDITIONAL APPARATUS REQUIRED:-  
ANSWERING SET No. 1A  
CORD INST No. 6/61AT...

NOTES:-

- A. REMOVE SOLDERED STRAP ON REAR OF TERMINAL STRIP BETWEEN TERMINALS B1 AND B7. REARRANGE STRAPS AND CONNECT AS SHOWN.
- B. WHEN AN EXTENSION BELL IS REQUIRED REMOVE STRAP BETWEEN TERMINALS B8-B9 AND CONNECT BELL.

FIG. 7

ADDITIONAL APPARATUS REQUIRED:-  
ANSWERING SET No. 1A  
CORD INST No. 9/21AD...  
TELEPHONE No. 746  
BLOCK TERMINAL No. 36B

WIRING

ANSWERING SET No.2A CONNECTED TO D.E.L. EXCLUSIVE SERVICE USING TELEPHONE SRI...A

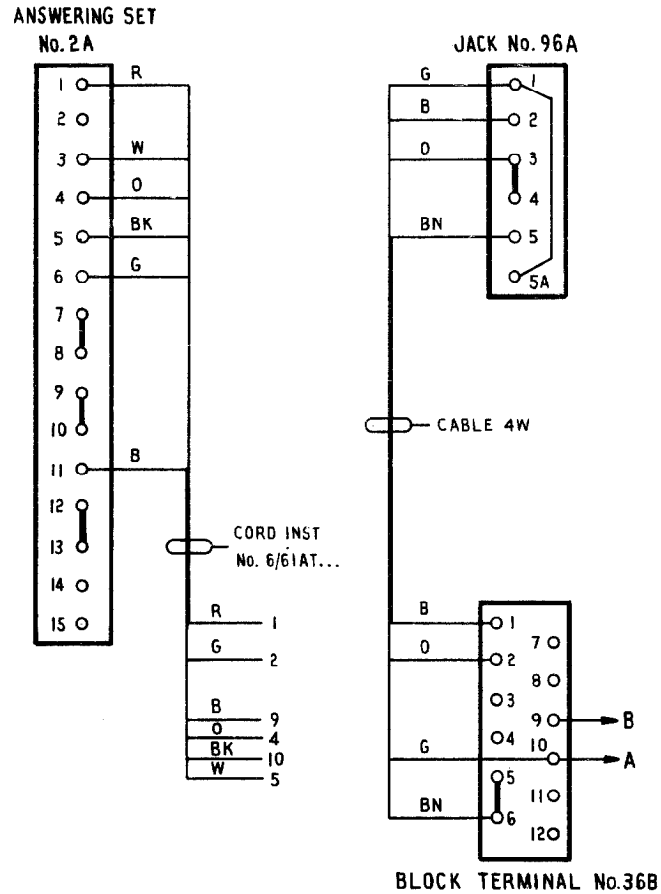


FIG.8  
ADDITIONAL APPARATUS REQUIRED:-  
ANSWERING SET No.2A  
CORD INST No. 6/61AT...

ANSWERING SET No.2A CONNECTED TO D.E.L. EXCLUSIVE SERVICE USING TELEPHONE SRI...B

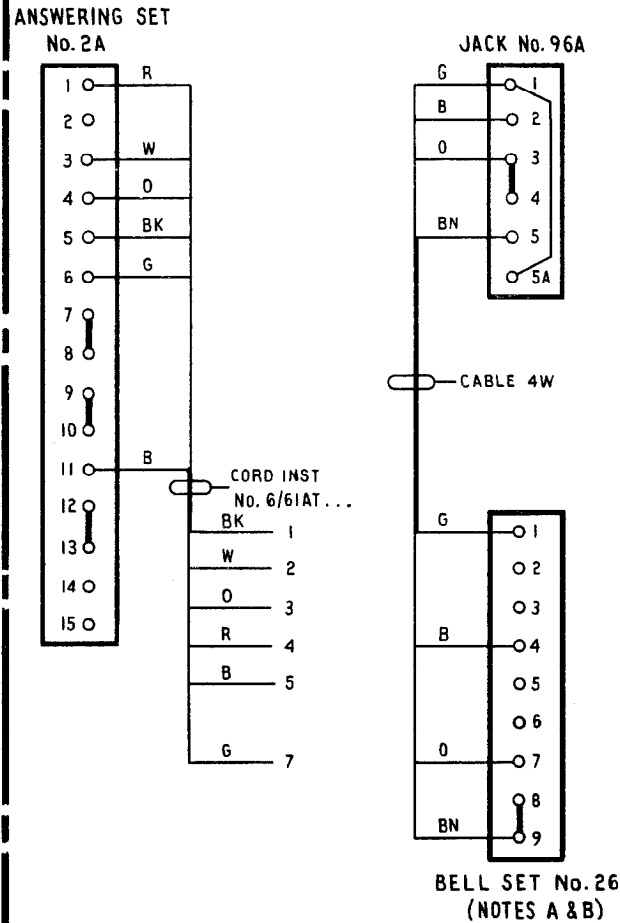


FIG.9  
ADDITIONAL APPARATUS REQUIRED :-  
ANSWERING SET No.2A  
CORD INST No. 6/61AT...

NOTES:-  
A. REMOVE SOLDERED STRAP ON REAR OF TERMINAL STRIP BETWEEN TERMINALS B1 AND B7. REARRANGE STRAPS AND CONNECT AS SHOWN.  
B. WHEN AN EXTENSION BELL IS REQUIRED REMOVE STRAP BETWEEN TERMINALS B8-B9 AND CONNECT BELL.

ANSWERING SET No.2A CONNECTED TO PLANS 1A OR 4 USING TELEPHONE SRI...A OR SRI...B AND DIRECT EXTENSIONS OR PLAN 1A USING TELEPHONES SRI...C OR SRI...D

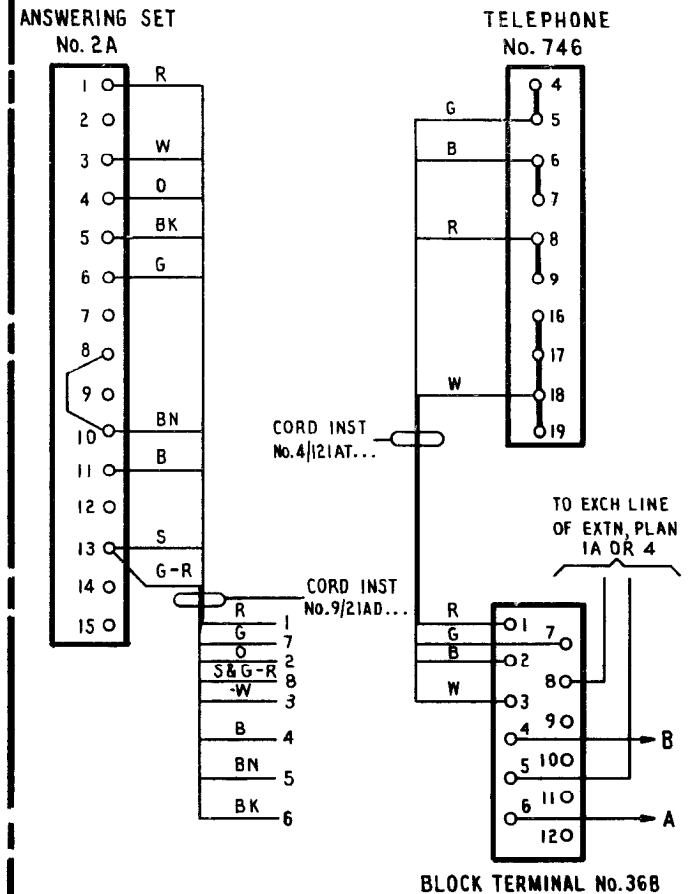


FIG.10  
ADDITIONAL APPARATUS REQUIRED:-  
ANSWERING SET No. 2A  
CORD INST No. 9/21AD...  
TELEPHONE No. 746  
BLOCK TERMINAL No. 36B