

SPECIAL RANGE TELEPHONES  
AMPLIFIER & LOUDSPEAKER No.4 CONNECTED TO DIRECT EXTENSION AND EXTENSION PLAN  
ARRANGEMENTS IA FOR 2 WIRE PBX EXTENSIONS WITH RECALL  
USING TELEPHONE SRI...D

- GENERAL NOTES :-
1. THIS DIAGRAM TO BE USED IN CONJUNCTION WITH DIAGRAM N4904
  2. SEE DIAGRAM N4442 FOR DETAILS OF AMPLIFIER AND LOUDSPEAKER No.4
  3. WHEN AN EXTENSION LOUDSPEAKER - UNIT No. 3A IS REQUIRED AT AMPLIFIER AND LOUDSPEAKER No.4, CONNECT AS SHOWN BY THE DOTTED LINES IN FIG. 1 AND REPLACE CORD, INST No. 6/61AT... WITH CORD, INST No. 9/21AD...

AMPLIFIER & LOUDSPEAKER No.4 CONNECTED TO DIRECT EXTENSION  
FIG. 1 (a) EXPLANATORY

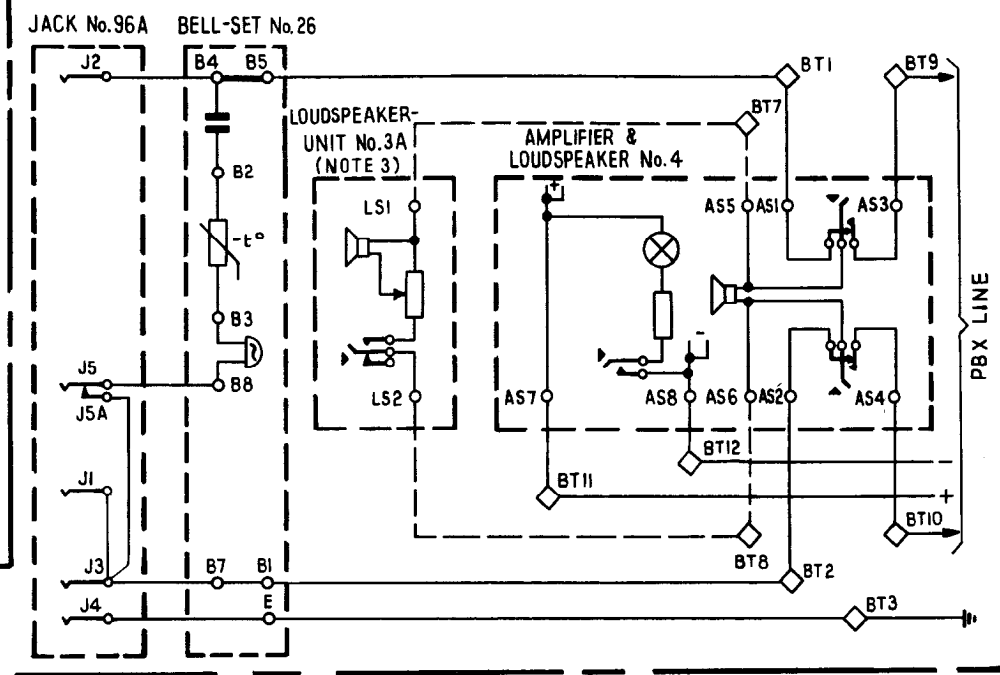
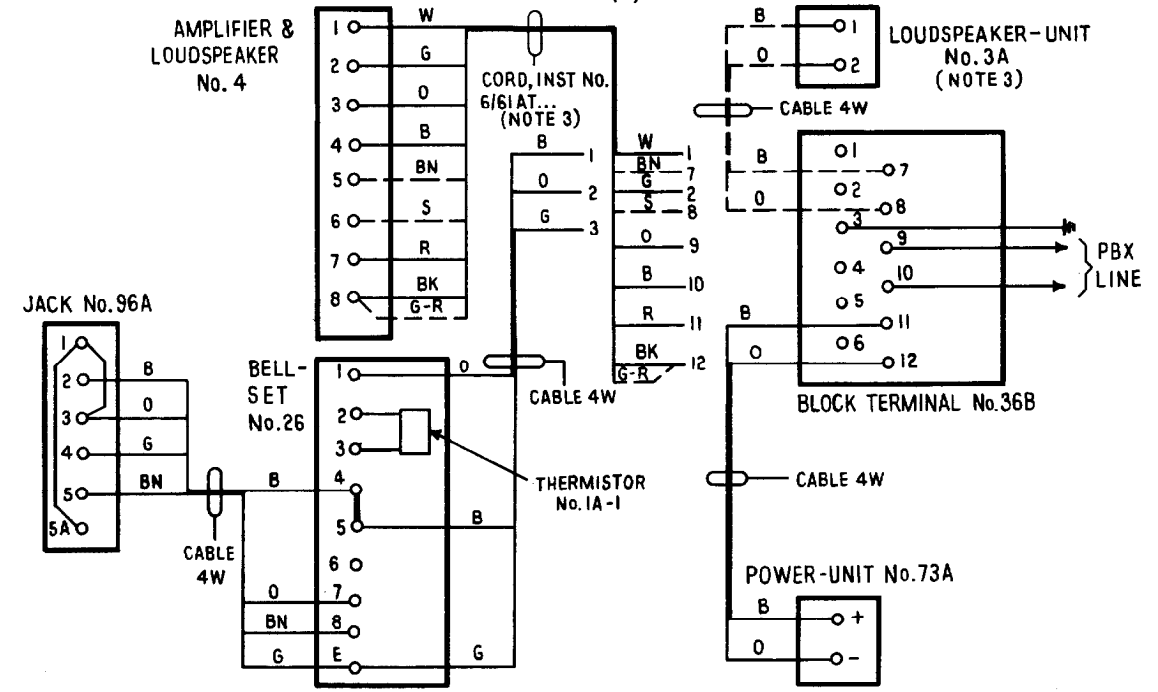


FIG. 1  
ADDITIONAL APPARATUS REQUIRED :-  
AMPLIFIER AND LOUDSPEAKER No.4  
POWER UNIT No.73A

FIG. 1 (b) WIRING



PO TELECOMMS HQRS	ISSUE		
PAPER :- R			
DISTN :- NIL			
		TD 7.1.3	2-6-77

AMPLIFIER & LOUDSPEAKER CONNECTED TO PLAN IA  
EXPLANATORY

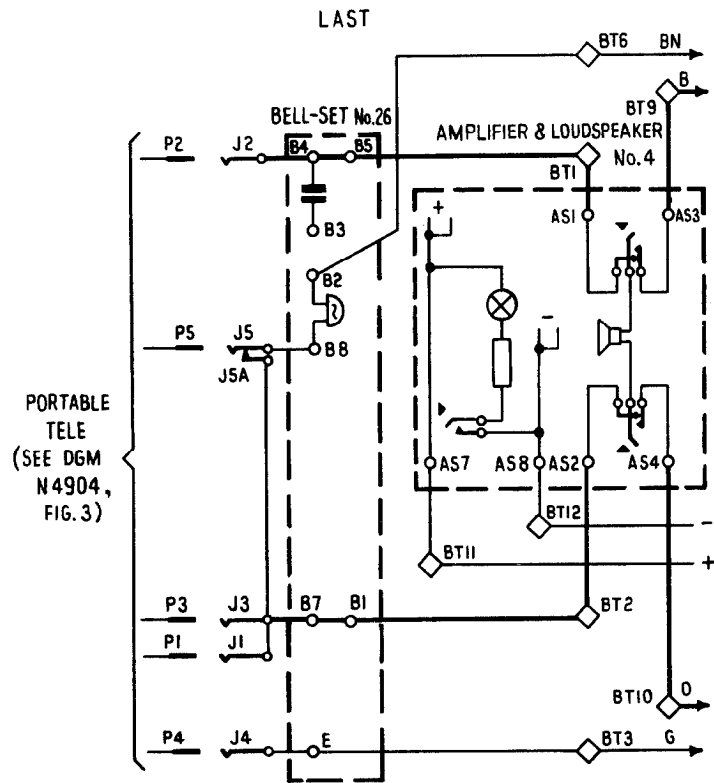


FIG. 2

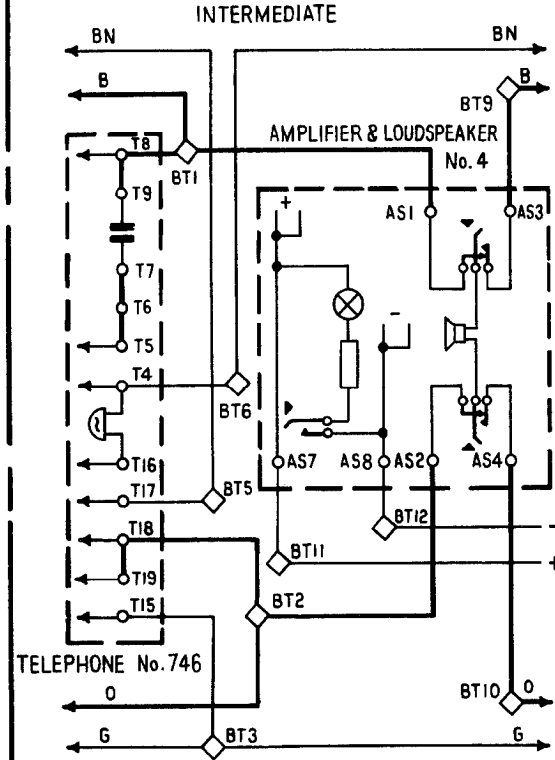


FIG. 3

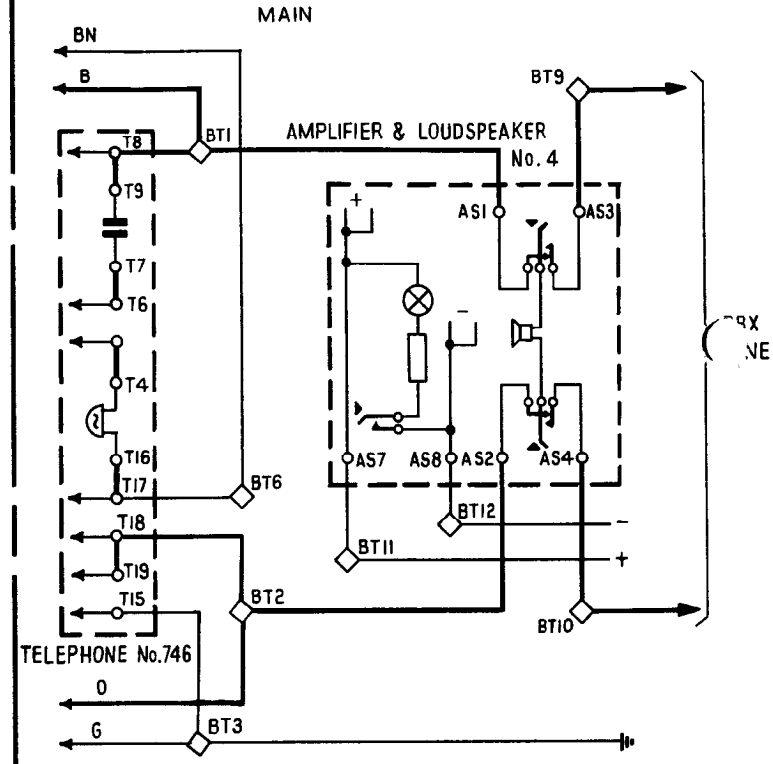


FIG. 4

WIRING  
INTERMEDIATE

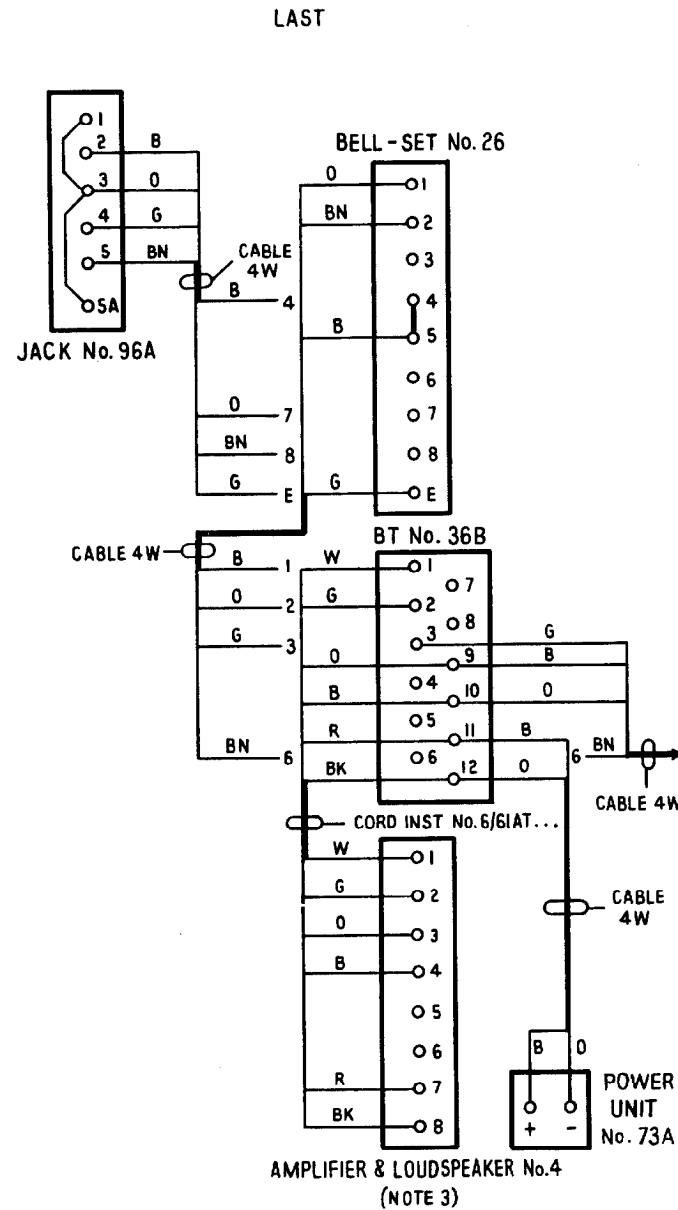


FIG. 5  
ADDITIONAL APPARATUS REQUIRED  
AMPLIFIER & LOUDSPEAKER No. 4  
POWER-UNIT No. 73A  
CORD INST No. 6/6IAT...  
BLOCK TERMINAL No. 36B

TELEPHONE No. 746  
(SEE DGM N4904, FIG. 4)

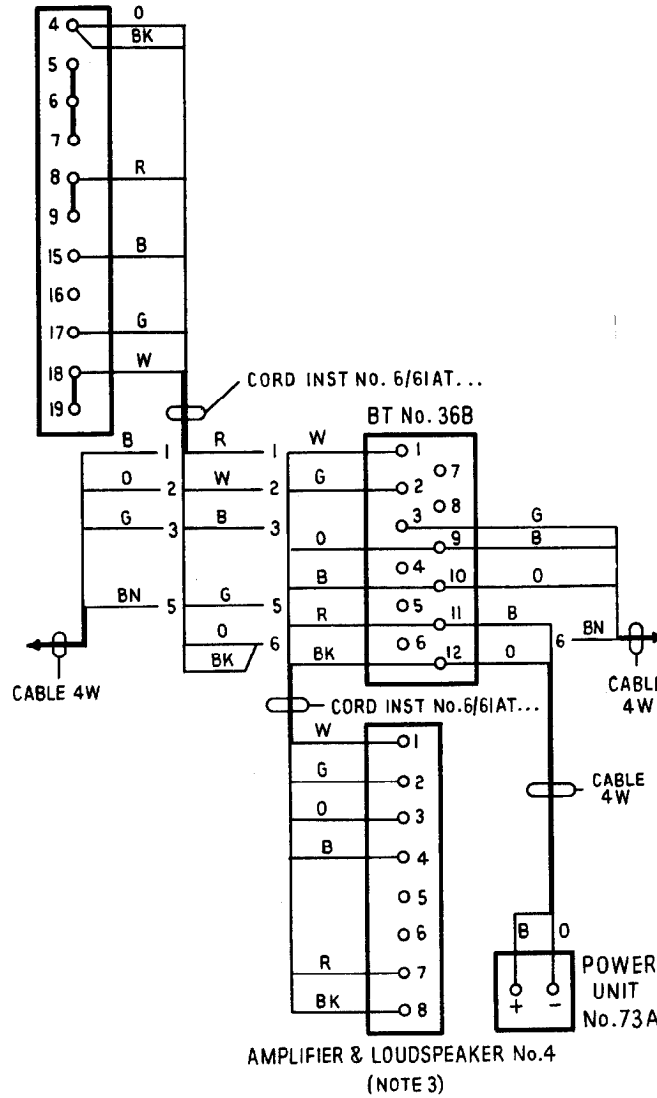


FIG. 6  
ADDITIONAL APPARATUS REQUIRED  
AMPLIFIER & LOUDSPEAKER No. 4  
POWER-UNIT No. 73A  
CORD INST No. 6/6IAT...  
BLOCK TERMINAL No. 36B

MAIN

TELEPHONE No. 746  
(SEE DGM N4904, FIG. 4)

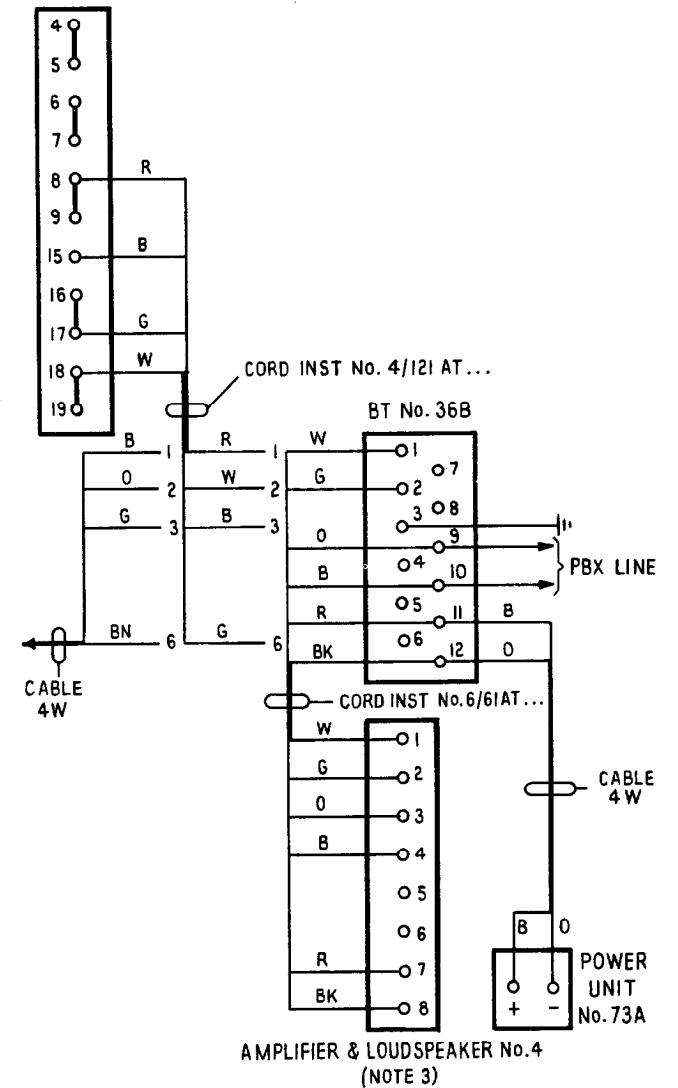


FIG. 7  
ADDITIONAL APPARATUS REQUIRED  
AMPLIFIER & LOUDSPEAKER No. 4  
POWER-UNIT No. 73A  
CORD INST No. 6/6IAT...  
BLOCK TERMINAL No. 36B