

AMPLIFIER AND LOUDSPEAKER No.4 CONNECTED TO DIRECT EXTENSION AND EXTENSION PLAN ARRANGEMENTS IA FOR 2 WIRE PBX EXTENSIONS WITH RECALL USING TELEPHONE SRI...C

GENERAL NOTES:-

1. THIS DIAGRAM TO BE USED IN CONJUNCTION WITH DIAGRAM N4903
2. SEE DIAGRAM N4442 FOR DETAILS OF AMPLIFIER AND LOUDSPEAKER No. 4
3. WHEN AN EXTENSION LOUDSPEAKER-UNIT No.3A IS REQUIRED AT AMPLIFIER & LOUDSPEAKER No.4, CONNECT AS SHOWN BY THE DOTTED LINES IN FIG.1 AND REPLACE CORD, INST No.6/61AT...WITH CORD, INST No.9/21AD...

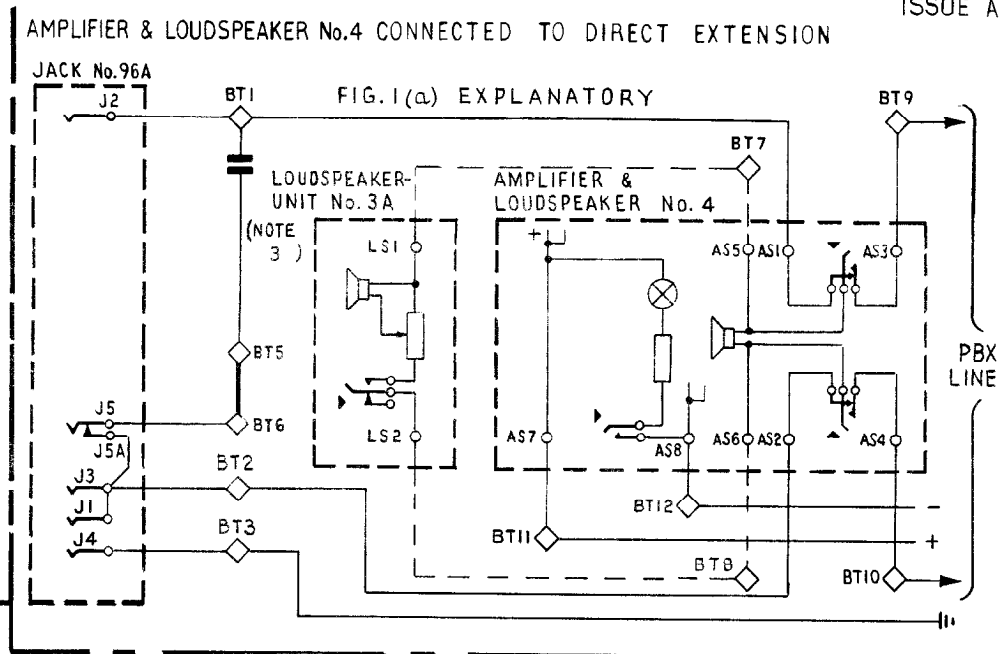
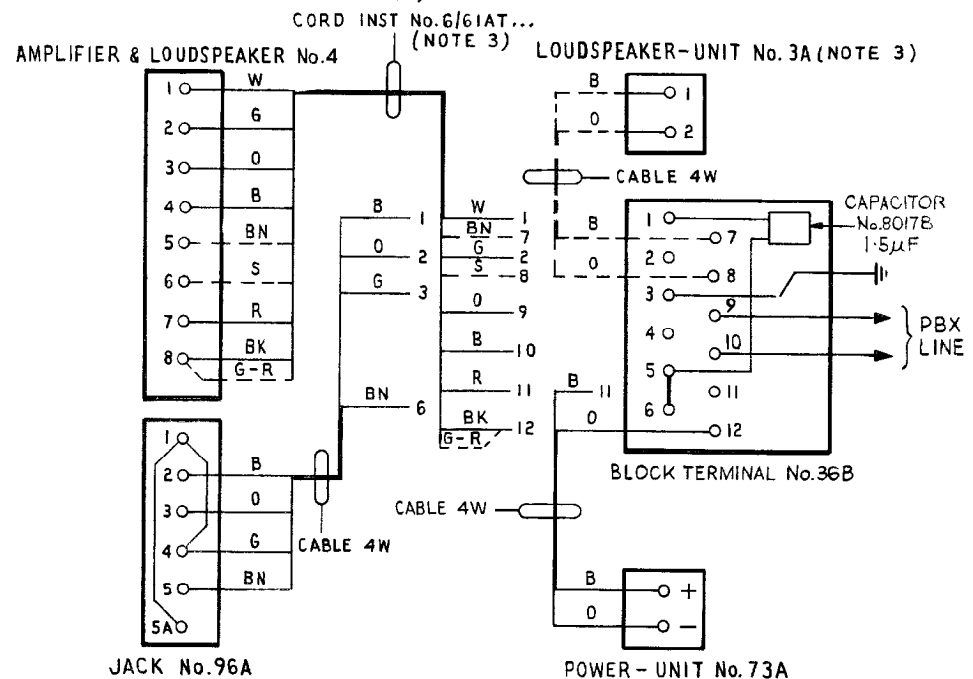


FIG.1

ADDITIONAL APPARATUS REQUIRED:-
AMPLIFIER AND LOUDSPEAKER No.4
POWER UNIT No.73A

FIG.1(b) WIRING



PO TELECOMMS HQRS	ISSUE			
PAPER:-R		A	CAPACITOR No.8017B VALUE SHOWN. MINOR AMENDMENTS	3-1-78
DISTN:-NIL			<i>S.A.H.</i>	TD 7.1.3

AMPLIFIER & LOUDSPEAKER No.4 CONNECTED TO PLAN 1A
 EXPLANATORY

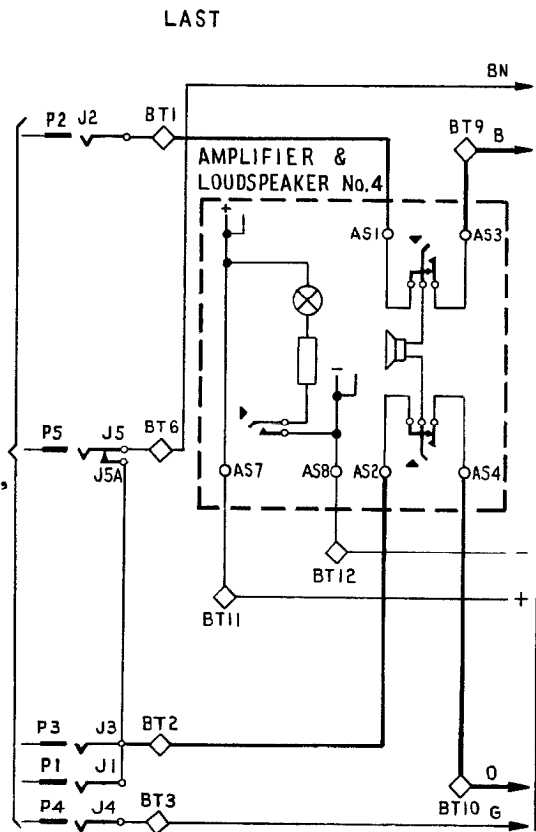


FIG. 2 USING TELEPHONE SRI...C

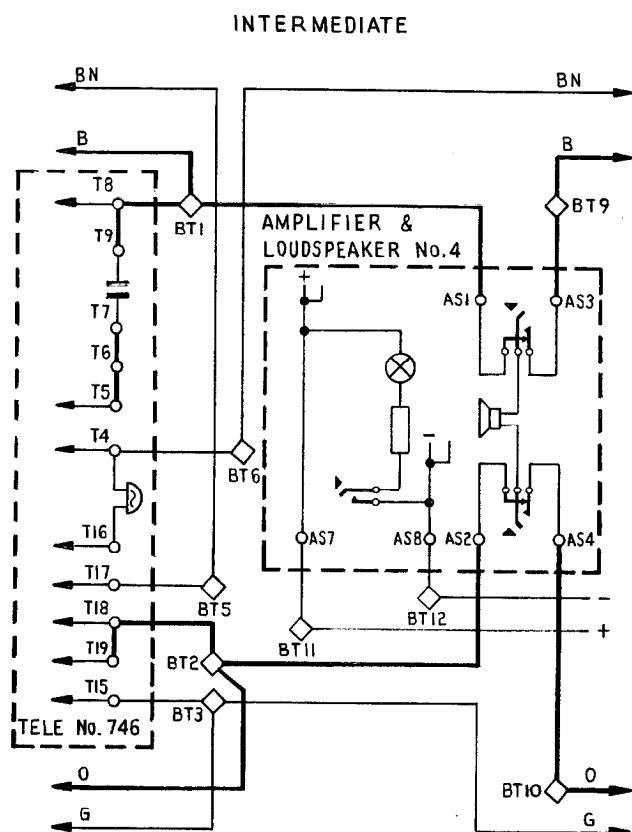


FIG. 3 USING TELEPHONE No.746

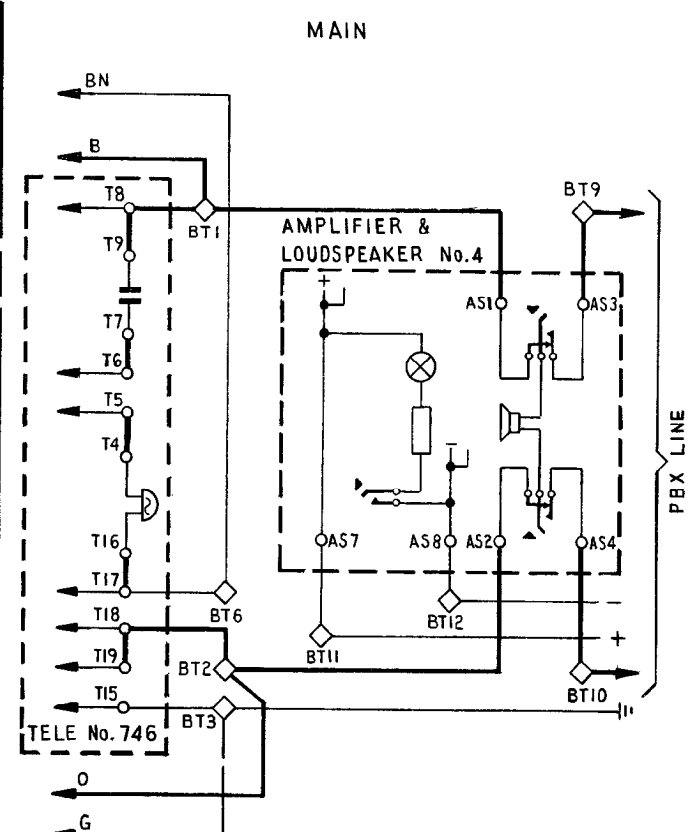


FIG. 4 USING TELEPHONE No.746

PORTABLE
 TELEPHONE
 SEE
 DGM N4903,
 FIG. 3

LAST

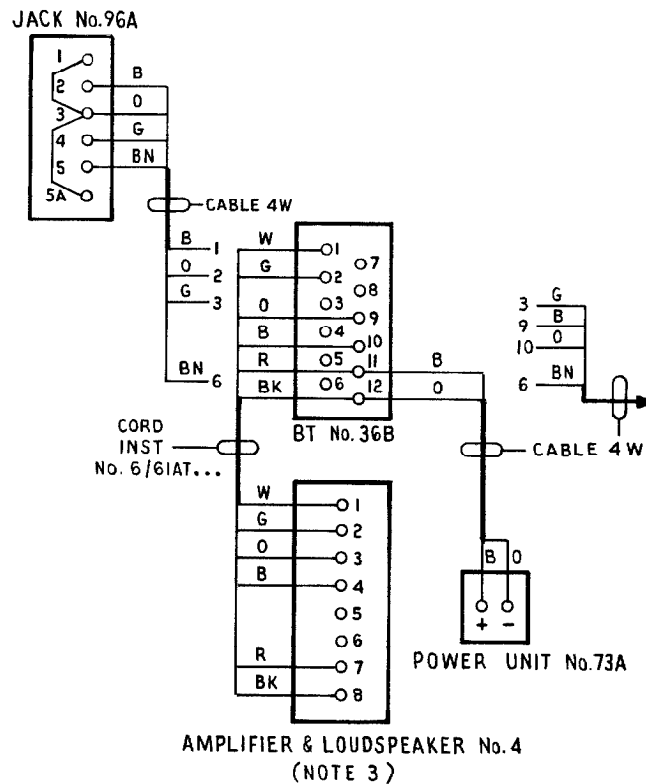


FIG. 5 USING TELEPHONE SRI...C

ADDITIONAL APPARATUS REQUIRED:-

- AMPLIFIER AND LOUDSPEAKER No. 4
- POWER UNIT No. 73A
- CORD INST No. 6/6IAT...
- BLOCK TERMINAL No. 36B

INTERMEDIATE

TELEPHONE No. 746 (SEE DGM. N4903, FIG. 4)

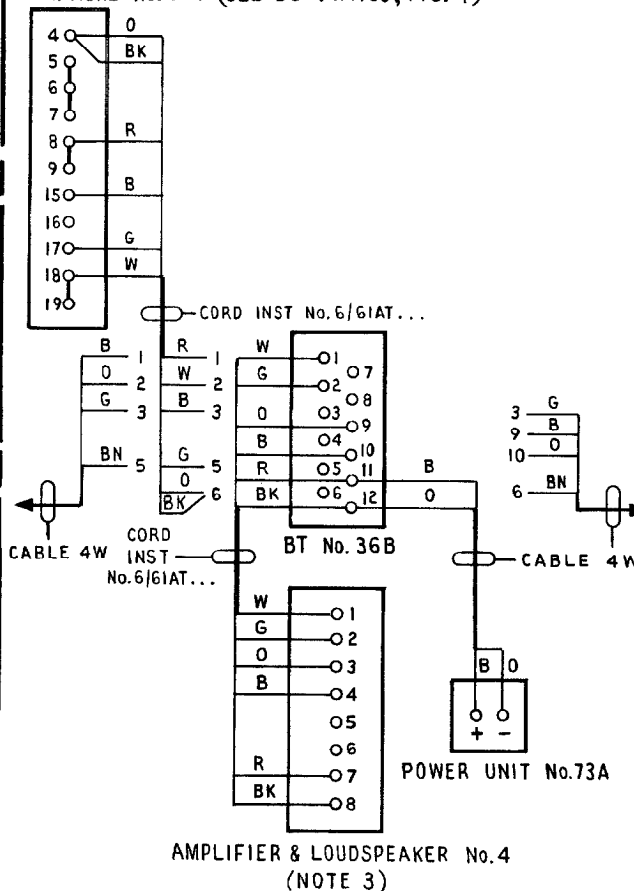


FIG. 6 USING TELEPHONE No. 746

ADDITIONAL APPARATUS REQUIRED:-

- AMPLIFIER AND LOUDSPEAKER No. 4
- POWER UNIT No. 73A
- CORD INST No. 6/6IAT...
- BLOCK TERMINAL No. 36B

MAIN

TELEPHONE No. 746 (SEE DGM. N4903, FIG. 4)

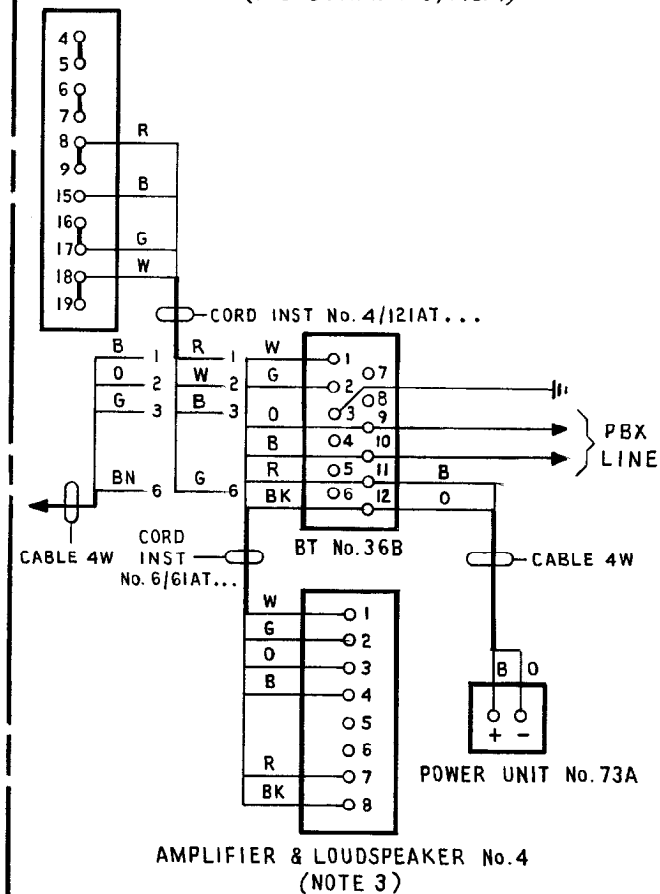


FIG. 7 USING TELEPHONE No. 746

ADDITIONAL APPARATUS REQUIRED:-

- AMPLIFIER AND LOUDSPEAKER No. 4
- POWER UNIT No. 73A
- CORD INST No. 6/6IAT...
- BLOCK TERMINAL No. 36B