

SPECIAL RANGE TELEPHONES
AMPLIFIER & LOUDSPEAKER No.4 CONNECTED TO DIRECT EXCHANGE LINES AND EXTENSION
PLAN ARRANGEMENTS 1A AND 4. EXCLUSIVE AND SHARED SERVICE (SEPARATE METERING)
USING TELEPHONE SRI...B

GENERAL NOTES :-

1. THIS DIAGRAM TO BE USED IN CONJUNCTION WITH DIAGRAM N4902
2. SEE DIAGRAM N4442 FOR DETAILS OF AMPLIFIER AND LOUDSPEAKER No 4
3. WHEN AN EXTENSION LOUDSPEAKER UNIT No.3A IS REQUIRED AT AMPLIFIER AND LOUDSPEAKER No.4, CONNECT AS SHOWN BY THE DOTTED LINES IN FIG.1 AND REPLACE CORD INST No 6/61AT... WITH CORD INST No. 9/21 AD...

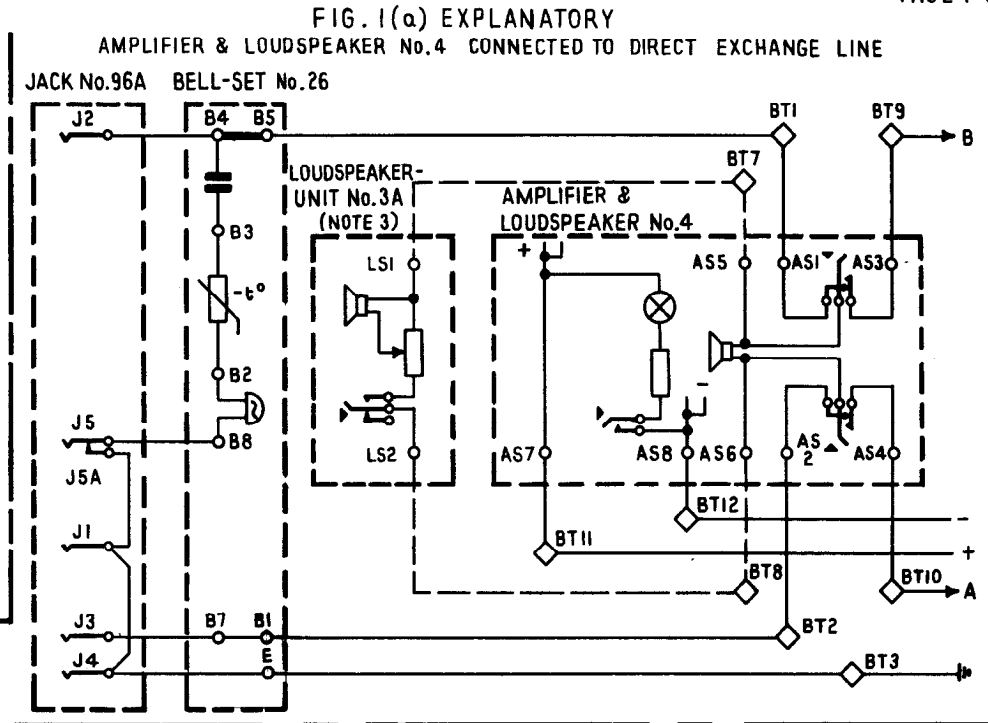
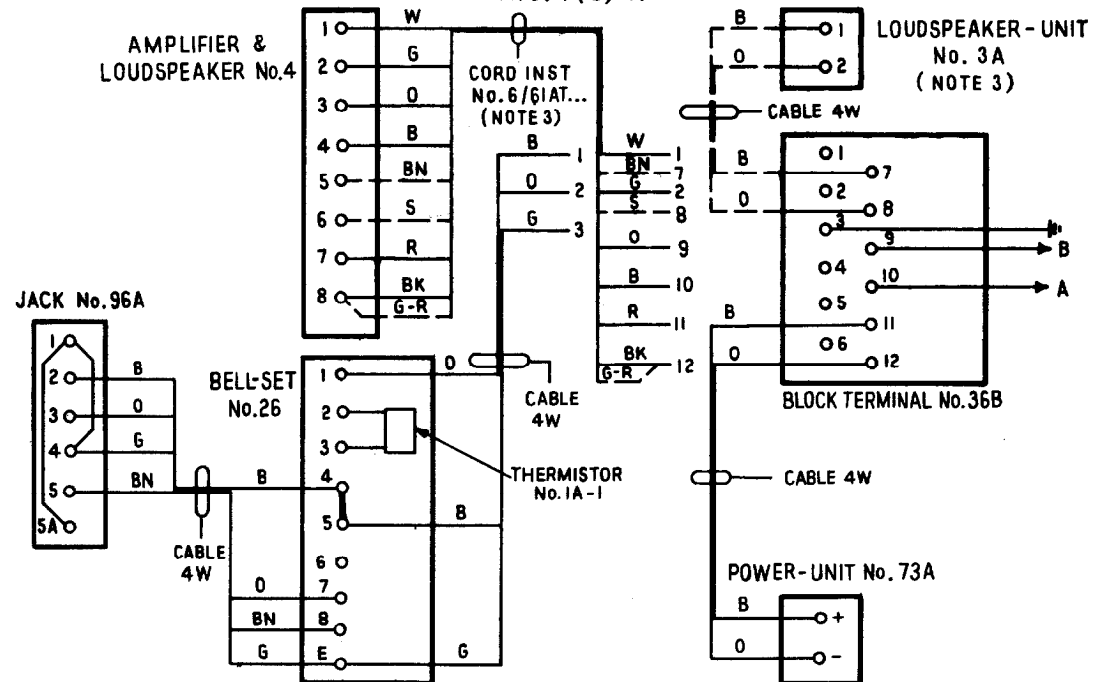


FIG. 1
ADDITIONAL APPARATUS REQUIRED :-
AMPLIFIER & LOUDSPEAKER No.4
POWER -UNIT No. 73A

NOTE :-

- A. SHARED SERVICE (SEPARATE METERING)
CONNEXIONS AS SHOWN
EXCLUSIVE SERVICE
OMIT EARTH AND GREEN CABLE CONNEXIONS TO BT3, E AND J4.
STRAP TERMINALS J1-J3-J4. OMIT THERMISTOR No. 1A-1. STRAP B2-B3.

FIG. 1(b) WIRING



PO	ISSUE	<i>[Signature]</i>	TD 7-1-3	26-5-77
TELECOMMS				
HQRS				
PAPER : R				
DISTN : NIL				

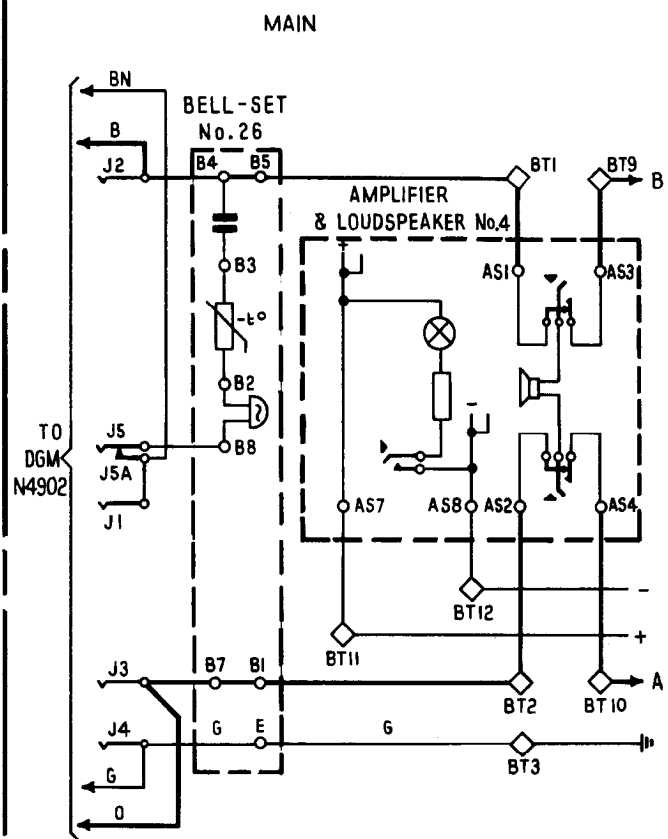
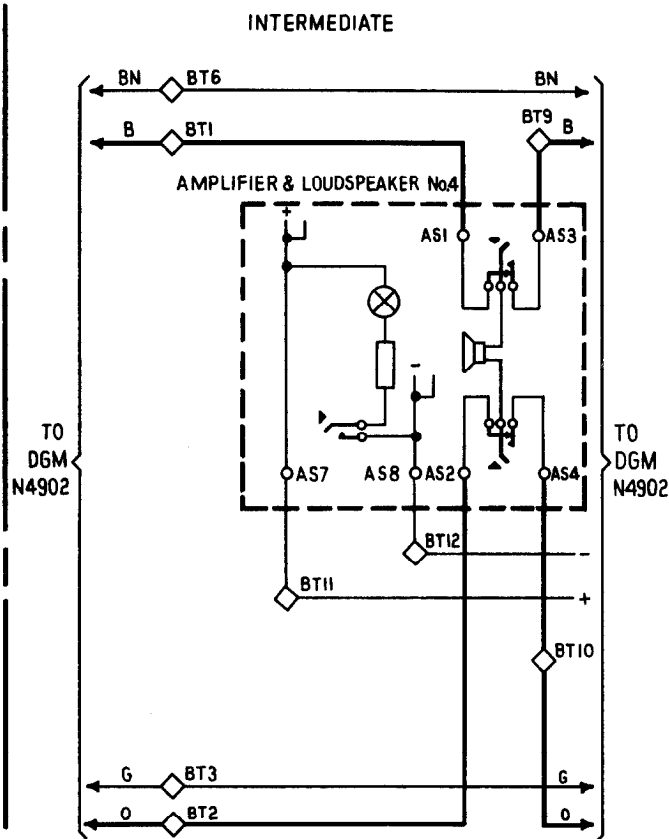
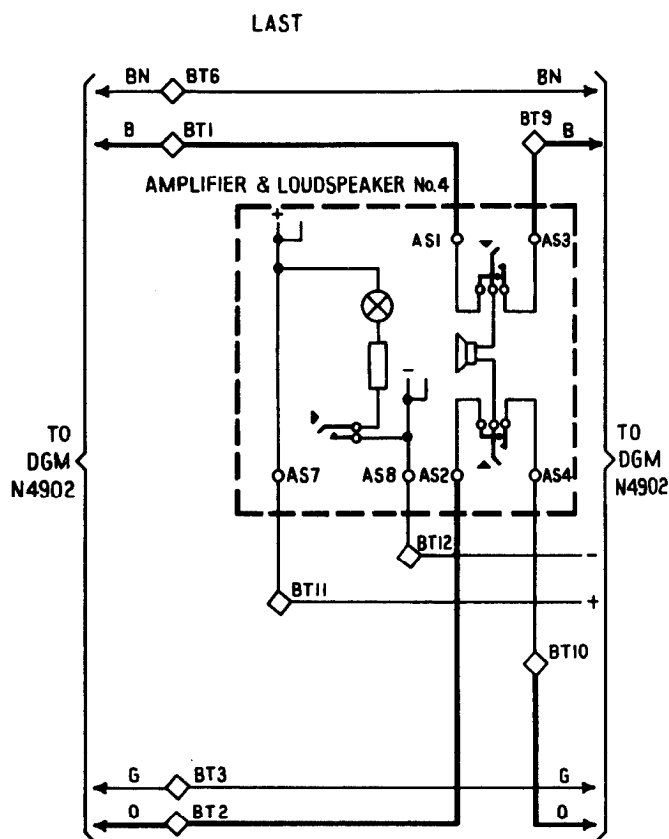


FIG. 2
SHARED SERVICE (SEPARATE METERING)
CONNEXIONS AS SHOWN
EXCLUSIVE SERVICE
GREEN CABLE CONNEXIONS TO BT3 OMITTED

FIG. 3
SHARED SERVICE (SEPARATE METERING)
CONNEXIONS AS SHOWN
EXCLUSIVE SERVICE
GREEN CABLE CONNEXIONS TO BT3 OMITTED

FIG. 4
SHARED SERVICE (SEPARATE METERING)
CONNEXIONS AS SHOWN
EXCLUSIVE SERVICE
EARTH AND GREEN CABLE CONNEXIONS TO BT3, E AND J4 OMITTED, J3-J4 STRAPPED. THERMISTOR No. IA-1 OMITTED, B2-B3 STRAPPED

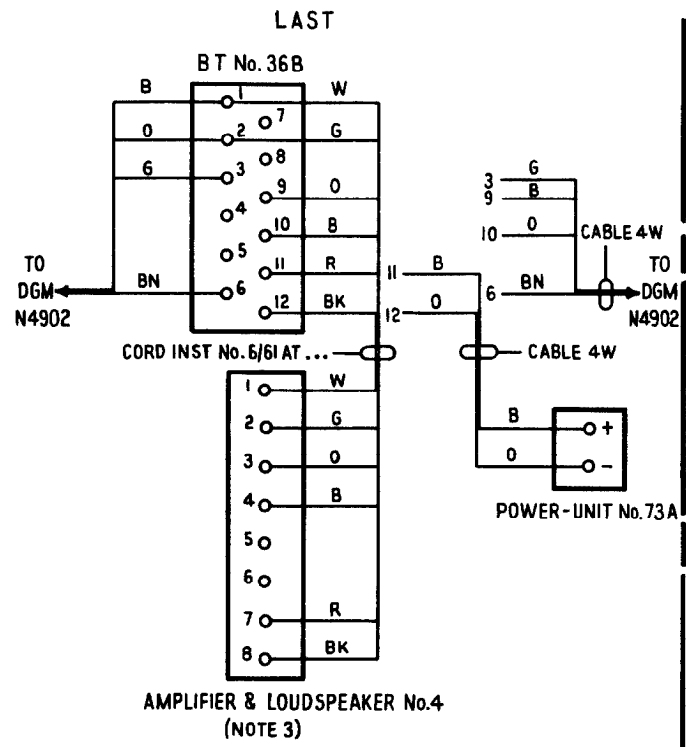


FIG. 5
ADDITIONAL APPARATUS REQUIRED:-
 AMPLIFIER & LOUDSPEAKER No. 4
 POWER-UNIT No. 73A
 CORD INST No. 6/61 AT...
 BLOCK TERMINAL No. 36B

SHARED SERVICE (SEPARATE METERING)
 CONNEXIONS AS SHOWN
 EXCLUSIVE SERVICE
 GREEN CABLE CONNEXIONS TO BT3 OMITTED

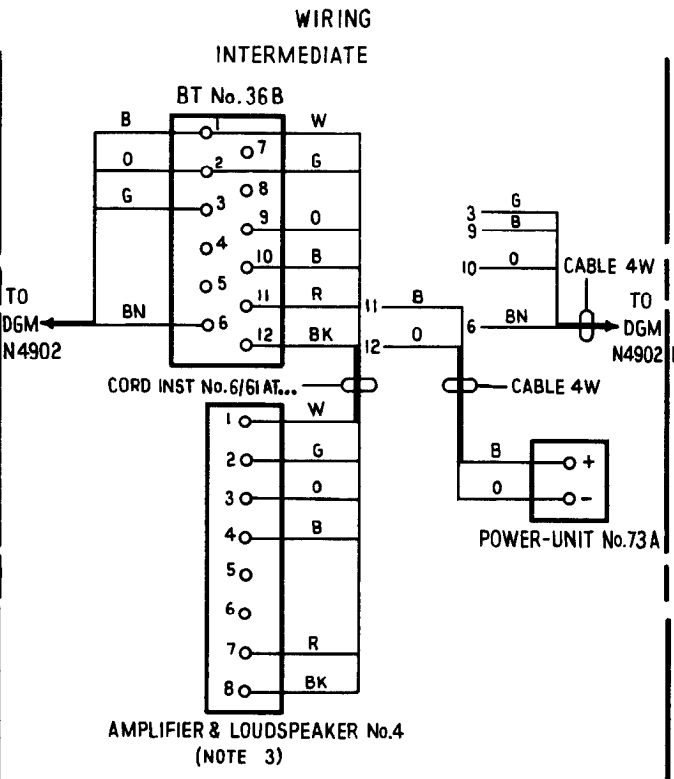


FIG. 6
ADDITIONAL APPARATUS REQUIRED:-
 AMPLIFIER & LOUDSPEAKER No. 4
 POWER-UNIT No. 73A
 CORD INST No. 6/61 AT...
 BLOCK TERMINAL No. 36B

SHARED SERVICE (SEPARATE METERING)
 CONNEXIONS AS SHOWN
 EXCLUSIVE SERVICE
 GREEN CABLE CONNEXIONS TO BT3 OMITTED

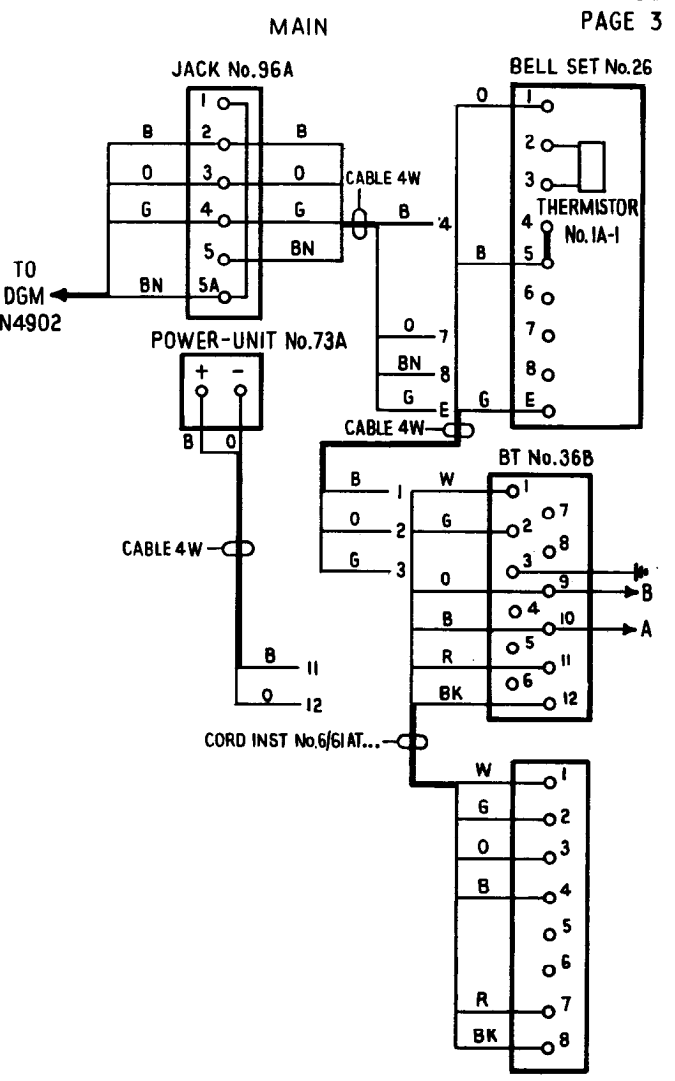


FIG. 7
ADDITIONAL APPARATUS REQUIRED:-
 AMPLIFIER & LOUDSPEAKER No. 4
 POWER-UNIT No. 73A
 CORD INST No. 6/61 AT...

SHARED SERVICE (SEPARATE METERING)
 CONNEXIONS AS SHOWN
 EXCLUSIVE SERVICE
 EARTH AND GREEN CABLE CONNEXIONS TO BT3, E & J4 OMITTED,
 J3 & J4 STRAPPED. THERMISTOR No. 1A-1 OMITTED, B2-B3
 STRAPPED.

AMPLIFIER & LOUDSPEAKER No 4 CONNECTED TO PLAN IA USING TELEPHONE No.746
EXPLANATORY

LAST

INTERMEDIATE

MAIN

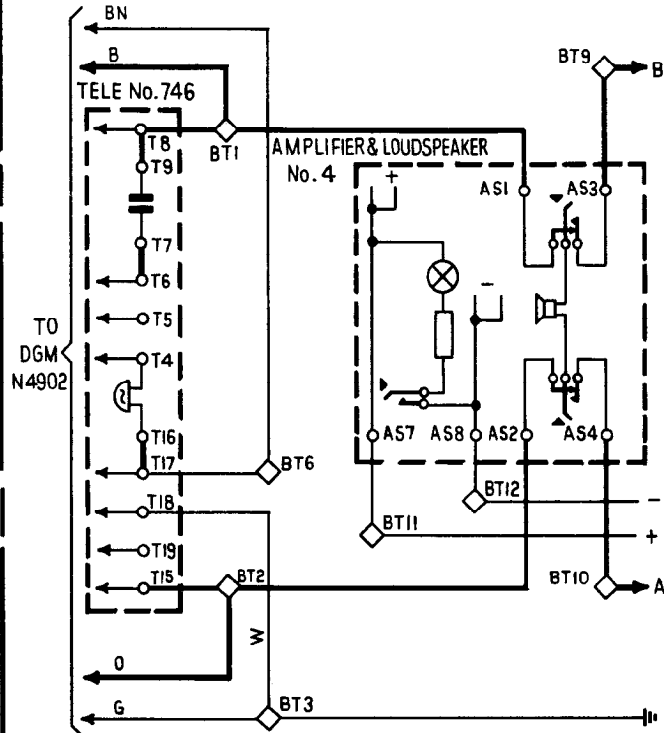
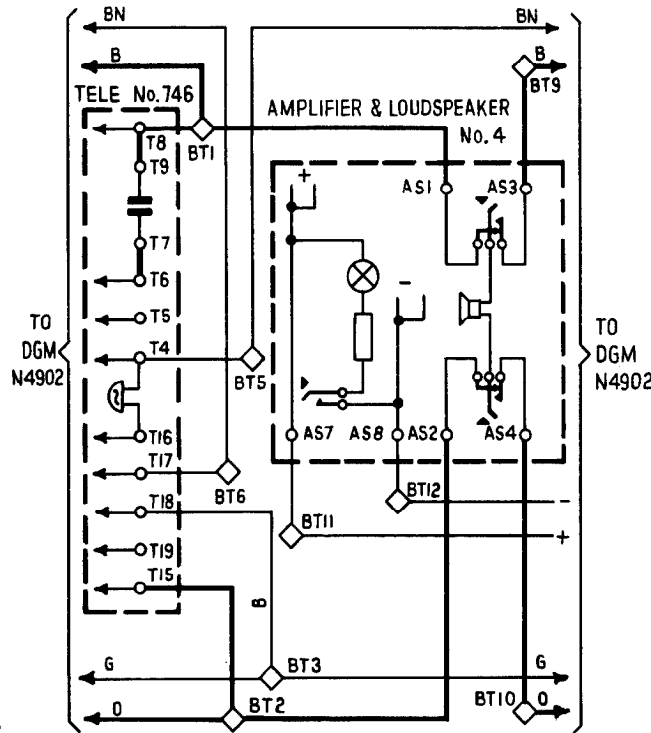
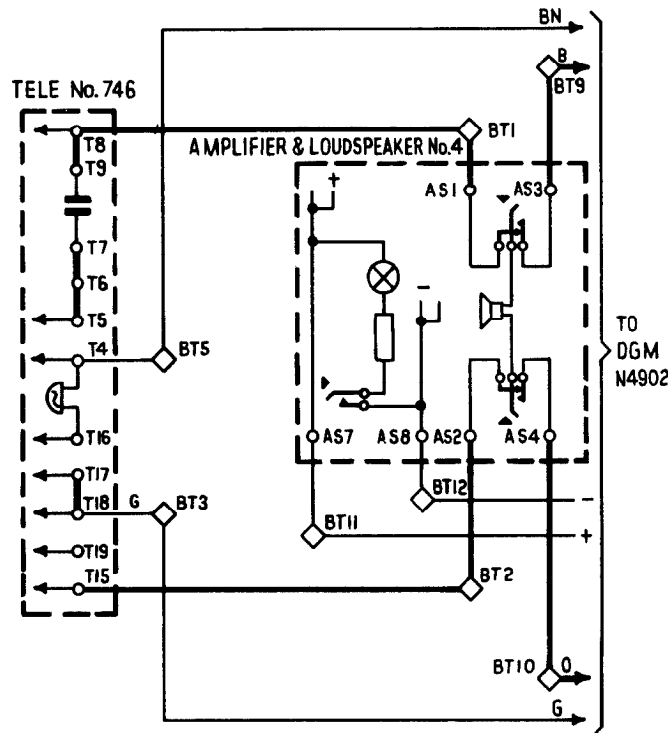


FIG. 8
SHARED SERVICE (SEPARATE METERING)
CONNEXIONS AS SHOWN
EXCLUSIVE SERVICE
GREEN CABLE CONNEXIONS TO BT3 OMITTED.
STRAP T17-T18 OMITTED. T18-T19 AND BT2-BT3 STRAPPED.
BT2 CONNECTED TO T17.

FIG. 9
SHARED SERVICE (SEPARATE METERING)
CONNEXIONS AS SHOWN
EXCLUSIVE SERVICE
GREEN CABLE CONNEXIONS TO BT3 OMITTED.
T18-T19 AND BT2-BT3 STRAPPED

FIG. 10
SHARED SERVICE (SEPARATE METERING)
CONNEXIONS AS SHOWN
EXCLUSIVE SERVICE
EARTH AND GREEN CABLE CONNEXIONS TO BT3 OMITTED.
BT2-BT3 STRAPPED. TERMINALS T4-T5 AND T18-T19 STRAPPED

WIRING

LAST

INTERMEDIATE

MAIN

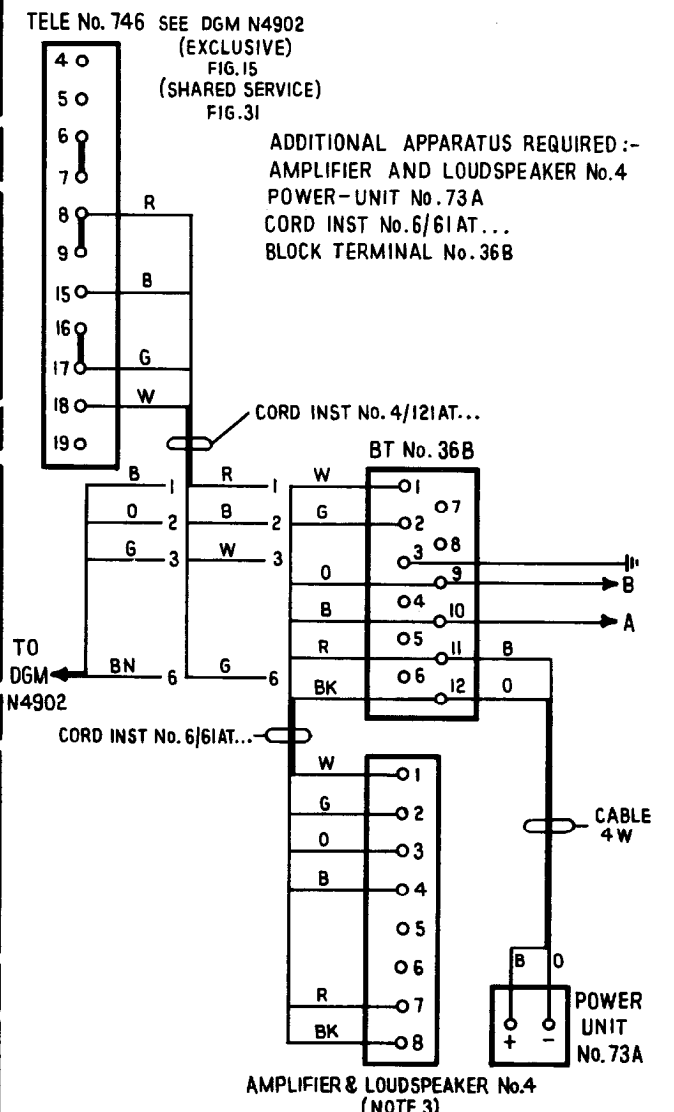
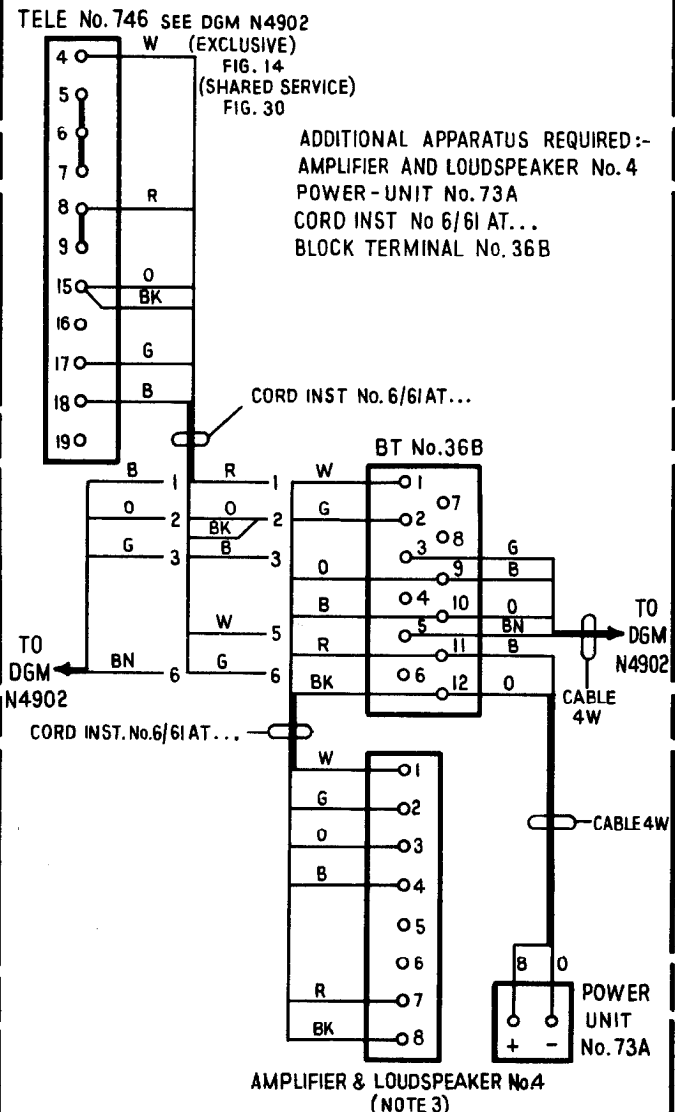
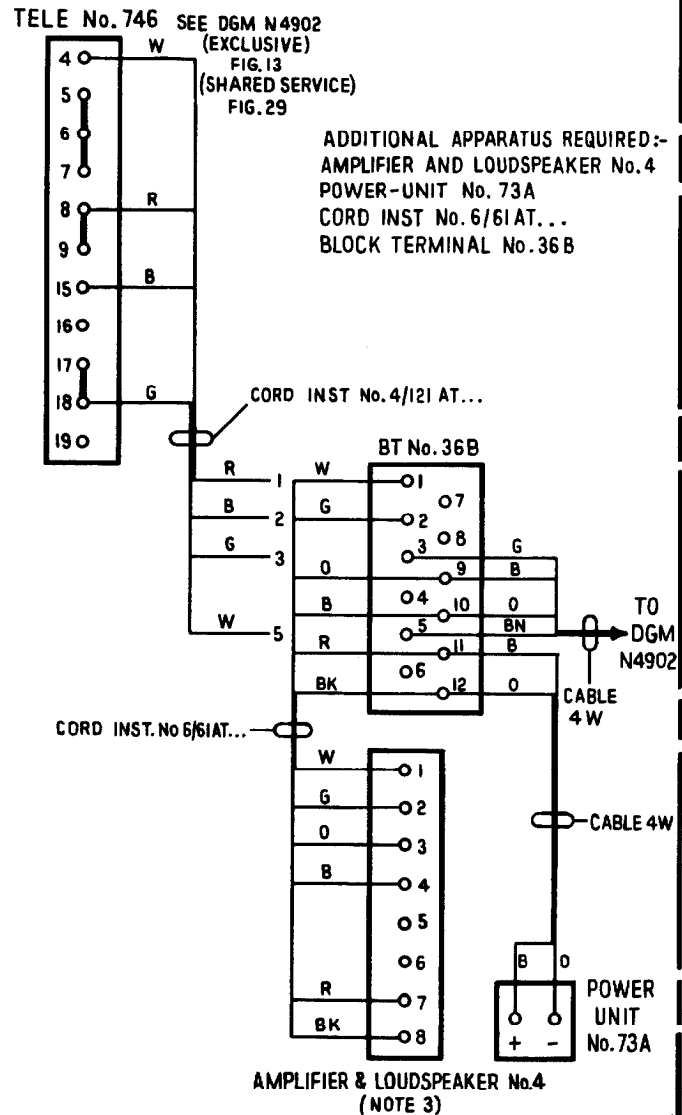
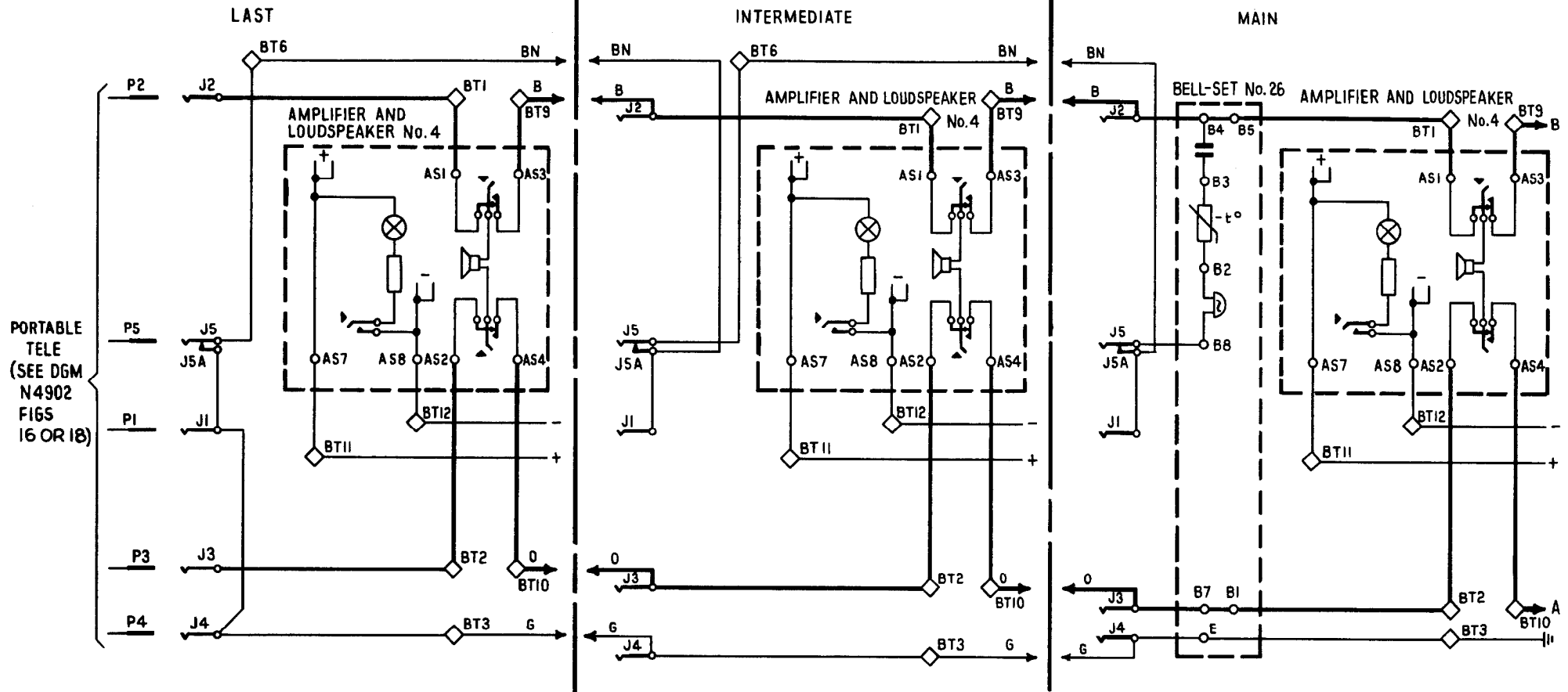


FIG. 11
SHARED SERVICE (SEPARATE METERING)
CONNEXIONS AS SHOWN
EXCLUSIVE SERVICE
GREEN CABLE CONNEXIONS TO BT3 OMITTED.
STRAP T17-T18 OMITTED, T18-T19 AND BT2-BT3 STRAPPED.
BLUE CORD CONDUCTOR SHIFTED FROM T15 TO T17

FIG. 12
SHARED SERVICE (SEPARATE METERING)
CONNEXIONS AS SHOWN
EXCLUSIVE SERVICE
GREEN CABLE CONNEXIONS TO BT3 OMITTED.
CORD INST No. 4/121AT...USED INSTEAD, OMITTING ORANGE
AND BLACK CONNEXIONS TO BT2 AND T15.
T18-T19 AND BT2-BT3 STRAPPED

FIG. 13
SHARED SERVICE (SEPARATE METERING)
CONNEXIONS AS SHOWN
EXCLUSIVE SERVICE
EARTH AND GREEN CABLE CONNEXIONS TO BT3 OMITTED.
T4-T5, T18-T19 AND BT2-BT3 STRAPPED

AMPLIFIER & LOUDSPEAKER No. 4 CONNECTED TO PLAN 4
EXPLANATORY



PORTABLE
TELE
(SEE DGM
N4902
FIGS
16 OR 18)

FIG. 14
SHARED SERVICE (SEPARATE METERING)
CONNEXIONS AS SHOWN
EXCLUSIVE SERVICE
EARTH AND GREEN CABLE CONNEXIONS TO BT3,
E TERMINAL OF BELL-SET No. 26 AND J4 (MAIN) AND
J4 (INTERMEDIATE AND LAST) OMITTED.
J3 - J4 STRAPPED AT ALL JACKS.
THERMISTOR No. 1A-1 OMITTED, B2- B3 STRAPPED.

WIRING

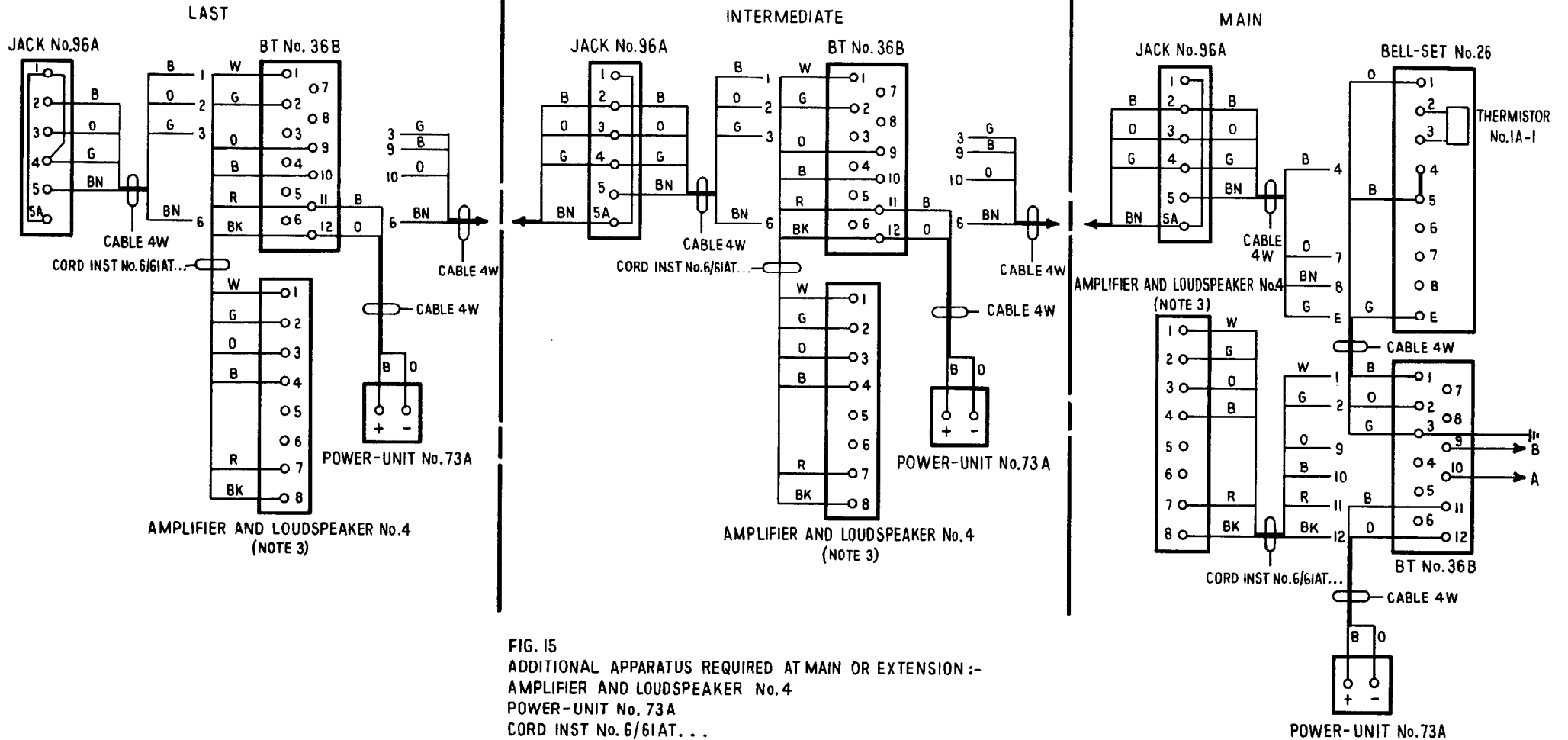


FIG. 15
ADDITIONAL APPARATUS REQUIRED AT MAIN OR EXTENSION :-
AMPLIFIER AND LOUDSPEAKER No.4
POWER-UNIT No.73A
CORD INST No.6/6IAT. . .
BLOCK TERMINAL No.36B

SHARED SERVICE (SEPARATE METERING)
CONNEXIONS AS SHOWN
EXCLUSIVE SERVICE
EARTH AND GREEN CABLE CONNEXIONS TO BT3, E TERMINAL
OF BELL-SET No.26 AND J4 (MAIN) AND J4 (INTERMEDIATE AND LAST) OMITTED.
J3-J4 STRAPPED AT ALL JACKS. THERMISTOR No.1A-1 OMITTED, B2-B3 STRAPPED.