

SPECIAL RANGE TELEPHONES
AMPLIFIER & LOUDSPEAKER No.4 CONNECTED TO DIRECT EXCHANGE LINES AND EXTENSION
PLAN ARRANGEMENTS IA AND 4. EXCLUSIVE AND SHARED SERVICE (SEPARATE METERING)
USING TELEPHONE SRI...A

NOTES:-

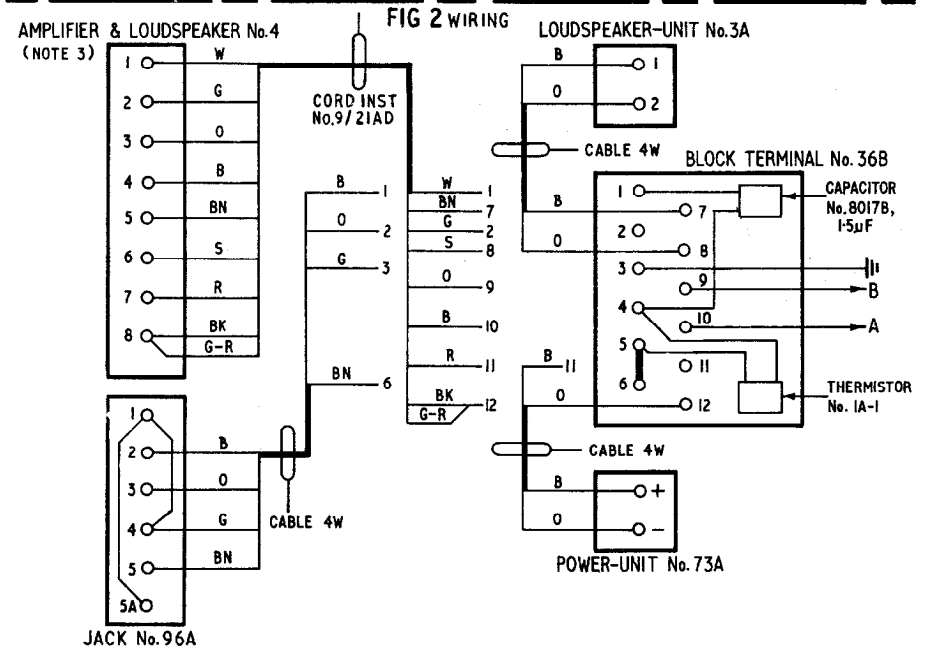
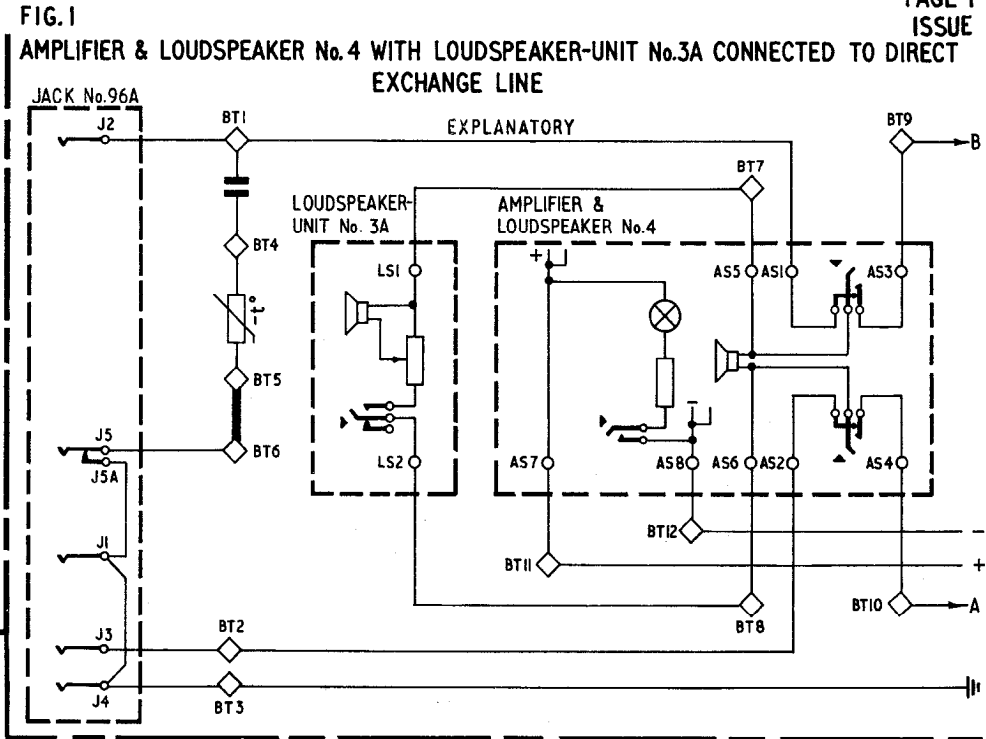
- 1 This diagram to be used in conjunction with Dgm N4901.
- 2 See Dgm N4442 for details of Amplifier & Loudspeaker No.4.
- 3 When an extension Loudspeaker-unit No.3A is required at Amplifier & Loudspeaker No.4, replace Cord Inst No. 6/6IAT with Cord Inst No.9/2IAD. Connect brown cord conductor to Terminals AS5 and BT7, slate cord conductor to Terminals AS6 and BT8. Terminate spare green-red conductor to AS8 and BT12. Using Cable 4W connect Terminals LSI and LS2 of Loudspeaker-unit No. 3A to BT7 and BT8 respectively.

ADDITIONAL APPARATUS REQUIRED:-

- Amplifier and Loudspeaker No. 4
- Power-Unit No.73A
- Loudspeaker-Unit No.3A } NOTE A
- Cord Inst No. 9/2IAD

NOTES:-

- A When an extension Loudspeaker-unit No.3A is not required, use Cord Inst No.6/6IAT, omitting brown and slate connexions to AS5-AS6 and BT7-BT8.
- B SHARED SERVICE (SEPARATE METERING)
 Connexions as shown.
 EXCLUSIVE SERVICE
 Omit earth and green cable connexions to BT3 and J4. Strap Terminals J1-J3-J4. Omit Thermistor No. 1A-1. Connect the Capacitor No. 8017 B between BT1 and BT5



PO TELECOMMS HQ,RS			
PAPER:-R	ISSUE		
DISTN:-NIL	A	CAPACITOR No.8017B VALUE SHOWN. <i>S.A.H.</i>	5-1-78
			TD 7.1.3 26-4-77

AMPLIFIER & LOUDSPEAKER No. 4 CONNECTED TO PLAN IA USING TELEPHONE SRI...A
EXPLANATORY

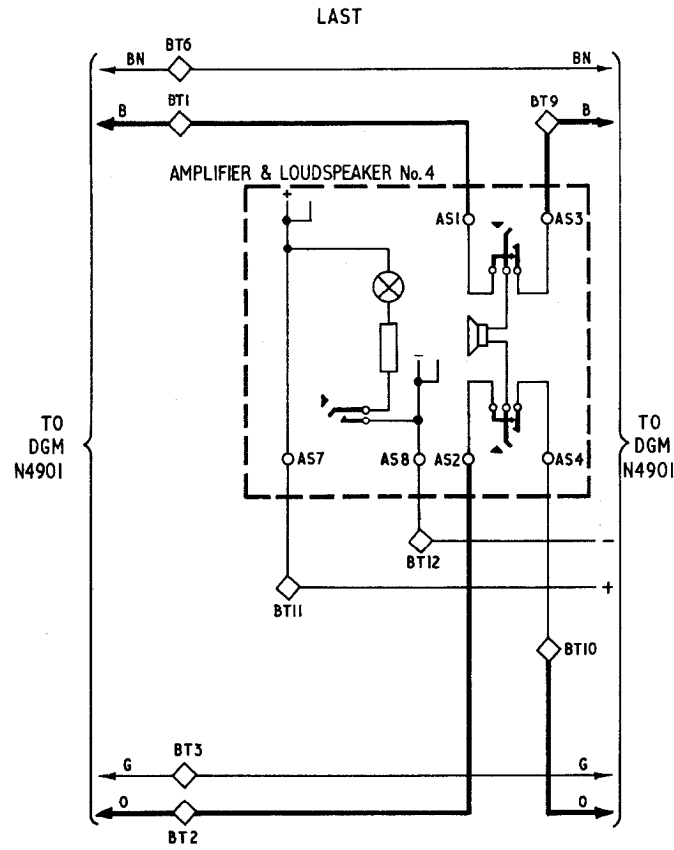


FIG. 3
SHARED SERVICE (SEPARATE METERING)
Connexions as shown.
EXCLUSIVE SERVICE
Green cable connexions to BT3 omitted.

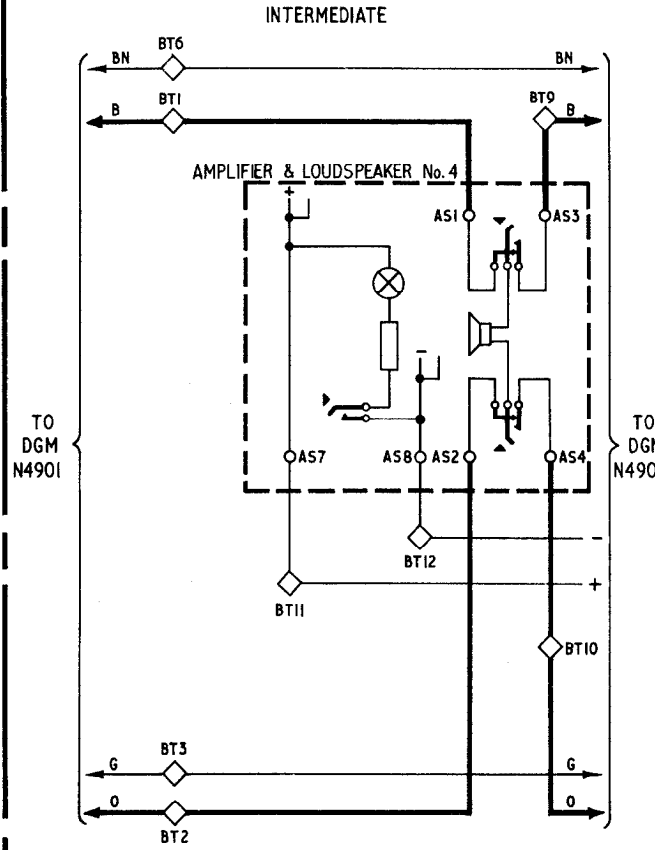


FIG. 4
SHARED SERVICE (SEPARATE METERING)
Connexions as shown.
EXCLUSIVE SERVICE
Green cable connexions to BT3 omitted.

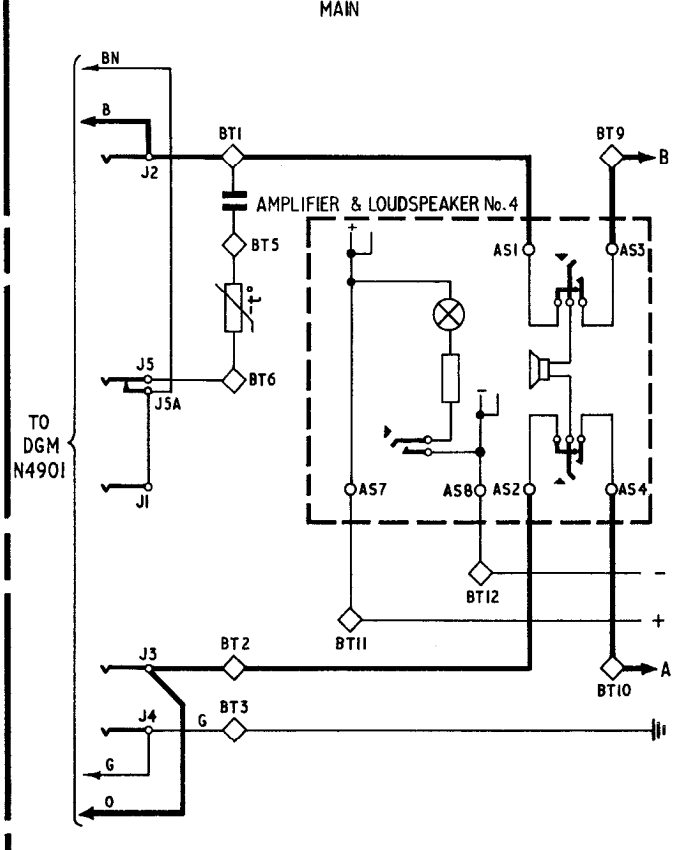


FIG. 5
SHARED SERVICE (SEPARATE METERING)
Connexions as shown.
EXCLUSIVE SERVICE
Earth and green cable connexions to BT3 and J4 omitted, J3 and J4 strapped.
Thermistor No. IA-1 omitted, BT5 and BT6 strapped.

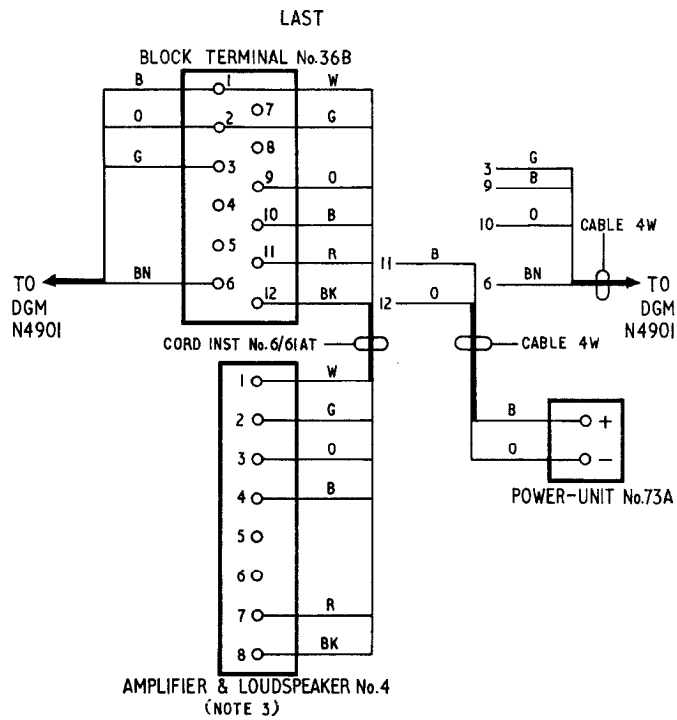


FIG. 6

ADDITIONAL APPARATUS REQUIRED:-

- Amplifier & Loudspeaker No.4
- Power-unit No.73A
- Cord Inst No.6/61AT
- Block Terminal No.36B

SHARED SERVICE (SEPARATE METERING)
Connexions as shown.
EXCLUSIVE SERVICE
Green cable connexions to BT3 omitted.

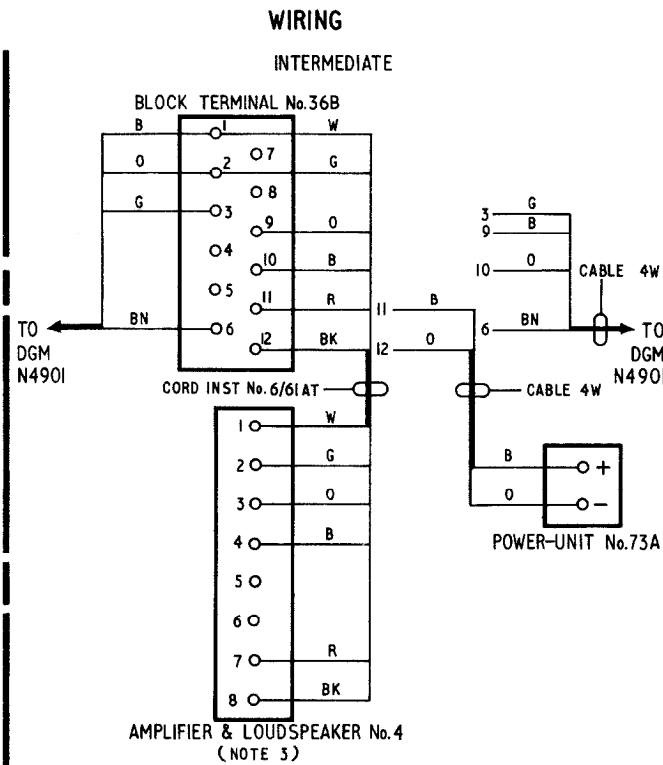


FIG. 7

ADDITIONAL APPARATUS REQUIRED:-

- Amplifier & Loudspeaker No.4
- Power-unit No.73A
- Cord Inst No.6/61AT
- Block Terminal No.36B

SHARED SERVICE (SEPARATE METERING)
Connexions as shown.
EXCLUSIVE SERVICE
Green cable connexions to BT3 omitted.

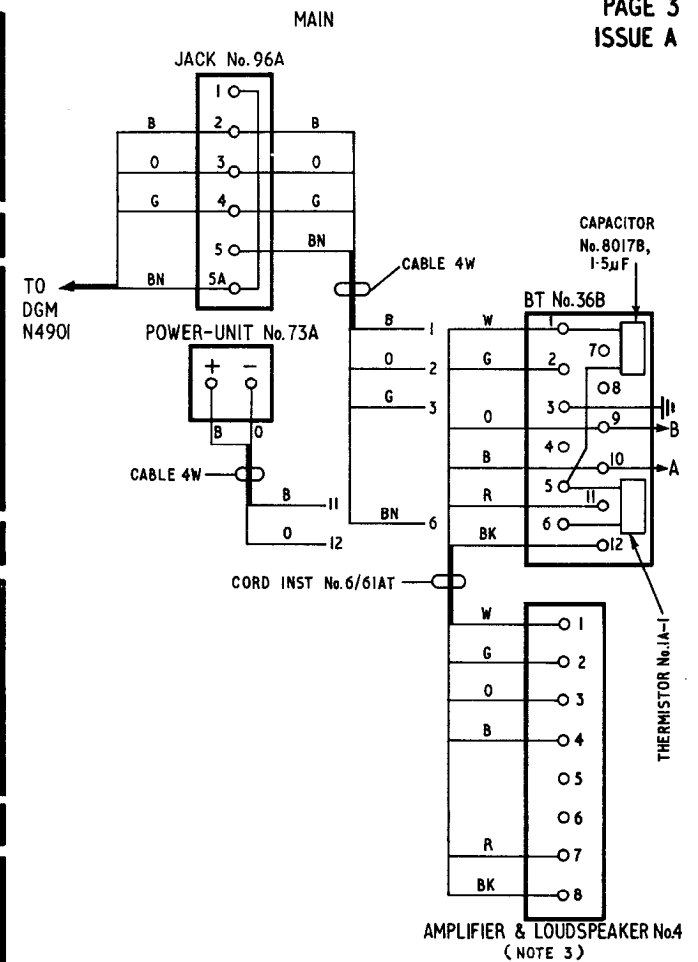


FIG. 8

ADDITIONAL APPARATUS REQUIRED:-

- Amplifier & Loudspeaker No.4
- Power-unit No.73A
- Cord Inst No.6/61AT

SHARED SERVICE (SEPARATE METERING)
Connexions as shown.
EXCLUSIVE SERVICE
Earth and green cable connexions to BT3 and J4 omitted. J3 and J4 strapped. Thermistor No. IA-1 omitted, BT5 and BT6 strapped.

AMPLIFIER & LOUDSPEAKER No. 4 CONNECTED TO PLAN IA USING TELEPHONE No. 746
EXPLANATORY

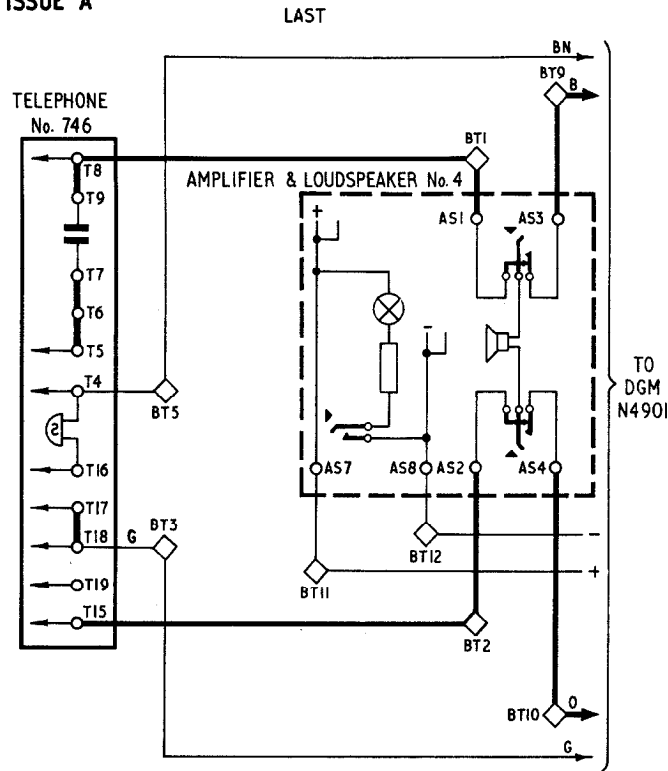


FIG. 9
SHARED SERVICE (SEPARATE METERING)
Connexions as shown.
EXCLUSIVE SERVICE
Green cable connexions to BT3 omitted. Strap T17-T18 omitted. T18 and T19 and BT2-BT3 strapped. BT2 connected to T17.

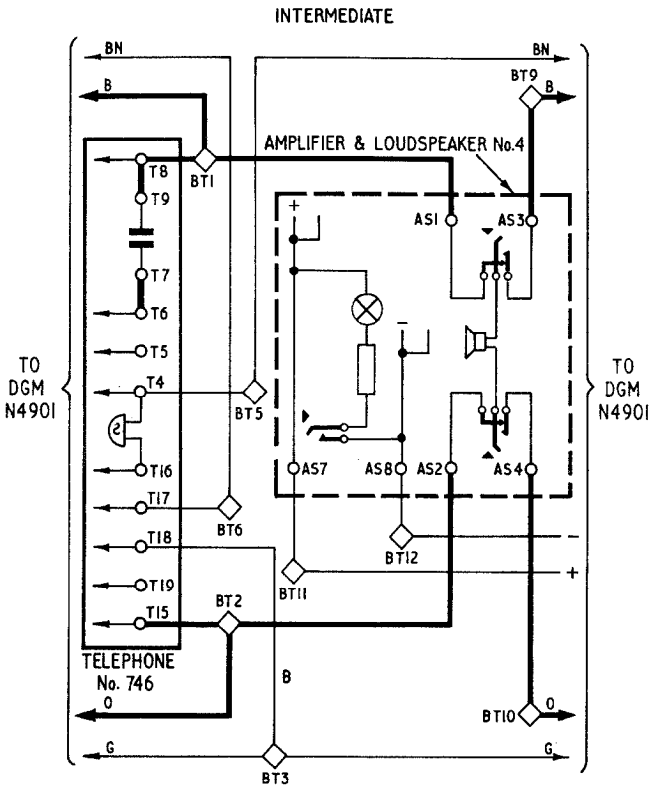


FIG. 10
SHARED SERVICE (SEPARATE METERING)
Connexions as shown.
EXCLUSIVE SERVICE
Green cable connexions to BT3 omitted. T18 and T19 and BT2-BT3 strapped.

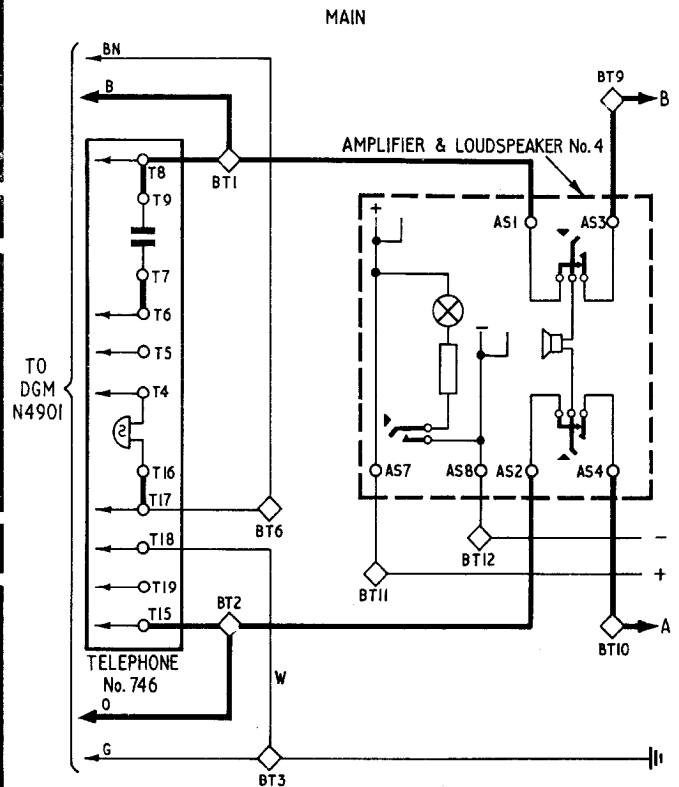


FIG. 11
SHARED SERVICE (SEPARATE METERING)
Connexions as shown.
EXCLUSIVE SERVICE
Earth and green cable connexions to BT3 omitted, BT2-BT3 strapped. Terminals T4-T5 and T18-T19 strapped.

WIRING

LAST

INTERMEDIATE

MAIN

TELEPHONE No. 746
(SEE DGM N4901)

ADDITIONAL APPARATUS REQUIRED:-
Amplifier & Loudspeaker No. 4
Power-unit No. 73A
Cord Inst No. 6/61AT
Block Terminal No. 36B

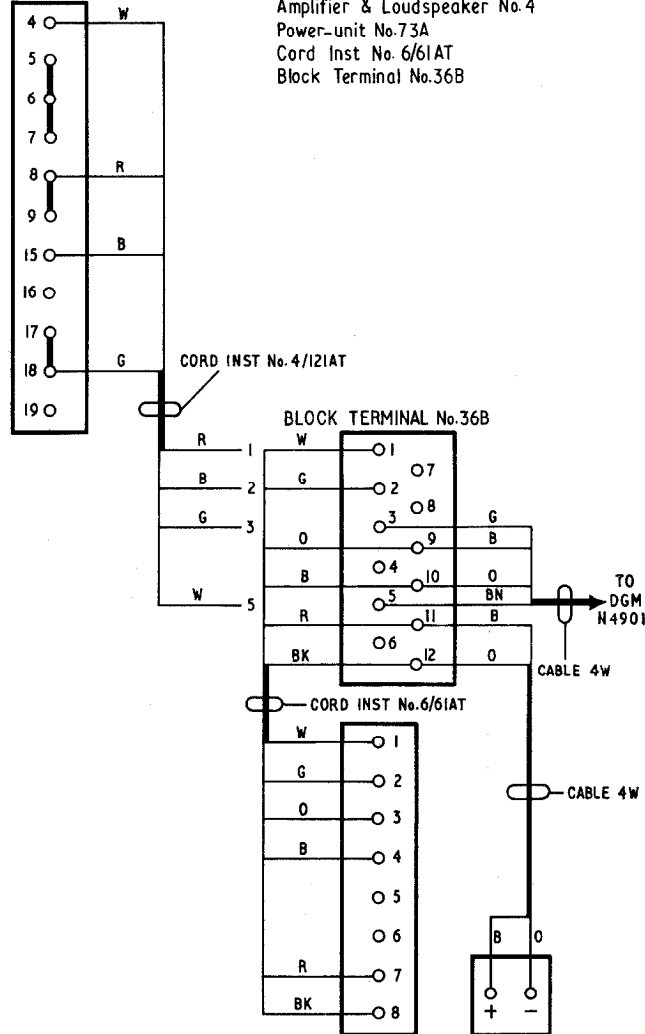


FIG. 12

SHARED SERVICE (SEPARATE METERING)

Connexions as shown.

EXCLUSIVE SERVICE

Green cable connexions to BT3 omitted. Strap T17-T18 omitted. T18-T19 and BT2-BT3 strapped. Blue cord conductor shifted from T15 to T17.

TELEPHONE No. 746
(SEE DGM N4901)

ADDITIONAL APPARATUS REQUIRED:-
Amplifier & Loudspeaker No. 4
Power-unit No. 73A
Cord Inst No. 6/61 AT
Block Terminal No. 36B

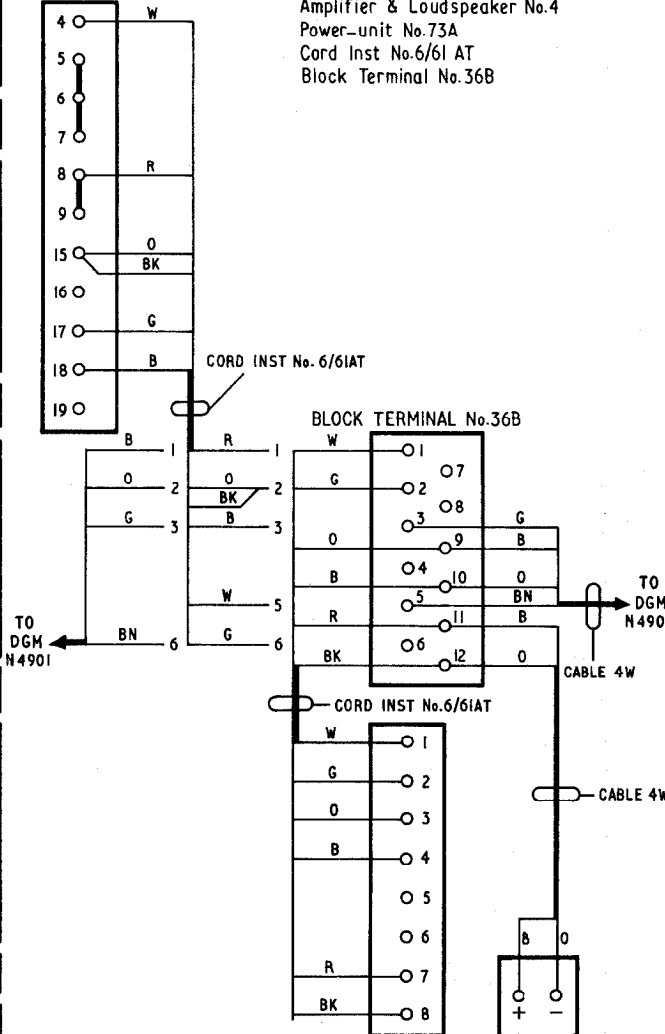


FIG. 13

SHARED SERVICE (SEPARATE METERING)

Connexions as shown.

EXCLUSIVE SERVICE

Green cable connexions to BT3 omitted. Cord Inst No 4/121AT used instead, omitting orange and black connexions to BT2 and T15. T18-T19 and BT2-BT3 strapped.

TELEPHONE No. 746
(SEE DGM N4901)

ADDITIONAL APPARATUS REQUIRED:-
Amplifier & Loudspeaker No. 4
Power-unit No. 73A
Cord Inst No. 6/61 AT
Block Terminal No. 36B

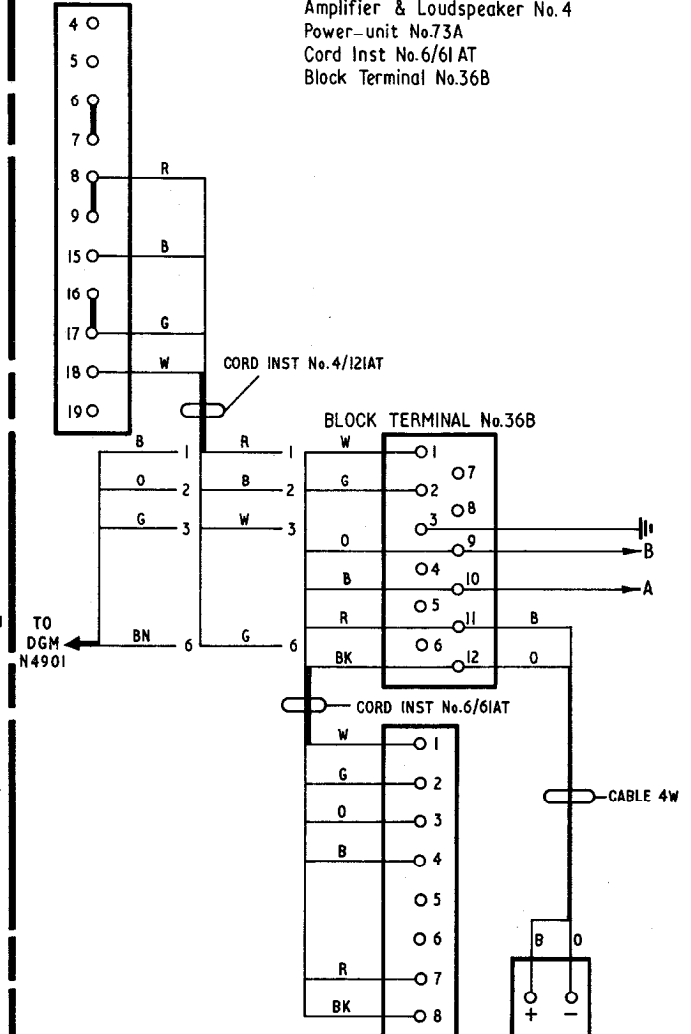


FIG. 14

SHARED SERVICE (SEPARATE METERING)

Connexions as shown.

EXCLUSIVE SERVICE

Earth and green cable connexions to BT3 omitted. T4-T5, T18-T19 and BT2-BT3 strapped.

AMPLIFIER & LOUDSPEAKER No.4 CONNECTED TO PLAN 4
EXPLANATORY

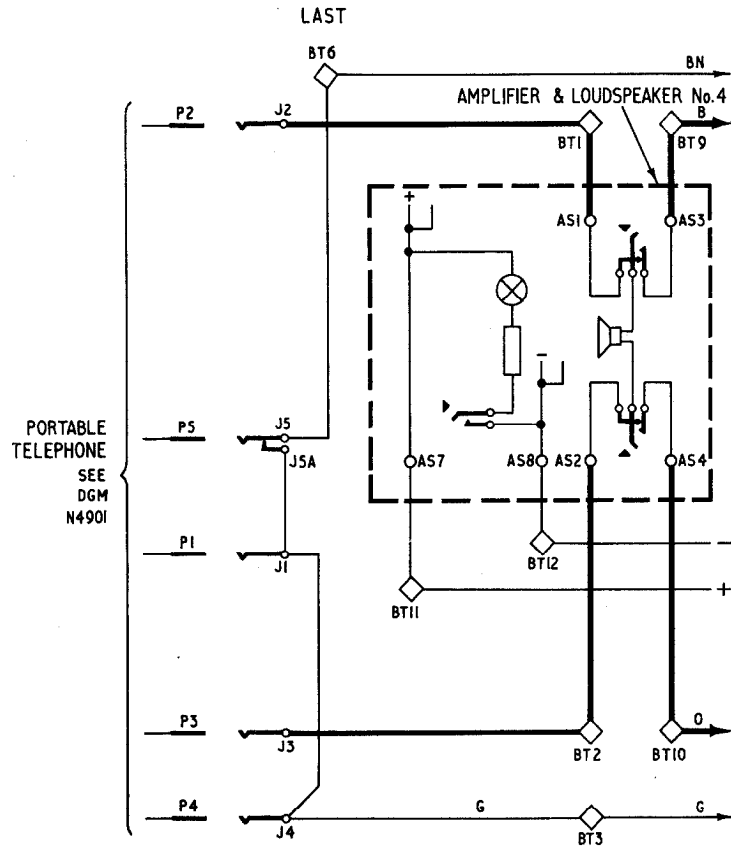


FIG. 15
SHARED SERVICE (SEPARATE METERING)
Connexions as shown.
EXCLUSIVE SERVICE
Green cable connexions to BT3 and J4 omitted.
J3-J4 strapped

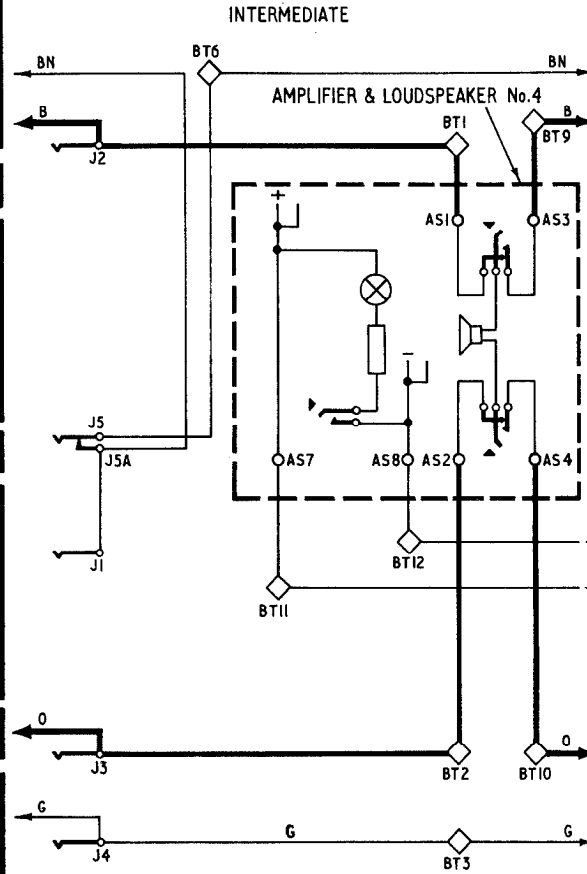


FIG. 16
SHARED SERVICE (SEPARATE METERING)
Connexions as shown.
EXCLUSIVE SERVICE
Green cable connexions to BT3 and J4 omitted.
J3-J4 strapped

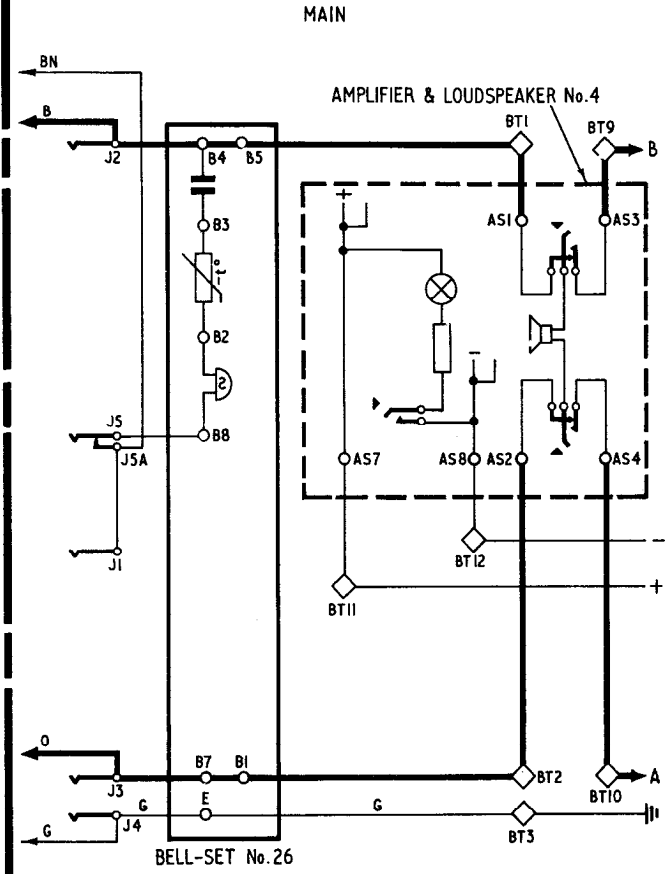


FIG. 17
SHARED SERVICE (SEPARATE METERING)
Connexions as shown.
EXCLUSIVE SERVICE
Earth and green cable connexions to BT3, E terminal of Bell-Set No. 26 and J4 omitted. J3-J4 strapped. Thermistor No. 1A-1 omitted. B2-B3 strapped

LAST

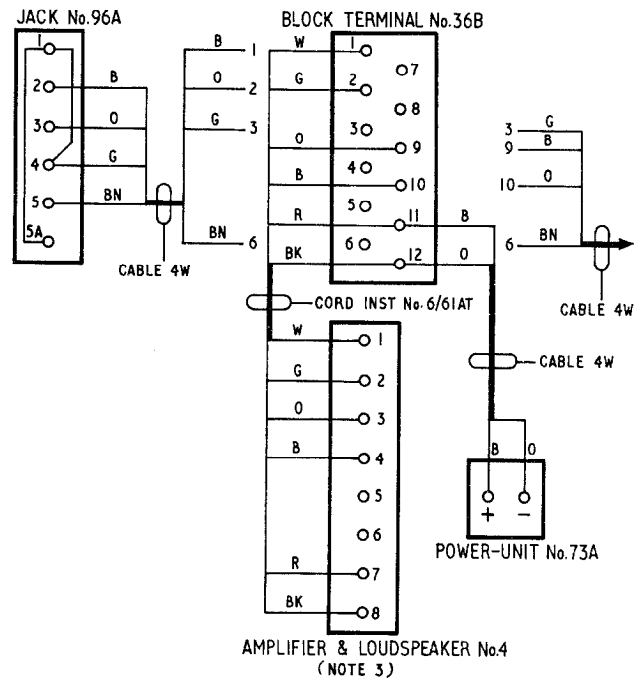


FIG. 18

ADDITIONAL APPARATUS REQUIRED

- Amplifier & Loudspeaker No. 4
- Power-unit No. 73A
- Cord Inst No. 6/61AT
- Block Terminal No. 36B

SHARED SERVICE (SEPARATE METERING)

Connexions as shown.

EXCLUSIVE SERVICE

Green cable connexions to BT3 and J4 omitted.
J3-J4 strapped

INTERMEDIATE

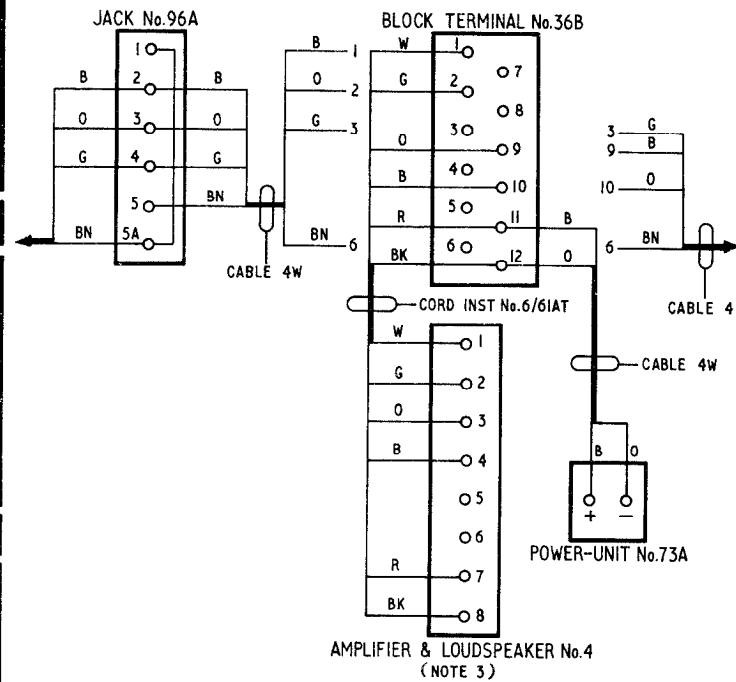


FIG. 19

ADDITIONAL APPARATUS REQUIRED

- Amplifier & Loudspeaker No. 4
- Power-unit No. 73A
- Cord Inst No. 6/61AT
- Block Terminal No. 36B

SHARED SERVICE (SEPARATE METERING)

Connexions as shown.

EXCLUSIVE SERVICE

Green cable connexions to BT3 and J4 omitted.
J3-J4 strapped

MAIN

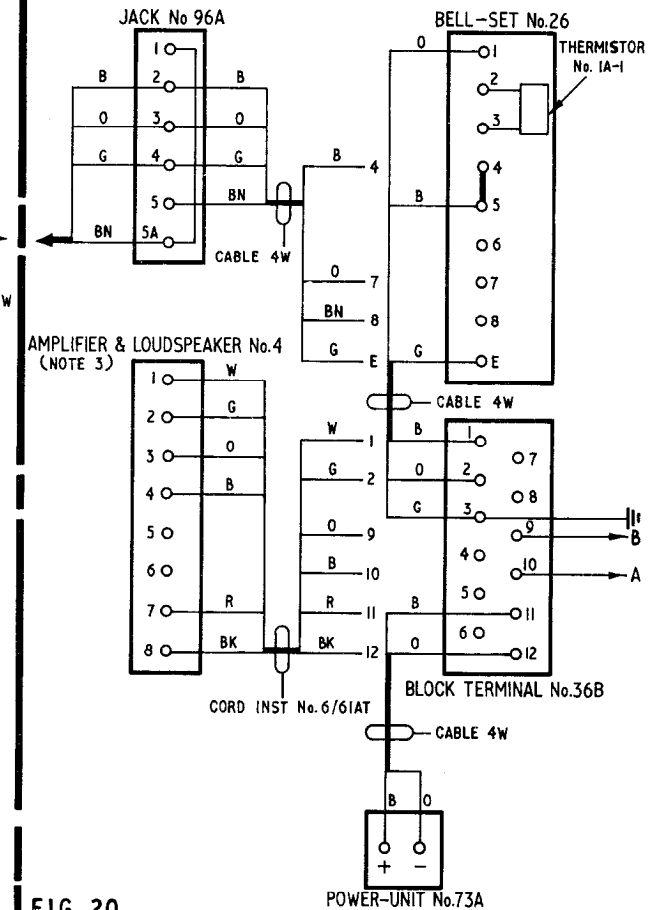


FIG. 20

ADDITIONAL APPARATUS REQUIRED

- Amplifier & Loudspeaker No. 4
- Power-unit No. 73A
- Cord Inst No. 6/61AT
- Block Terminal No. 36B

SHARED SERVICE (SEPARATE METERING)

Connexions as shown.

EXCLUSIVE SERVICE

Earth and green cable connexions to BT3, E terminal of Bell-Set No. 26 and J4 omitted. J3-J4 strapped. Thermistor No. 1A-1 omitted, B2-B3 strapped