

SPECIAL RANGE TELEPHONES
AMPLIFIER AND LOUDSPEAKER No.5 CONNECTED TO DIRECT EXTENSION AND
PLAN IA ARRANGEMENTS FOR 2-WIRE PBX EXTENSIONS WITH RECALL
USING TELEPHONE SRI...D

NOTES:-

- 1 This diagram is to be used in conjunction with Diagram N4904.
- 2 See Diagram N4440 for details of Amplifier and Loudspeaker No.5.
- 3 The line current must be between 30-90mA for successful operation of the Amplifier and Loudspeaker No.5. If required, a suitable value Resistor Coil No.35A should be connected in place of the strap between Terminals B5-B9 in Bell-Set No.26.

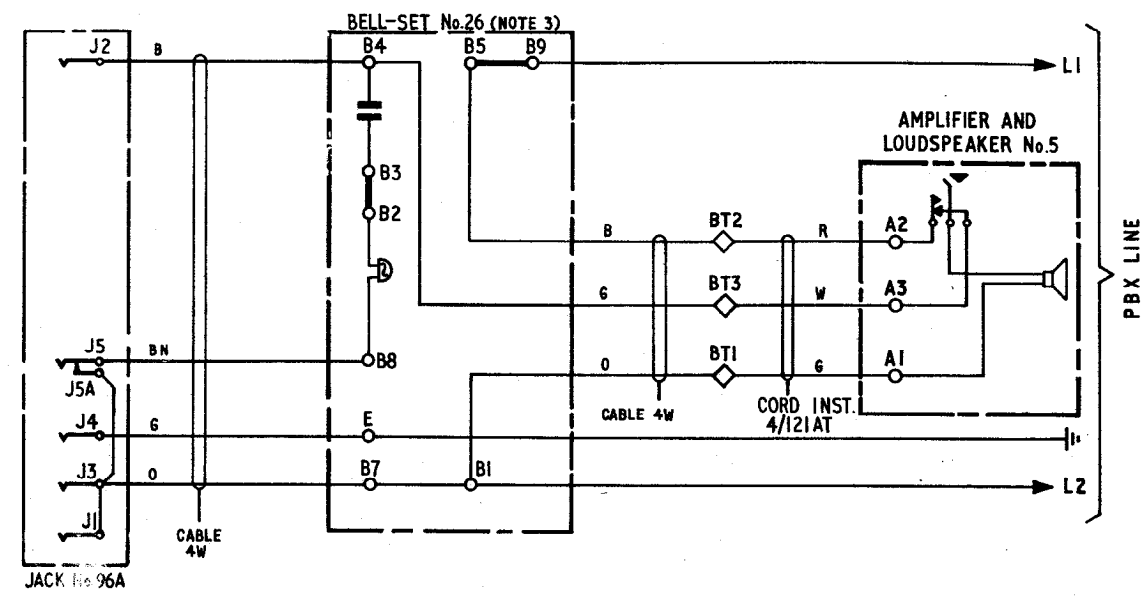


FIG.1 AMPLIFIER AND LOUDSPEAKER No.5 CONNECTED TO A DIRECT EXTENSION
ADDITIONAL APPARATUS REQUIRED:-
Amplifier and Loudspeaker No.5
Block Terminal No.52A
NOTE:-
A. See Diagram N4904 for details of telephone.

PO TELECOMMS HQRS	ISSUE		
		<i>A. Kar.</i>	TD 7-1-3 9-5-77
PAPER:- R			
DISTN:- NIL			

AMPLIFIER AND LOUDSPEAKER No.5 CONNECTED TO PLAN 1A

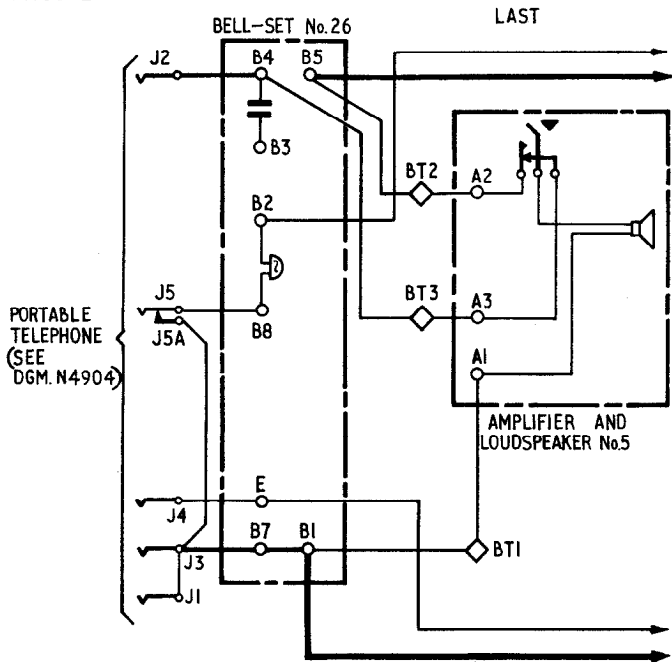


FIG. 2 USING TELEPHONE SRI...

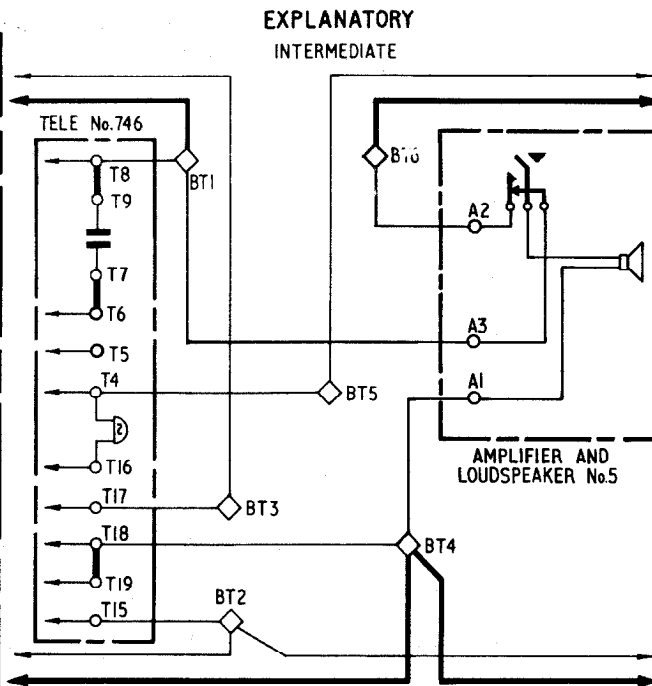


FIG. 3 USING TELEPHONE No. 746

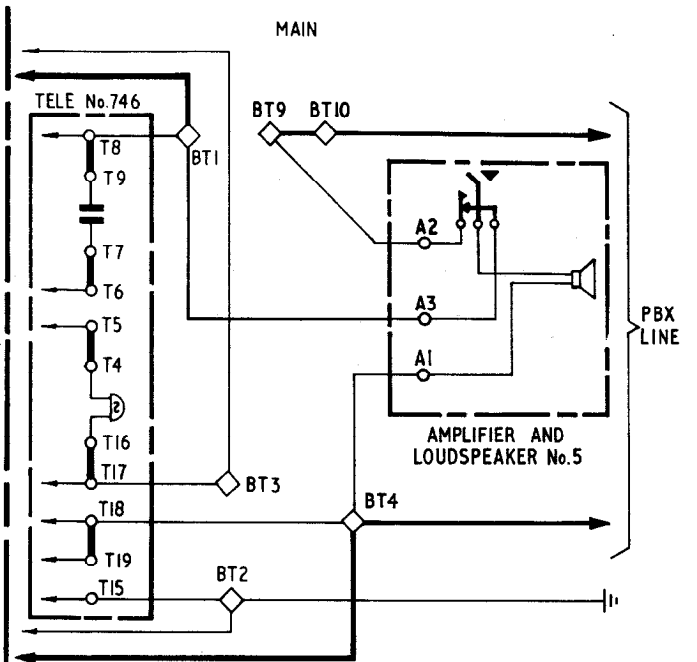


FIG. 4 USING TELEPHONE No. 746

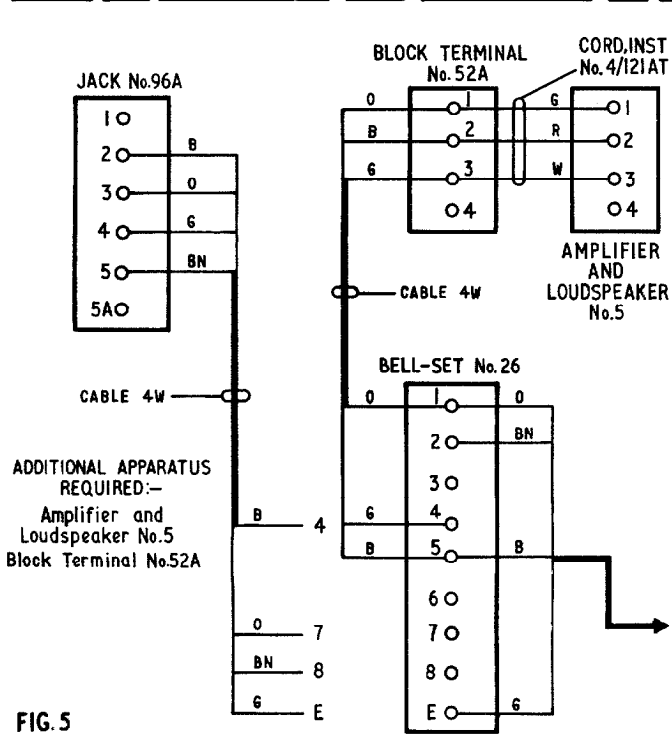


FIG. 5

ADDITIONAL APPARATUS
REQUIRED:-
Amplifier and
Loudspeaker No.5
Block Terminal No.52A

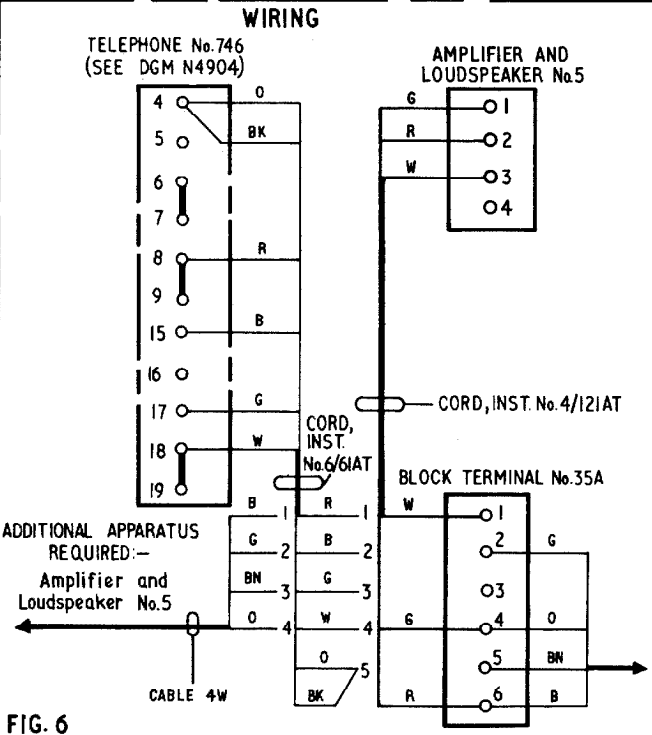


FIG. 6

ADDITIONAL APPARATUS
REQUIRED:-
Amplifier and
Loudspeaker No.5

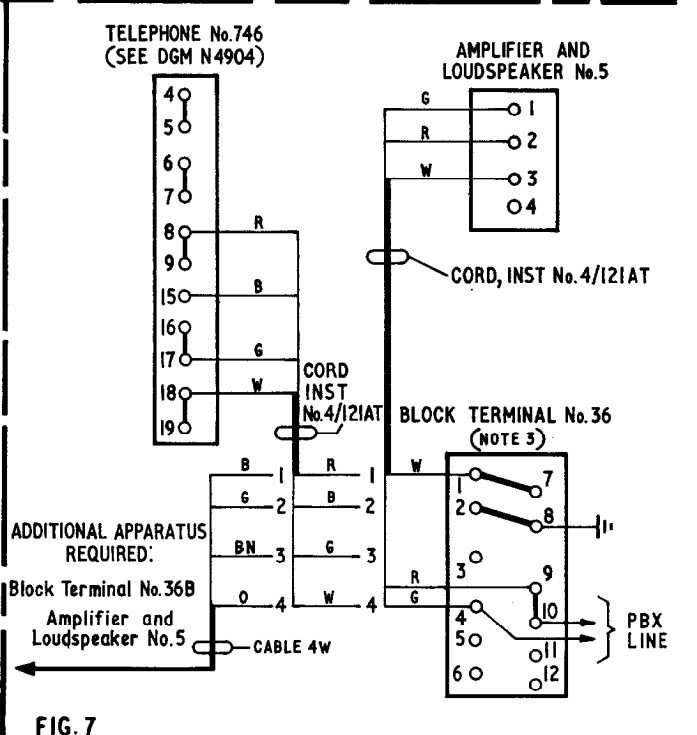


FIG. 7

ADDITIONAL APPARATUS
REQUIRED:
Block Terminal No.36B
Amplifier and
Loudspeaker No.5

WIRING

TELEPHONE No.746
(SEE DGM N4904)

AMPLIFIER AND
LOUDSPEAKER No.5

TELEPHONE No.746
(SEE DGM N4904)

AMPLIFIER AND
LOUDSPEAKER No.5

CORD, INST No.4/121AT

CORD, INST No.4/121AT

BLOCK TERMINAL No.36
(NOTE 3)

PBX LINE