

SPECIAL RANGE TELEPHONES

AMPLIFIER AND LOUDSPEAKER No.5 CONNECTED TO DIRECT EXTENSION AND
PLAN IA ARRANGEMENTS FOR 2-WIRE PBX EXTENSIONS WITH RECALL.
USING TELEPHONE SRI...C.

NOTES:-

- 1 This diagram is to be used in conjunction with Diagram N4903.
- 2 See Diagram N4440 for details of Amplifier and Loudspeaker No.5.
- 3 The line current must be between 30-90 mA for successful operation of the Amplifier and Loudspeaker No.5. If required, a suitable value Resistor Coil No.35A should be connected in place of the strap between Terminals BT9-BT10 in Block Terminal No.36B.

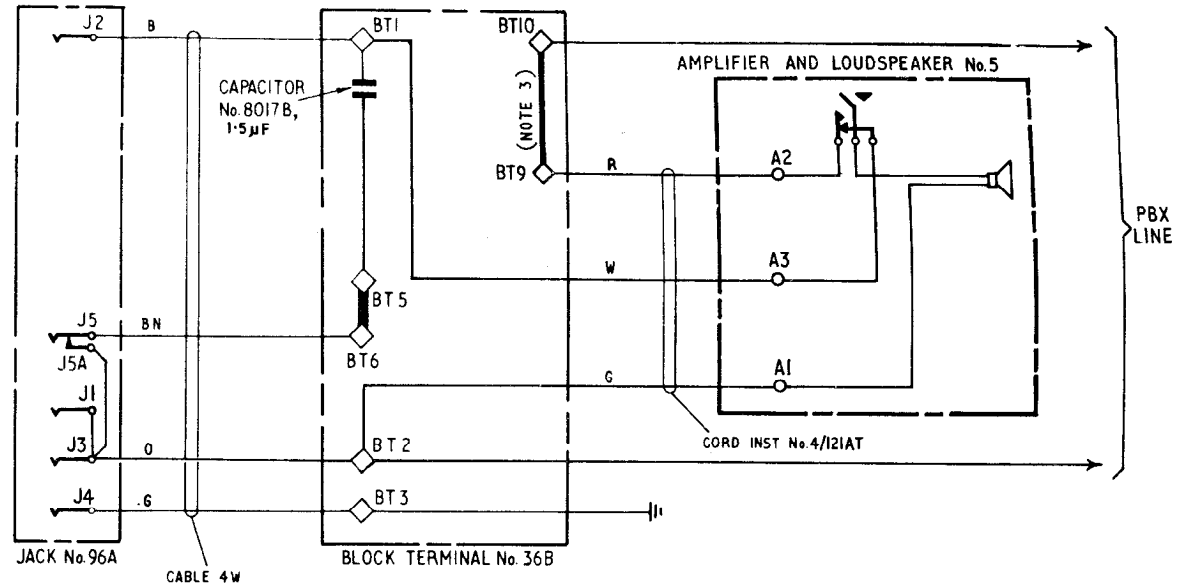


FIG.1 AMPLIFIER AND LOUDSPEAKER No.5 CONNECTED TO A DIRECT EXTENSION

ADDITIONAL APPARATUS REQUIRED:-
Amplifier and Loudspeaker No.5

NOTE:-

A. See Diagram N4903 for details of telephone.

TELECOMMS I,Q,R,S			
ISSUE	A	CAPACITOR No.8017B VALUE SHOWN. MINOR AMENDMENTS. <i>S.A.M.</i>	5-1-78
APER:- R			
ISTN:- NIL		<i>M.M. Moore</i>	TD 7-1-3 2-6-77

AMPLIFIER AND LOUDSPEAKER No.5 CONNECTED TO PLAN IA

EXPLANATORY

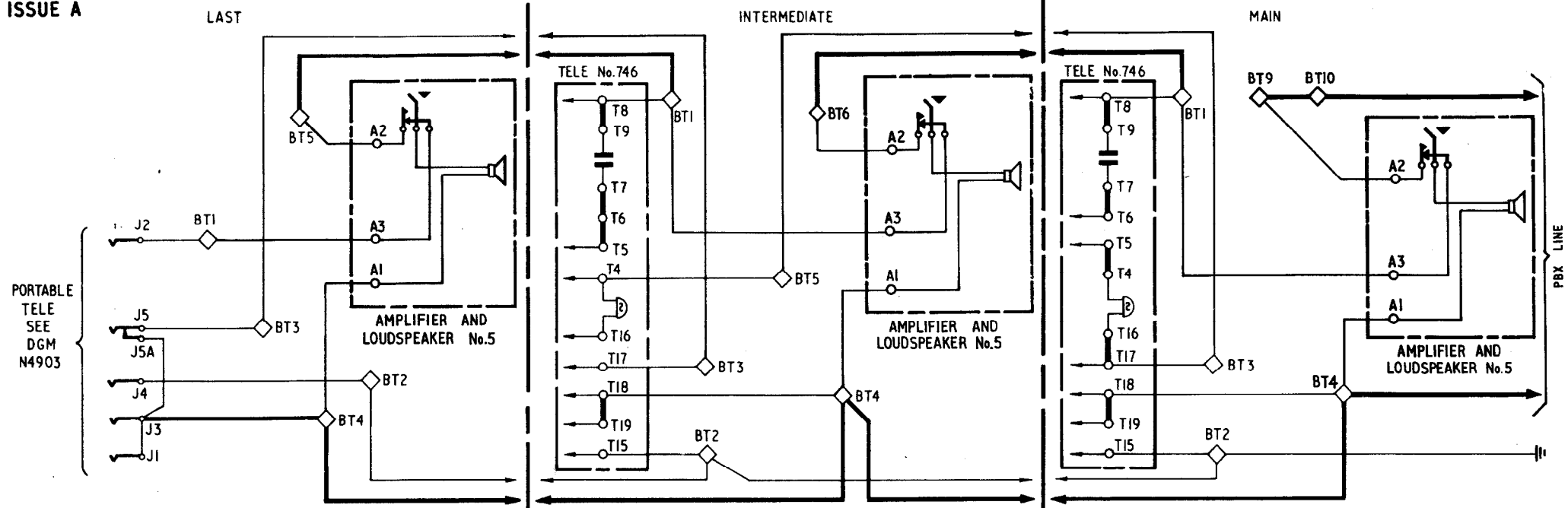


FIG. 2 USING TELEPHONE SRI...C

FIG. 3 USING TELEPHONE No. 746

FIG. 4 USING TELEPHONE No. 746

WIRING

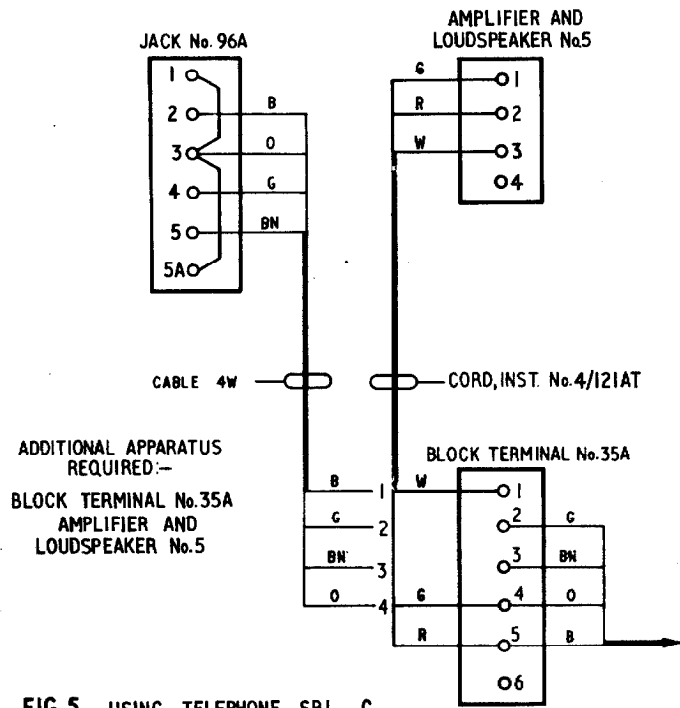


FIG. 5 USING TELEPHONE SRI...C

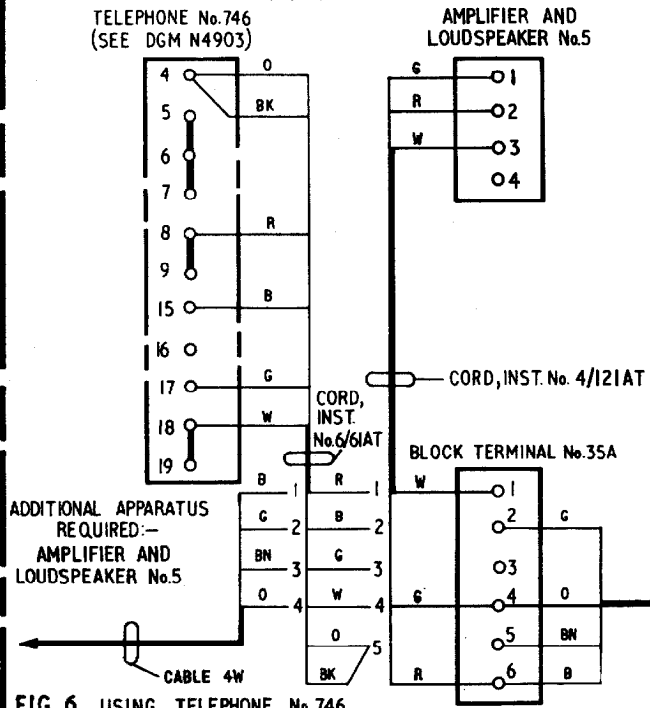


FIG. 6 USING TELEPHONE No. 746

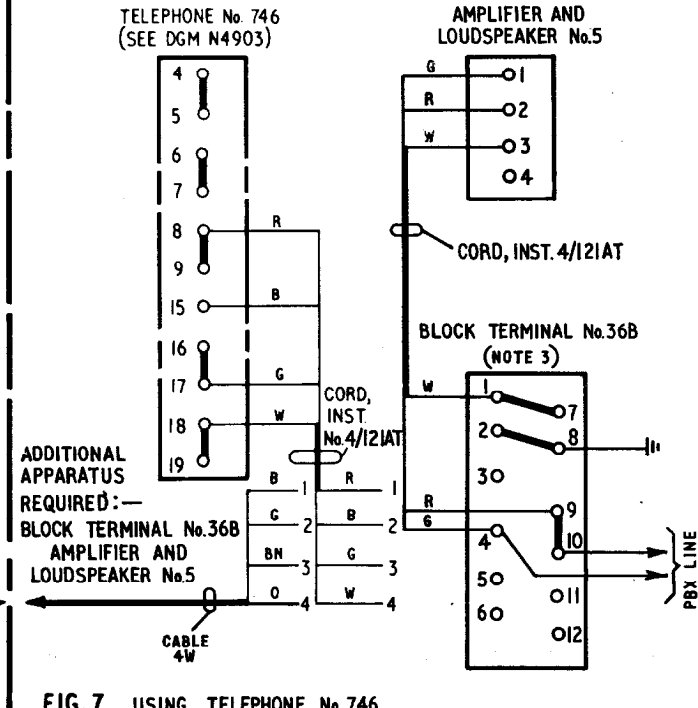


FIG. 7 USING TELEPHONE No. 746