

SPECIAL RANGE TELEPHONES
AMPLIFIER AND LOUDSPEAKER No.5 CONNECTED TO DIRECT EXCHANGE LINES AND EXTENSION PLAN ARRANGEMENTS 1A AND 4 EXCLUSIVE AND SHARED SERVICE (SEPARATE METERING) USING TELEPHONE SRI... B.

NOTES:-

- 1 This diagram is to be used in conjunction with Diagram N4902.
- 2 See Diagram N4440 for details of Amplifier and Loudspeaker No.5.
- 3 The line current must be between 30-90 ma for successful operation of the Amplifier and Loudspeaker No.5 (TI C3 M1060 refers). A suitable value Resistor Coil No.35A may be connected in place of the strap between Terminals BT9-10 in Block Terminal No.36B, or Terminals B5-B9 in Bell-Set No.26, depending upon which item is provided.

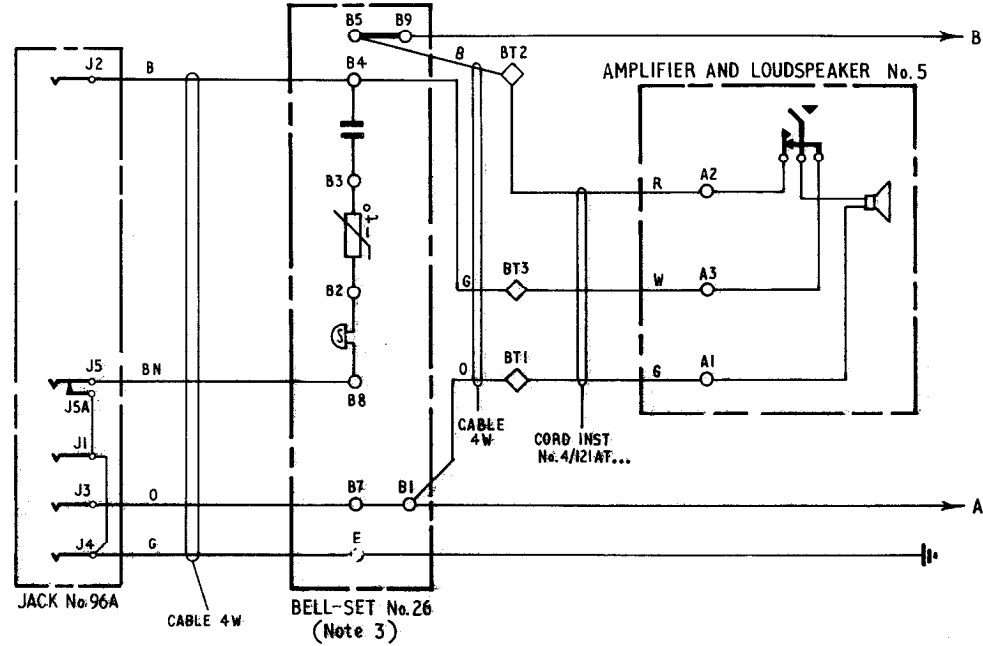


FIG. 1 AMPLIFIER AND LOUDSPEAKER No.5 CONNECTED TO A DIRECT EXCHANGE LINE

ADDITIONAL APPARATUS
REQUIRED:-
Amplifier and Loudspeaker No.5
Block Terminal No.52A

SHARED SERVICE (SEPARATE METERING)
Connexions as shown
EXCLUSIVE SERVICE
Earth and green cable connexions to E
and J4 omitted, J1-J3-J4 strapped.
Thermistor No.1A-1 omitted, B2-B3
strapped.

NOTE:-
A See Dgm. N4902 for details of
telephone

ECOMMS IS			
ER:- R	ISSUE		
TN:- NIL			
		TD 7-1-3	2-6-77

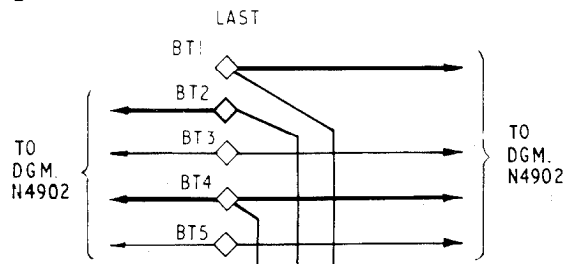


FIG. 2
USING TELE. SRI...B
SHARED SERVICE
(SEPARATE METERING)
Connexions as shown.
EXCLUSIVE SERVICE
Connexions
to BT5 omitted.

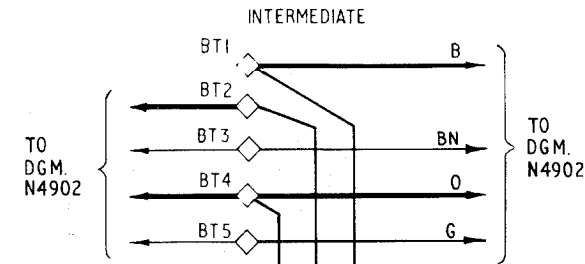
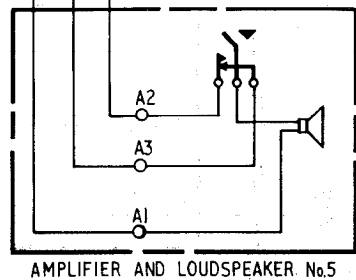


FIG. 3
USING TELE. SRI...B
SHARED SERVICE
(SEPARATE METERING)
Connexions as shown.
EXCLUSIVE SERVICE
Connexions
to BT5 omitted.

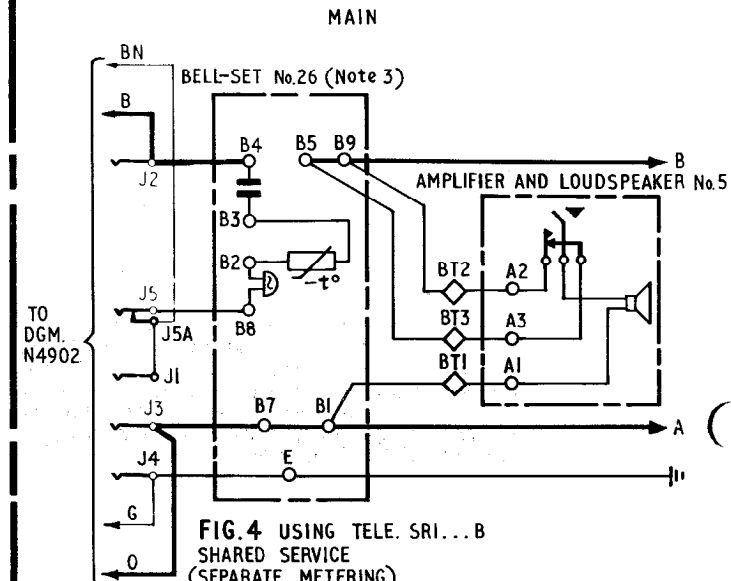
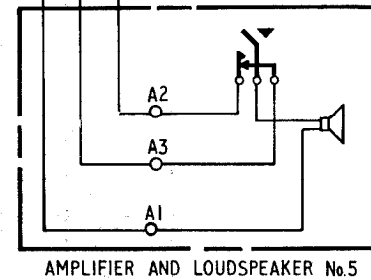


FIG. 4 USING TELE. SRI...B
SHARED SERVICE
(SEPARATE METERING)
Connexions as shown.
EXCLUSIVE SERVICE—Earth and Green cable
connexions to E & J4 omitted, J3-J4 strapped,
Thermistor No.1A-1 omitted, B2-B3 strapped.

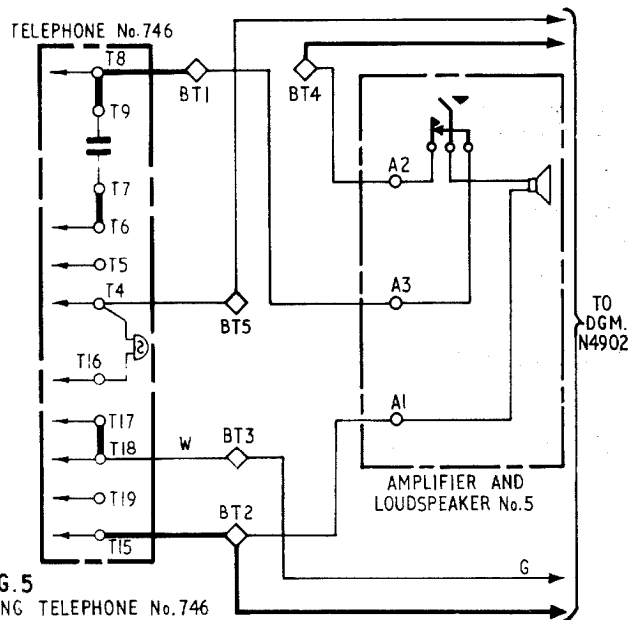


FIG. 5
USING TELEPHONE No.746
SHARED SERVICE
(SEPARATE METERING)
Connexions as shown.
EXCLUSIVE SERVICE
Green cable connexion to BT3 omitted, Strap T17-T18 omitted.
T18-T19 & BT2-BT3 strapped, BT2 connected to T17.

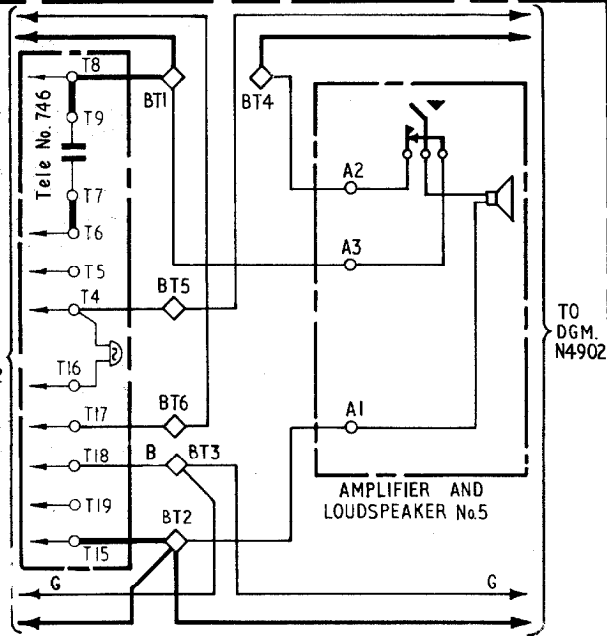


FIG. 6 USING TELEPHONE No.746
SHARED SERVICE (SEPARATE METERING)
Connexions as shown.
EXCLUSIVE SERVICE. Green cable connexions to BT3 omitted.
T18-T19 & BT2-BT3 strapped.

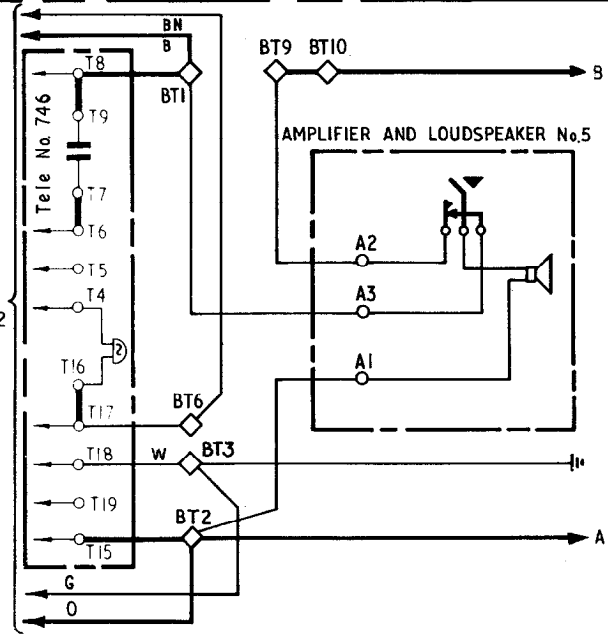


FIG. 7 USING TELEPHONE No.746
SHARED SERVICE (SEPARATE METERING)
Connexions as shown.
EXCLUSIVE SERVICE. Earth and Green cable connexions to BT3
omitted. T4-T5, T18-T19 & BT2-BT3 strapped.

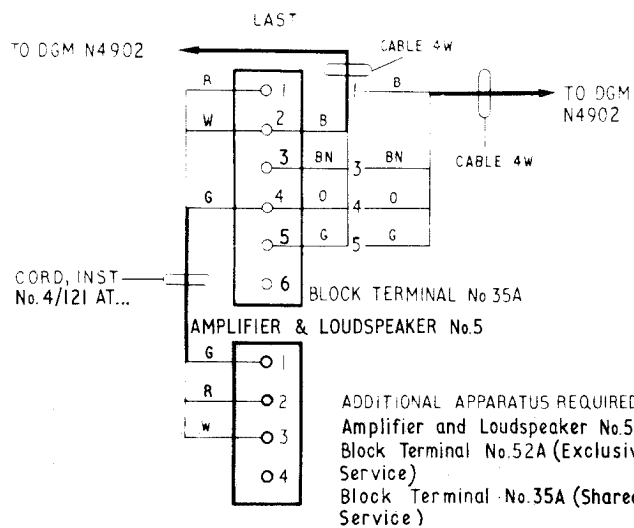


FIG. 8 USING TELEPHONE SRI..B
 SHARED SERVICE (SEPARATE METERING)
 Connexions as shown
 EXCLUSIVE SERVICE
 Green cable connexions to BT5 omitted.

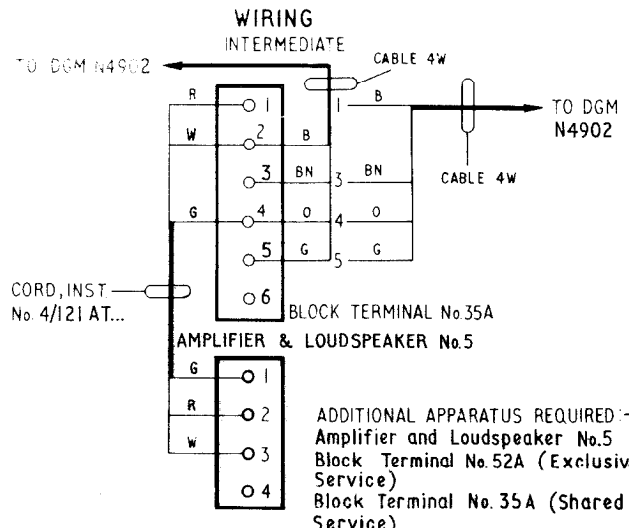


FIG. 9 USING TELEPHONE SRI..B
 SHARED SERVICE (SEPARATE METERING)
 Connexions as shown
 EXCLUSIVE SERVICE
 Green cable connexions to BT5 omitted.

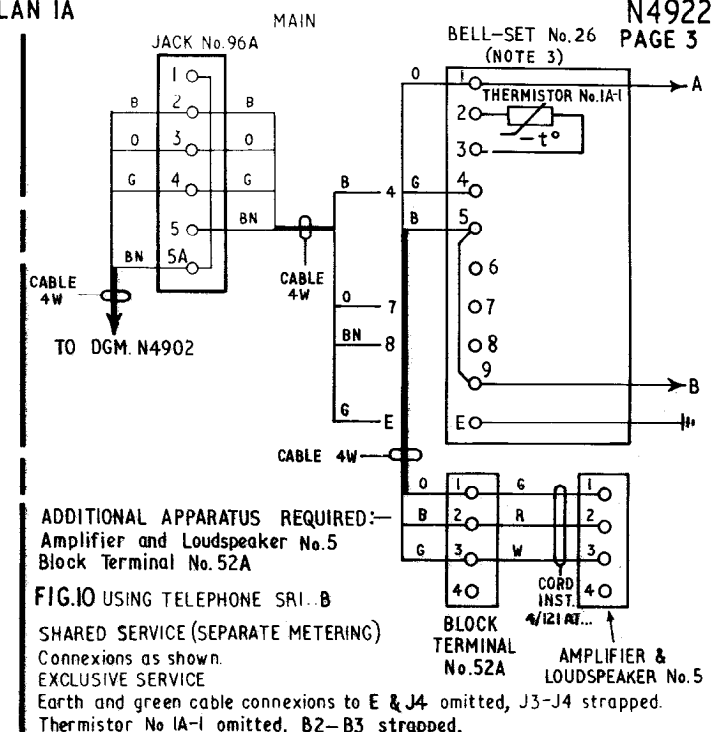


FIG. 10 USING TELEPHONE SRI..B
 SHARED SERVICE (SEPARATE METERING)
 Connexions as shown.
 EXCLUSIVE SERVICE
 Earth and green cable connexions to E & J4 omitted, J3-J4 strapped.
 Thermistor No 1A-1 omitted, B2-B3 strapped.

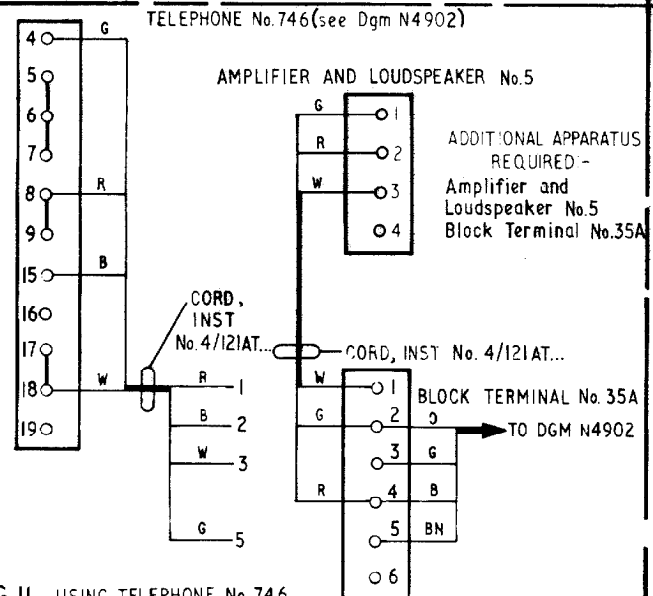


FIG. 11 USING TELEPHONE No. 746
 SHARED SERVICE (SEPARATE METERING)
 Connexions as shown
 EXCLUSIVE SERVICE
 Green cable connexion to BT3 omitted, Strap T17-T18 omitted, T18-T19 and BT2-BT3 strapped. Shift blue cord conductor from T15 to T17.

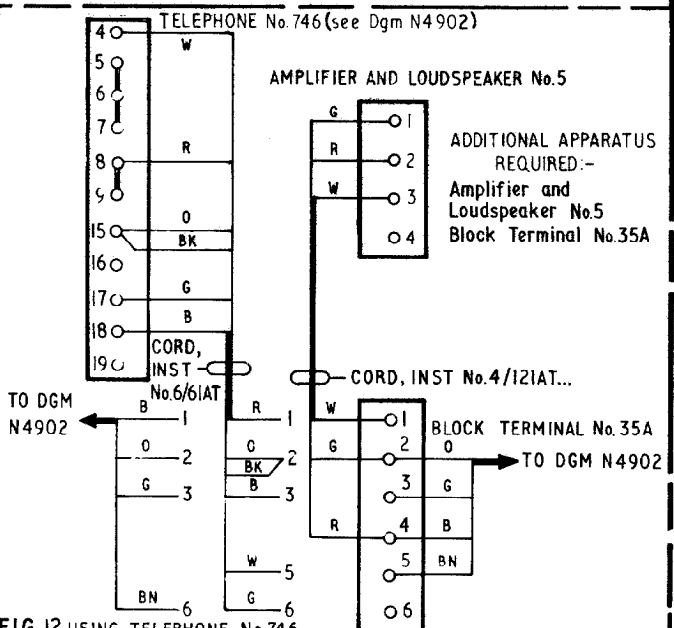


FIG. 12 USING TELEPHONE No. 746
 SHARED SERVICE (SEPARATE METERING)
 Connexions as shown
 EXCLUSIVE SERVICE—Green cable connexions to BT3 omitted. Cord, Inst. No. 4/121 AT. used in lieu, omitting orange and black connexions to BT2 and T15. T18-T19 and BT2-BT3 strapped.

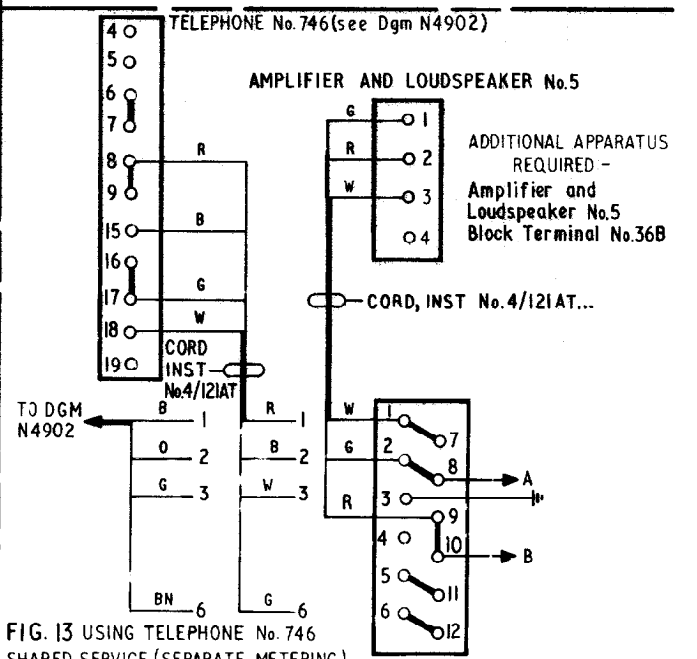


FIG. 13 USING TELEPHONE No. 746
 SHARED SERVICE (SEPARATE METERING)
 Connexions as shown
 EXCLUSIVE SERVICE
 Earth and green cable connexions to BT3 omitted. T4-T5, T18-T19 and BT2-BT3 strapped.

AMPLIFIER & LOUDSPEAKER No.5 CONNECTED TO PLAN 4
EXPLANATORY

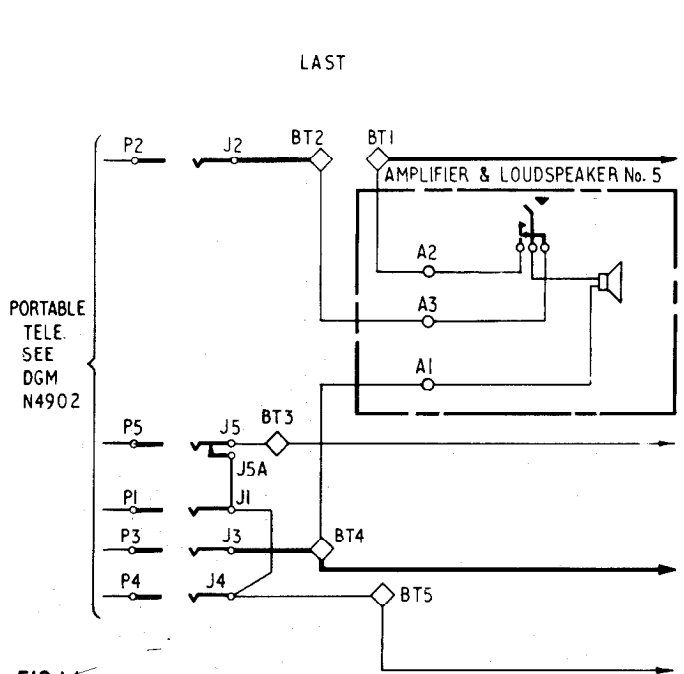


FIG. 14

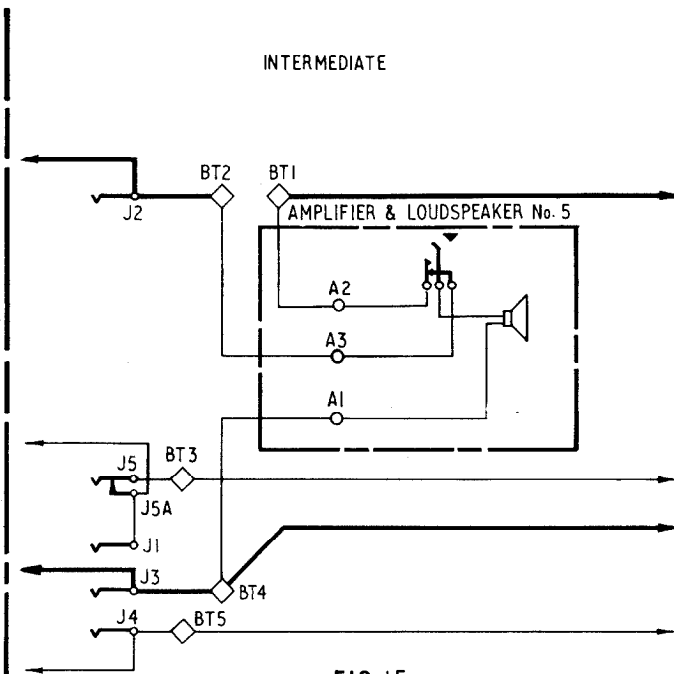


FIG. 15

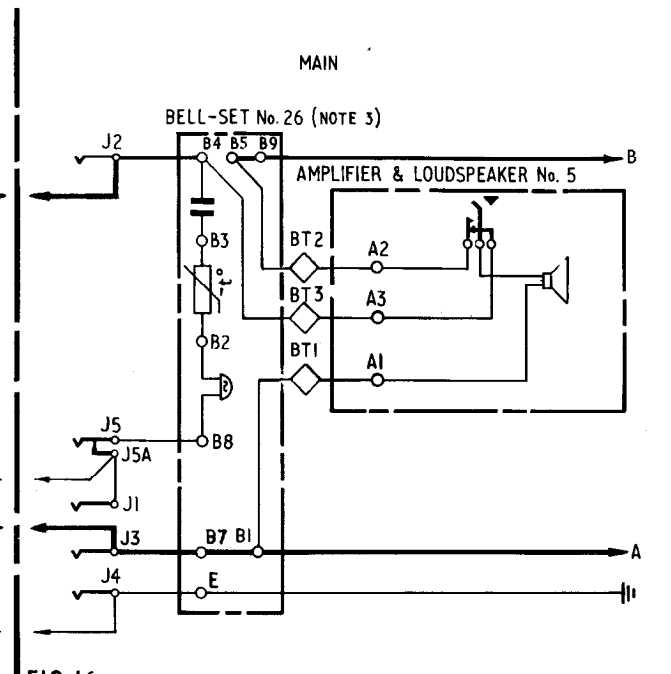


FIG. 16

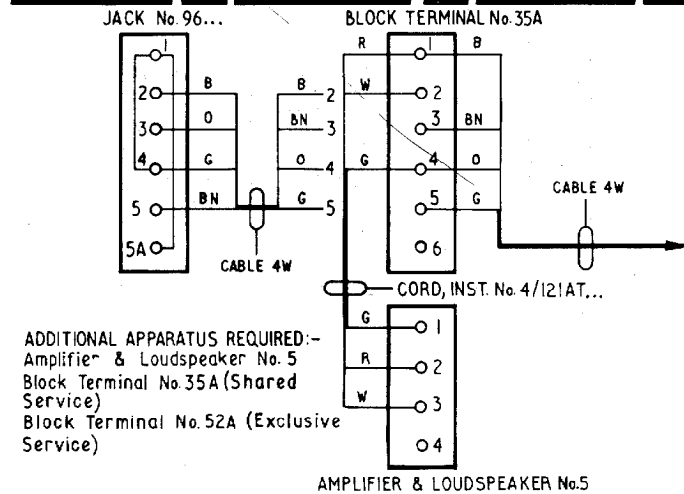


FIG. 17

SHARED SERVICE (SEPARATE METERING)
Connexions as shown
EXCLUSIVE SERVICE
Green cable connexions to BT5 omitted. J3 and J4 strapped.

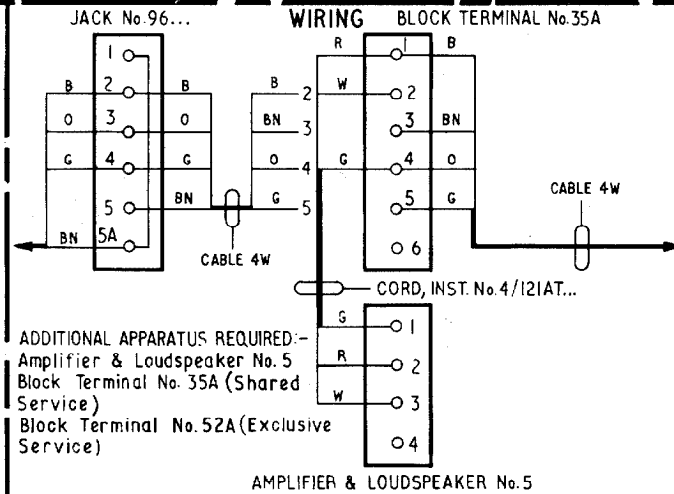


FIG. 18

SHARED SERVICE (SEPARATE METERING)
Connexions as shown
EXCLUSIVE SERVICE
Green cable connexions to BT5 omitted. J3 & J4 strapped.

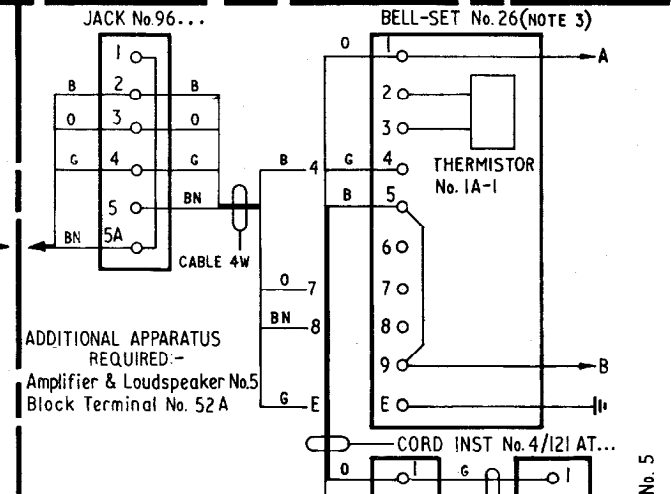


FIG. 19

SHARED SERVICE (SEPARATE METERING)
Connexions as shown
EXCLUSIVE SERVICE
Earth and green cable connexions to E and J4 omitted.
J3 and J4 strapped. Thermistor No. 1A-1 omitted. B2-B3 strapped.