

**SPECIAL RANGE TELEPHONES**  
AMPLIFIER & LOUDSPEAKER No.5 CONNECTED TO DIRECT EXCHANGE LINES AND EXTENSION PLAN ARRANGEMENTS 1A AND 4. EXCLUSIVE AND SHARED SERVICE (SEPARATE METERING) USING TELEPHONE SRI...A

NOTES :-

- 1 This diagram is to be used in conjunction with Diagram N4901.
- 2 See Diagram N4440 for details of Amplifier & Loudspeaker No.5.
- 3 The line current must be between 30-90 mA for successful operation of the Amplifier & Loudspeaker No.5 (T1 C3 M1060 refers). If required a suitable value Resistor Coil No.35A may be connected in place of the strap between Terminals BT9-10 in Block Terminal No.36B, or Terminals B5-B9 in Bell-Set No.26, depending upon which item is provided.

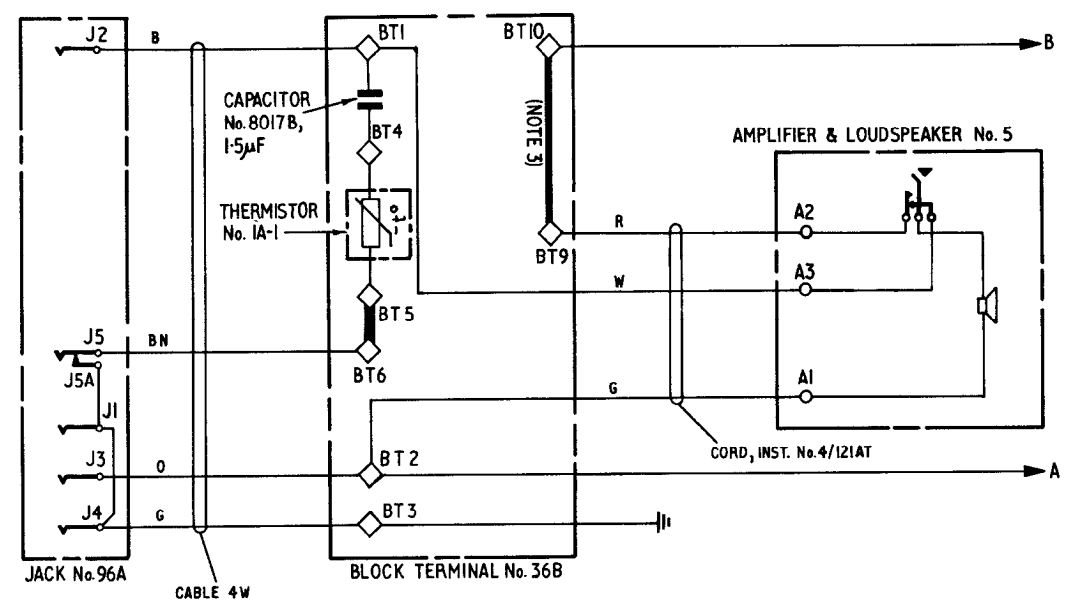


FIG. 1 AMPLIFIER & LOUDSEAKER No.5 CONNECTED TO A DIRECT EXCHANGE LINE

ADDITIONAL APPARATUS REQUIRED :-  
AMPLIFIER & LOUDSPEAKER No.5

SHARED SERVICE (SEPARATE METERING)

Connexions as shown.  
EXCLUSIVE SERVICE

Earth and green cable connexions to BT 3 and J4 omitted, J1-J3-J4 strapped.  
Thermistor No. 1A-1 omitted. Capacitor No.8017B connected between BT1 and BT5.

NOTE :-  
See Diagram N4901 for details of telephone.

PO TELECOMMS HQRS			
PAPER:- R	ISSUE		
DISTN :- NIL	A	VALUE OF CAPACITOR No.8017B SHOWN. <i>S.A.M.</i>	22-12-77
			TD 7-1-3 25-4-77

AMPLIFIER & LOUDSPEAKER No.5 CONNECTED TO PLAN IA  
EXPLANATORY

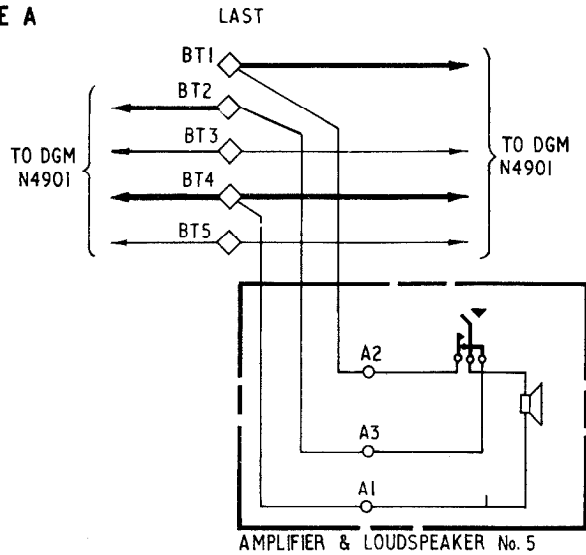


FIG. 2 USING TELEPHONE SR 1...A

SHARED SERVICE (SEPARATE METERING)  
Connections as shown.  
EXCLUSIVE SERVICE  
Connections to BT5 omitted.

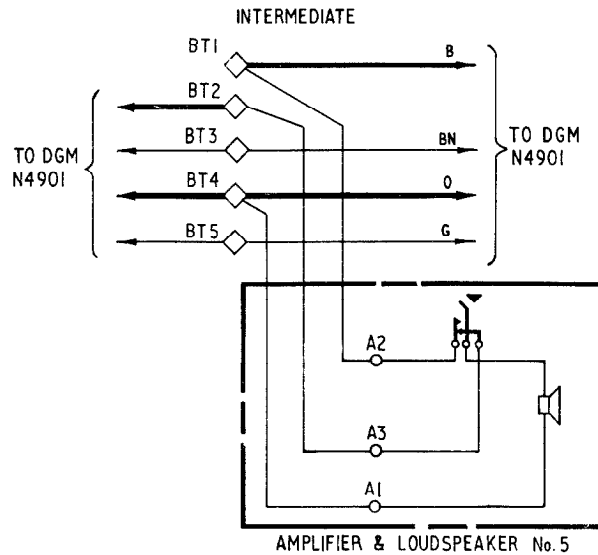


FIG. 3 USING TELEPHONE SR 1...A

SHARED SERVICE (SEPARATE METERING)  
Connections as shown.  
EXCLUSIVE SERVICE  
Connections to BT5 omitted.

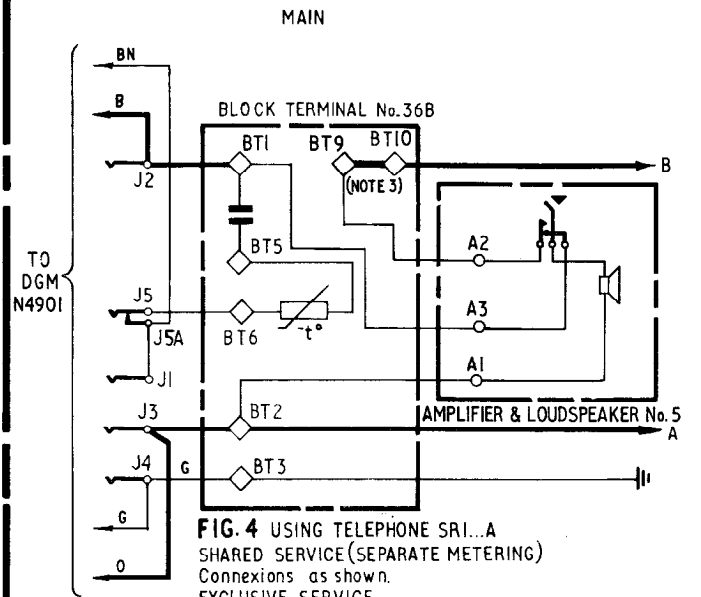


FIG. 4 USING TELEPHONE SR 1...A

SHARED SERVICE (SEPARATE METERING)  
Connections as shown.  
EXCLUSIVE SERVICE  
Earth and green cable connexions to BT3, J4 omitted.  
J3-J4 strapped.  
Thermistor No. 1A-1 omitted. BT5-BT6 strapped.

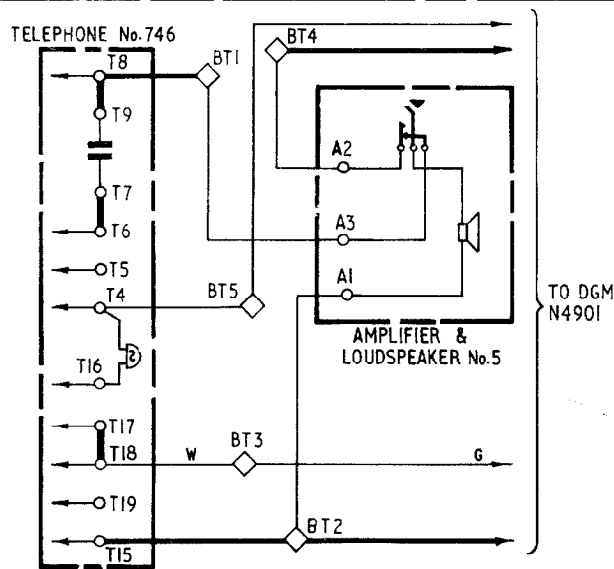


FIG. 5 USING TELEPHONE No. 746

SHARED SERVICE (SEPARATE METERING)  
Connections as shown.  
EXCLUSIVE SERVICE  
Green cable connexion to BT3 omitted.  
Strap T17-T18 omitted. T18-T19 and BT2-BT3 strapped. BT2 connected to T17.

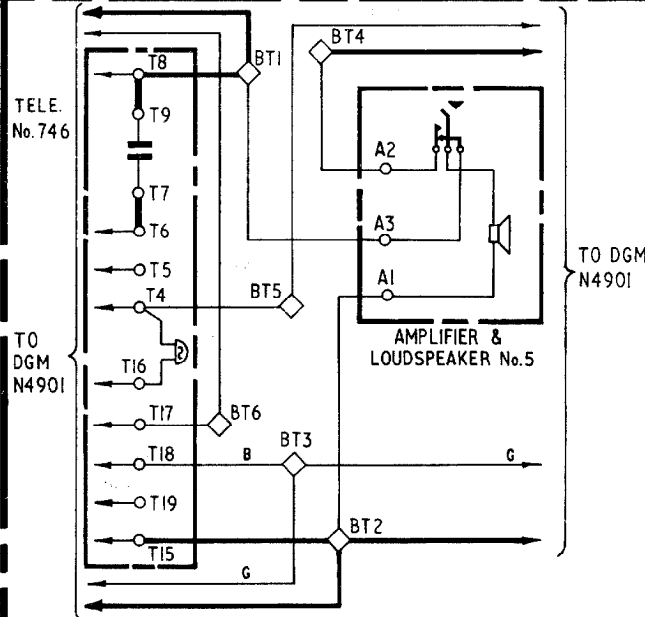


FIG. 6 USING TELEPHONE No. 746

SHARED SERVICE (SEPARATE METERING)  
Connections as shown.  
EXCLUSIVE SERVICE  
Green cable connexions to BT3 omitted.  
T18-T19 and BT2-BT3 strapped.

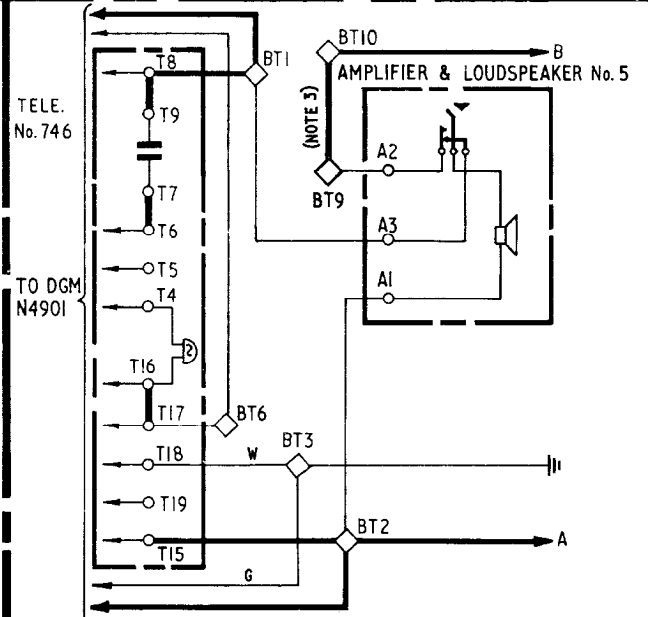
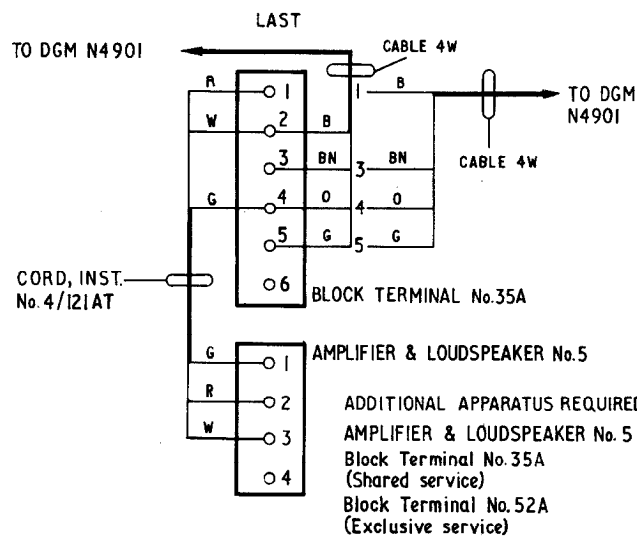
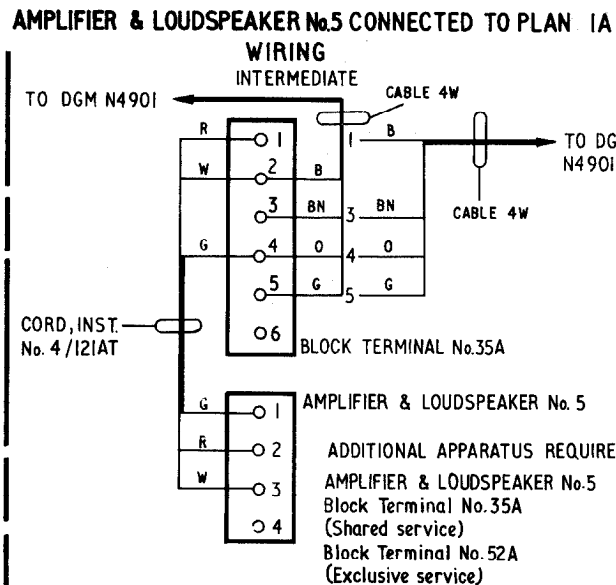


FIG. 7 USING TELEPHONE No. 746

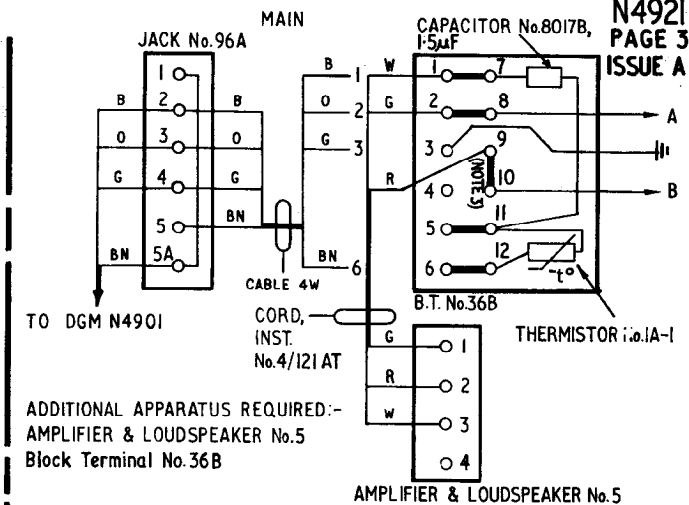
SHARED SERVICE (SEPARATE METERING)  
Connections as shown.  
EXCLUSIVE SERVICE  
Earth and green cable connexions to BT3 omitted.  
T4-T5, T18-T19 and BT2-BT3 strapped.



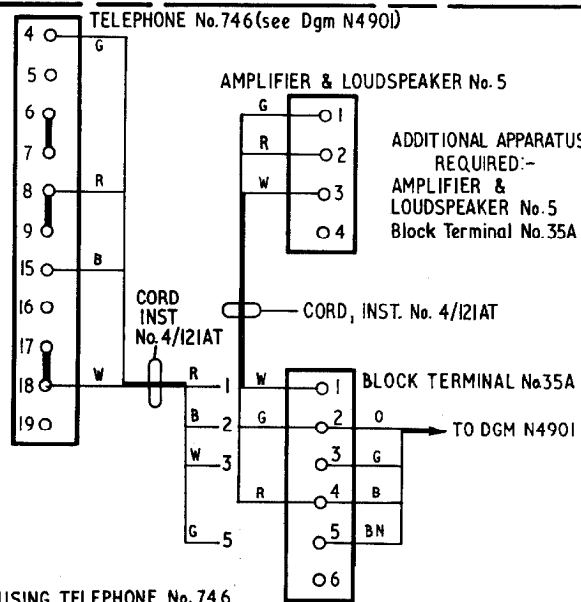
**FIG.8** USING TELEPHONE SRI...A  
SHARED SERVICE (SEPARATE METERING)  
Connexions as shown.  
EXCLUSIVE SERVICE  
Green cable connexions to BT5 omitted.



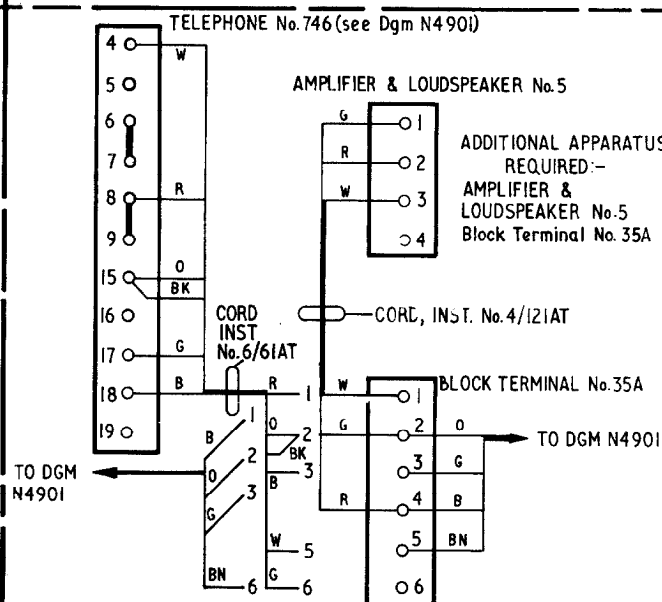
**FIG.9** USING TELEPHONE SRI...A  
SHARED SERVICE (SEPARATE METERING)  
Connexions as shown.  
EXCLUSIVE SERVICE  
Green cable connexions to BT5 omitted.



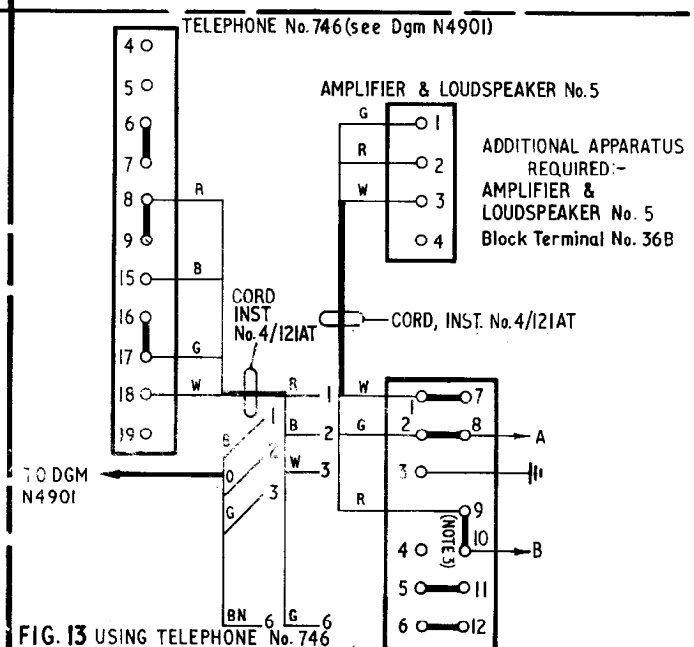
**FIG.10** USING TELEPHONE SRI...A  
SHARED SERVICE (SEPARATE METERING)  
Connexions as shown.  
EXCLUSIVE SERVICE  
Earth and green cable connexions to BT3, J4 omitted. J3-J4 strapped.  
Thermistor No. IA-1 omitted, BT5-BT6 strapped.



**FIG. 11** USING TELEPHONE No. 746  
SHARED SERVICE (SEPARATE METERING)  
Connexions as shown  
EXCLUSIVE SERVICE  
Green cable connexion to BT3 omitted. Strap T17-T18 omitted, T18-T19 and BT2-BT3 strapped. Shift blue cord conductor from T15 to T17.



**FIG.12** USING TELEPHONE No.746  
SHARED SERVICE (SEPARATE METERING)  
Connexions as shown  
EXCLUSIVE SERVICE  
Green cable connexions to BT3 omitted. Cord, Inst. No. 4/121AT used in lieu, omitting orange and black connexions to BT2 and T15. T18-T19 and BT2-BT3 strapped.



**FIG. 13** USING TELEPHONE No. 746  
SHARED SERVICE (SEPARATE METERING)  
Connexions as shown  
EXCLUSIVE SERVICE  
Earth and green cable connexions to BT3 omitted. T4-T5, T18-T19 and BT2-BT3 strapped.

AMPLIFIER & LOUDSPEAKER No.5 CONNECTED TO PLAN 4  
EXPLANATORY

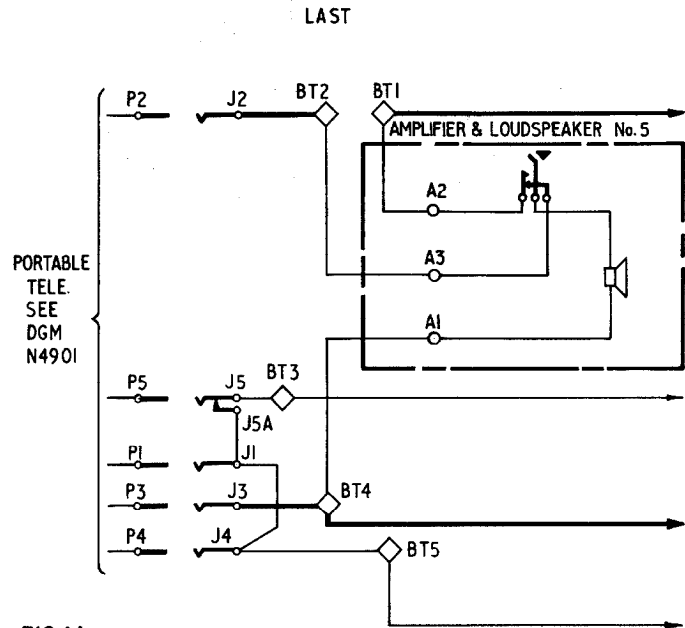


FIG. 14

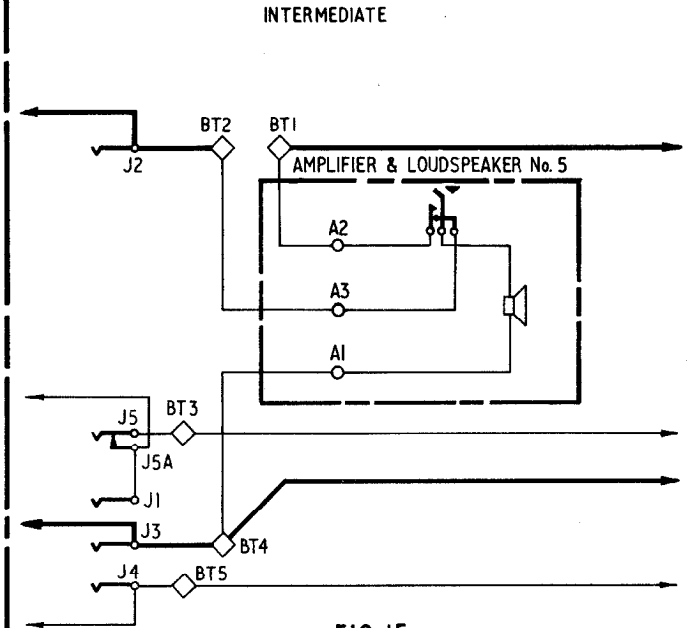


FIG. 15

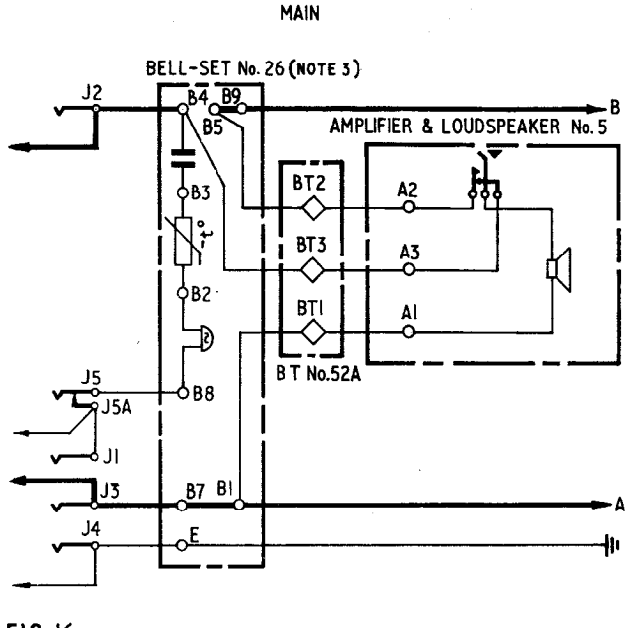


FIG. 16

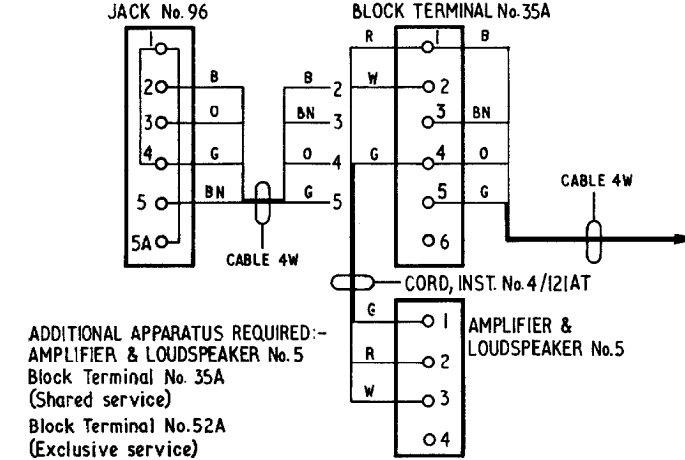


FIG. 17

SHARED SERVICE (SEPARATE METERING)  
Connections as shown  
EXCLUSIVE SERVICE  
Green cable connexions to BT5 and J4 omitted.  
J3 and J4 strapped.

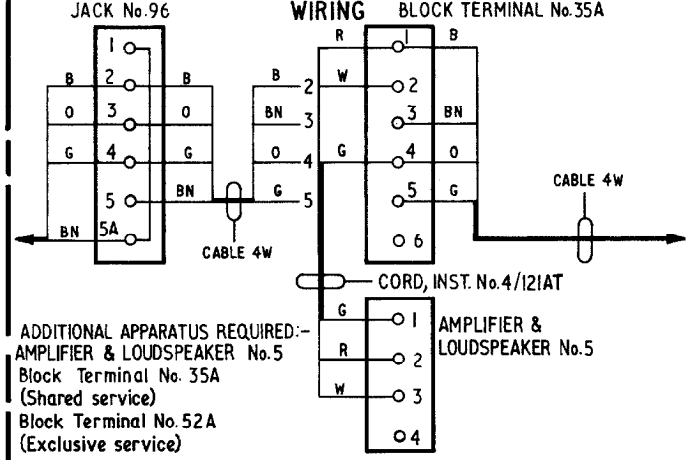


FIG. 18

SHARED SERVICE (SEPARATE METERING)  
Connections as shown  
EXCLUSIVE SERVICE  
Green cable connexions to BT5 and J4 omitted.  
J3 and J4 strapped.

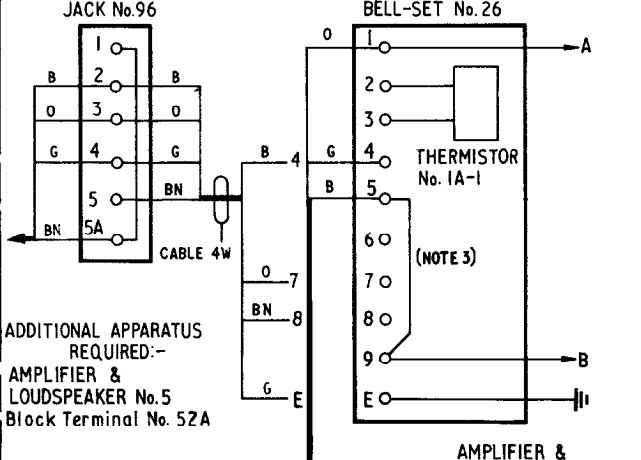


FIG. 19

SHARED SERVICE (SEPARATE METERING)  
Connections as shown  
EXCLUSIVE SERVICE  
Earth and green cable connexions to J4 and E omitted.  
J3 and J4 strapped. Thermistor No. 1A-1 omitted. B2-B3 strapped.