

SPECIAL RANGE TELEPHONES
 AUTODIAL No. 301A OR 302A CONNECTED TO DIRECT EXTENSION AND PLAN 1A
 ARRANGEMENTS FOR 2 WIRE PBX EXTENSIONS WITH RECALL USING
 TELEPHONE SRI...C

NOTES:-

1. This diagram is to be used in conjunction with Diagram N4903.
2. See Diagram N2312 for details of Autodials Nos. 301A and 302A.
3. The Autodial No. 301A is provided with a 5-way cord, the black conductor being omitted.
4. The orange, blue and (where provided) black cord conductors of the autodial should be insulated at the block terminal end.

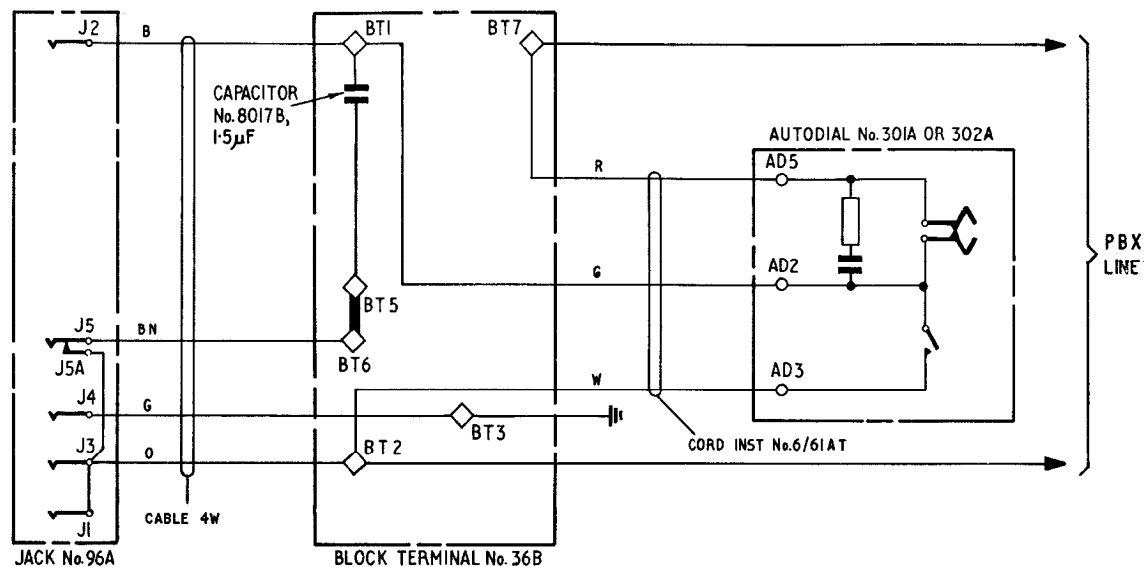


FIG. 1 AUTODIAL No. 301A OR 302A CONNECTED TO A DIRECT EXTENSION

ADDITIONAL APPARATUS REQUIRED:-

Autodial No. 301A or 302A.

NOTE:-

See Diagram N4903 for details of telephone.

PO TELECOMMS HQRS	ISSUE			
PAPER:- R				
DISTN :- NIL		A	VALUE OF CAPACITOR No. 8017B SHOWN. MINOR AMENDMENTS. <i>S.A.M.</i>	TD 7-1-3
		<i>PEAR</i>	TD 7-1-3	14.4.77

AUTODIAL No.301A OR 302A CONNECTED TO PLAN IA
EXPLANATORY

LAST

INTERMEDIATE

MAIN

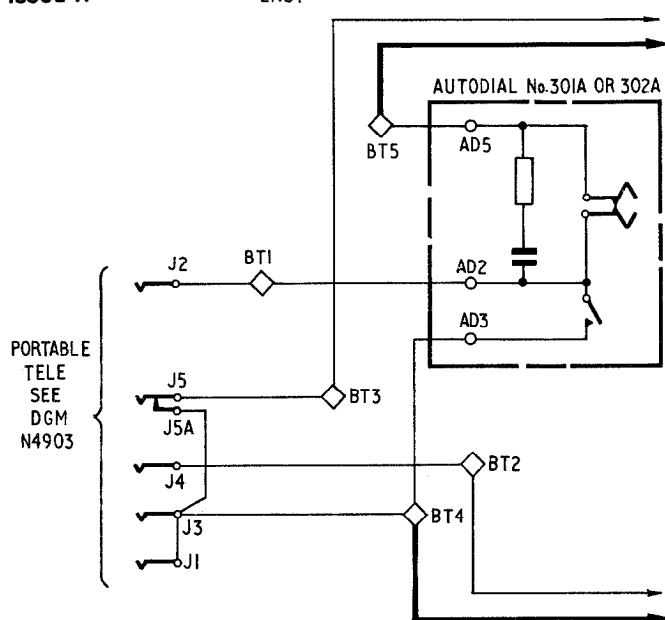


FIG. 2 USING TELEPHONE SRI...

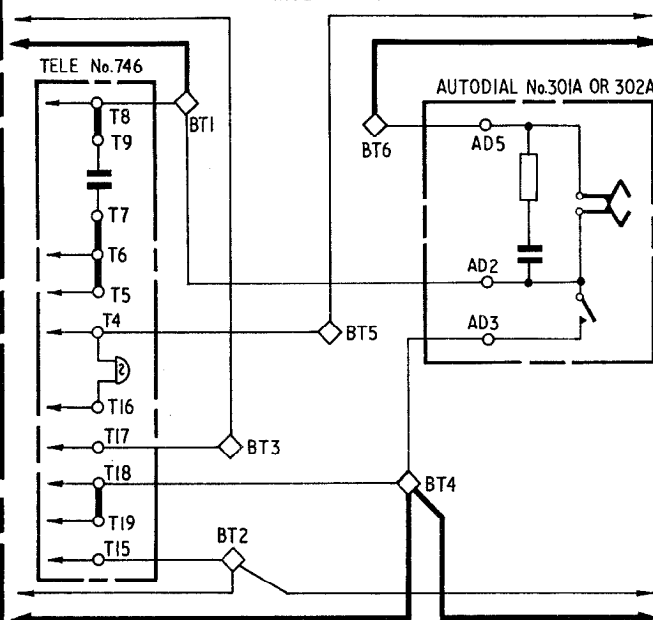


FIG. 3 USING TELEPHONE No. 746

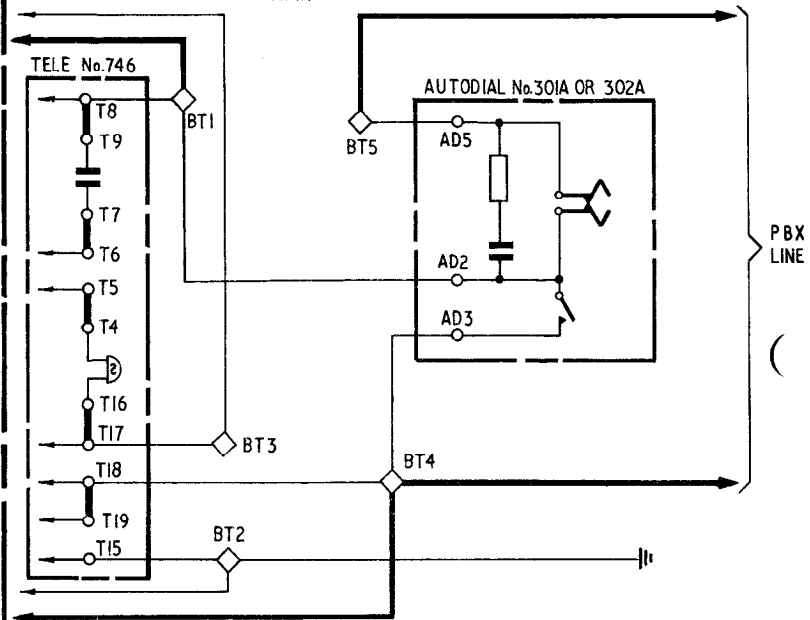
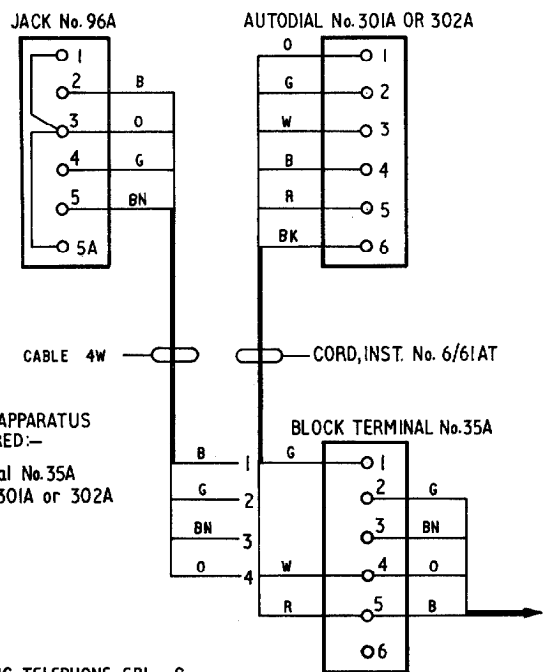


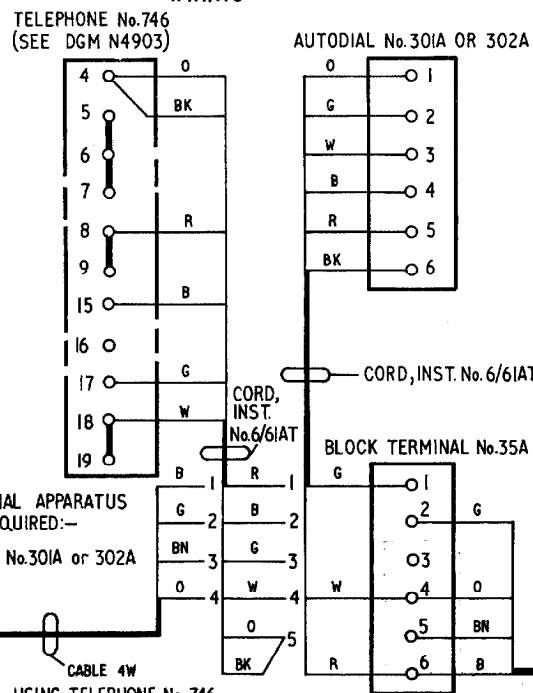
FIG. 4 USING TELEPHONE No. 746

WIRING



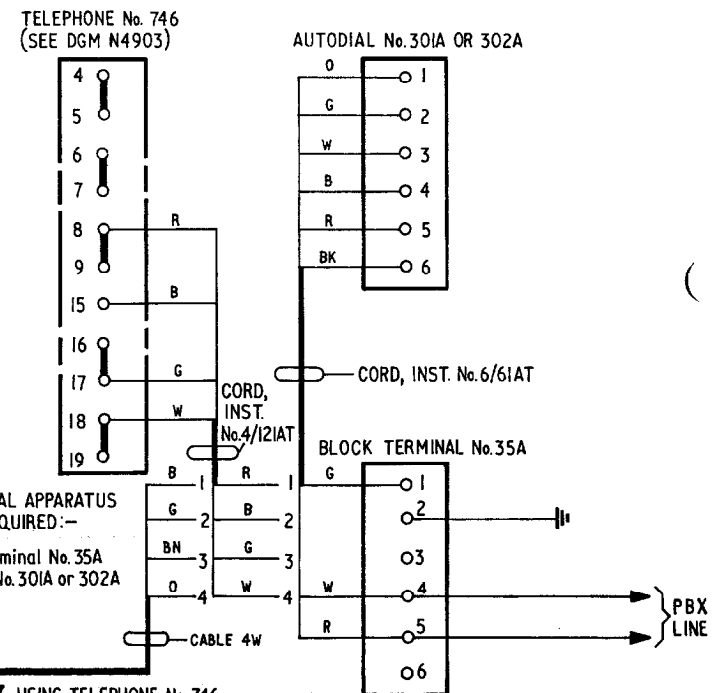
ADDITIONAL APPARATUS
REQUIRED:-
Block Terminal No. 35A
Autodial No. 301A or 302A

FIG. 5 USING TELEPHONE SRI...



ADDITIONAL APPARATUS
REQUIRED:-
Autodial No. 301A or 302A

FIG. 6 USING TELEPHONE No. 746



ADDITIONAL APPARATUS
REQUIRED:-
Block Terminal No. 35A
Autodial No. 301A or 302A

FIG. 7 USING TELEPHONE No. 746