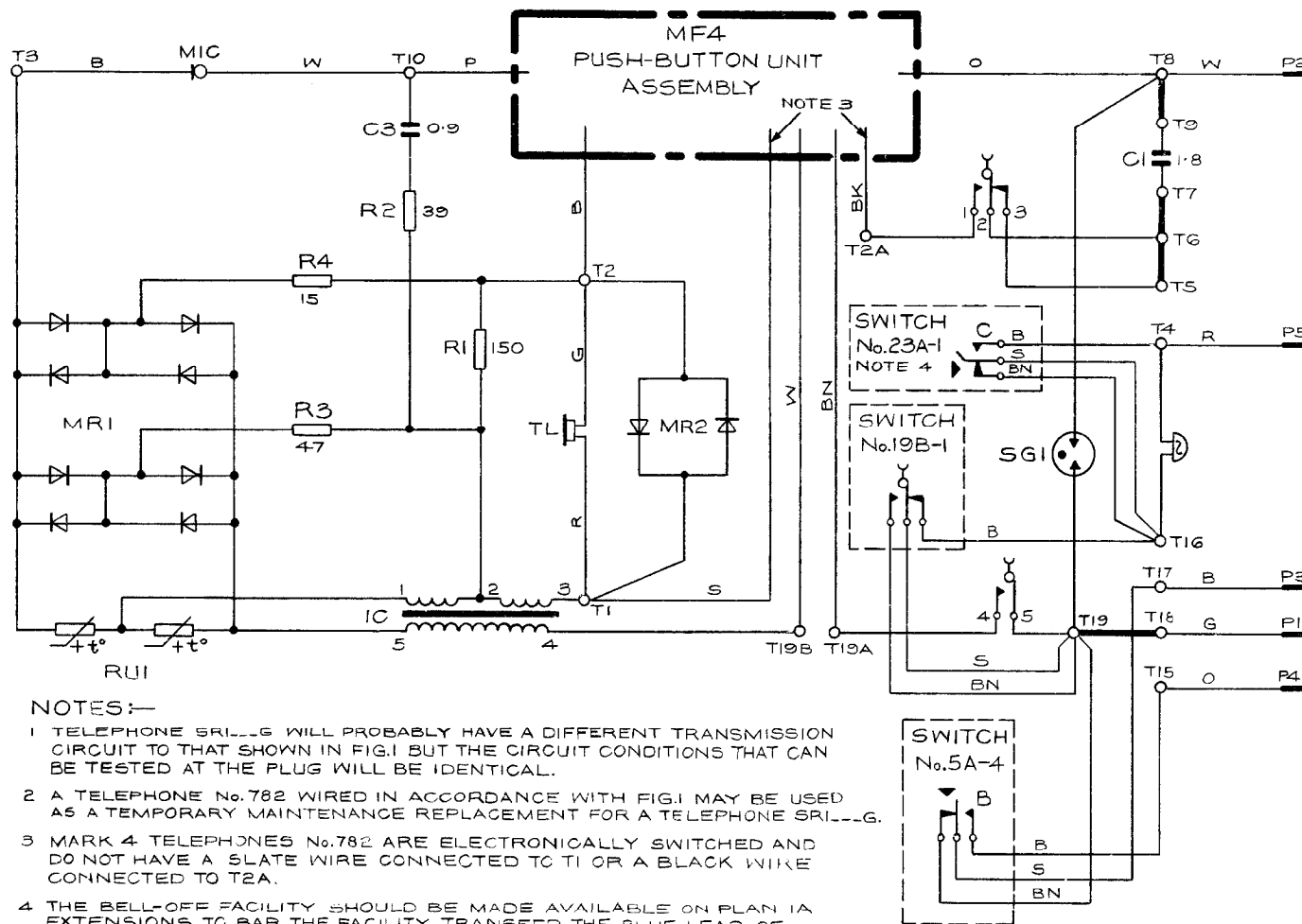


SPECIAL RANGE TELEPHONES
 TELEPHONES SRI...G DIRECT EXTENSIONS AND PLAN IA ARRANGEMENTS
 FOR 2-WIRE PBX EXTENSIONS WITH RECALL AND MF SIGNALLING



NOTES:—

- 1 TELEPHONE SRI...G WILL PROBABLY HAVE A DIFFERENT TRANSMISSION CIRCUIT TO THAT SHOWN IN FIG.1 BUT THE CIRCUIT CONDITIONS THAT CAN BE TESTED AT THE PLUG WILL BE IDENTICAL.
- 2 A TELEPHONE No. 782 WIRED IN ACCORDANCE WITH FIG.1 MAY BE USED AS A TEMPORARY MAINTENANCE REPLACEMENT FOR A TELEPHONE SRI...G.
- 3 MARK 4 TELEPHONES No. 782 ARE ELECTRONICALLY SWITCHED AND DO NOT HAVE A SLATE WIRE CONNECTED TO T1 OR A BLACK WIRE CONNECTED TO T2A.
- 4 THE BELL-OFF FACILITY SHOULD BE MADE AVAILABLE ON PLAN IA EXTENSIONS. TO BAR THE FACILITY TRANSFER THE BLUE LEAD OF SWITCH No. 23A-1 FROM T4 TO T11.
- 5 ALL TELEPHONES SRI...G MUST BE MADE CAPTIVE IN THE JACK BY A PART 1/DCO/764.
- 6 APPARATUS REQUIRED FOR FIG.1:—

1 TELEPHONE No. 782	2 PARTS 1/DPI/203	1 SWITCH No. 5A-4
1 PART 2/DEU/363	1 PART 1/DPL/1022	1 SWITCH No. 23A-1
1 PART 1/DBU/363	1 SWITCH No. 19B-1	1 PLUG No. 505 WITH CORD INST No. 5/33AD

FIG.1 TELEPHONE No. 782 WIRED TO PROVIDE THE SAME CIRCUIT CONDITIONS AS A TELEPHONE SRI...G (NOTE 1)

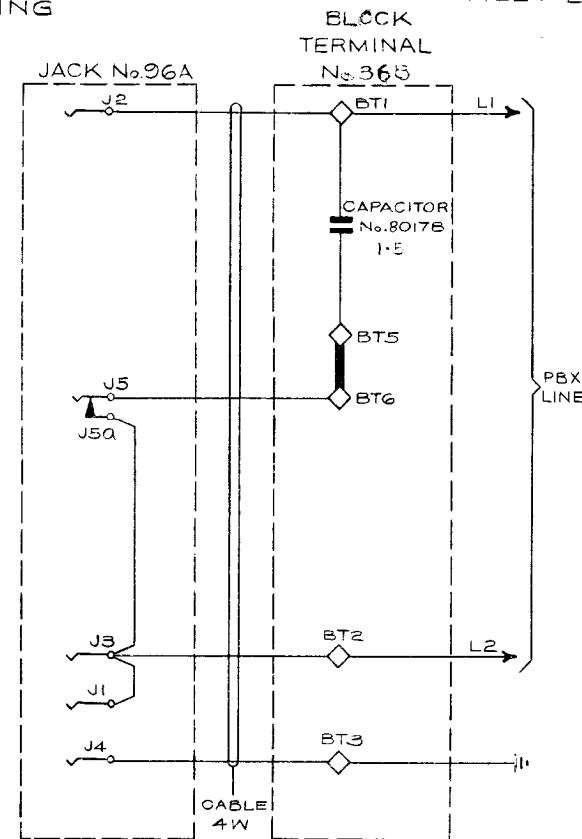


FIG.2 DIRECT EXTENSION

NOTES:—

- (a) APPARATUS REQUIRED:—
- 1 TELEPHONE SRI...G
 - 1 JACK No. 96A
 - 1 CAPACITOR No. 8017B 1.5 μ F
 - 1 BLOCK TERMINAL No. 363
 - 1 PART 1/DCO/764
- (b) WHEN AN EXTENSION BELL IS REQUIRED, REMOVE STRAP BETWEEN BT5-BT6 AND CONNECT BELL.
- (c) IF MORE CONVENIENT THE LINE MAY BE TERMINATED ON THE JACK No. 96A

PO TELECOMMS HQRS							
PAPER:— W	ISSUE						
DISTRIBUTION:— GENERAL						ME/PD 1.1.3	26.9.80

EXTENSION PLAN 1A USING TELEPHONES No.782 AT MAIN AND INTERMEDIATE AND A TELEPHONE SRI...G AT THE LAST STATION

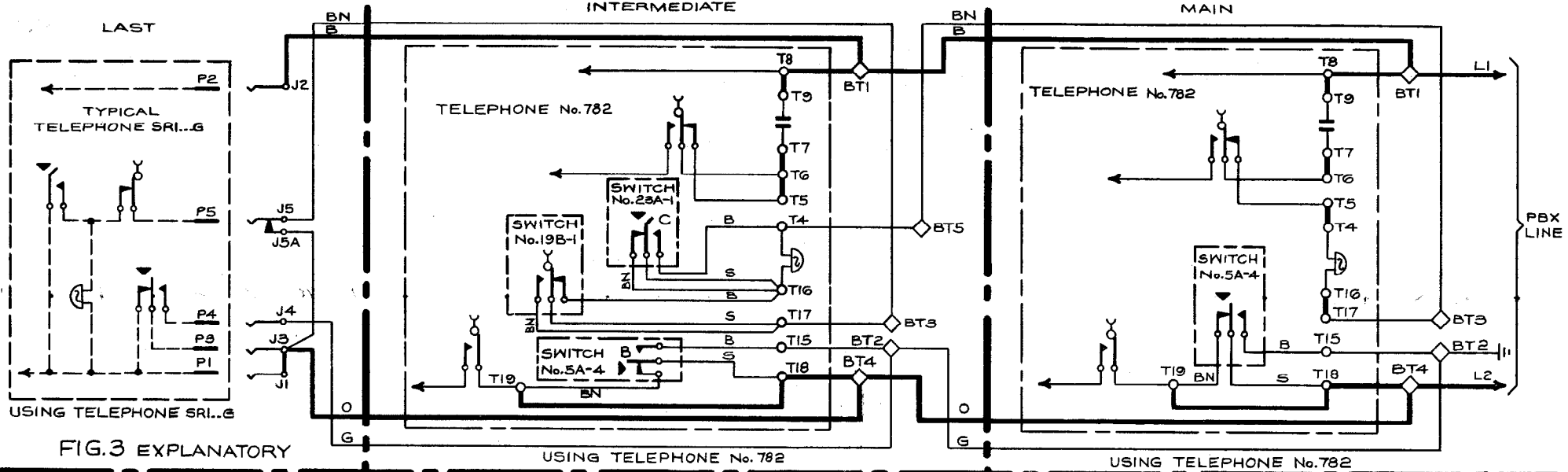
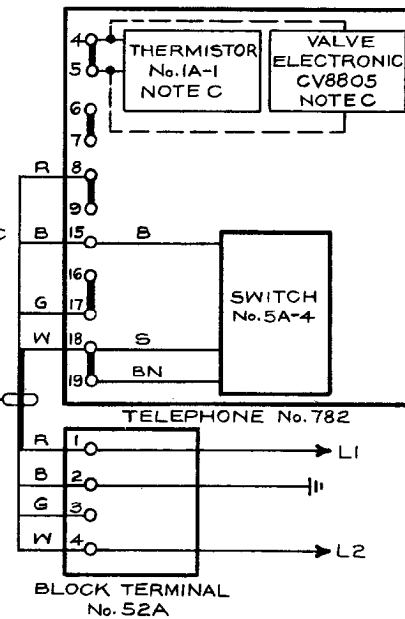
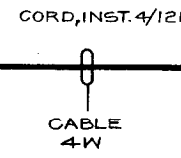
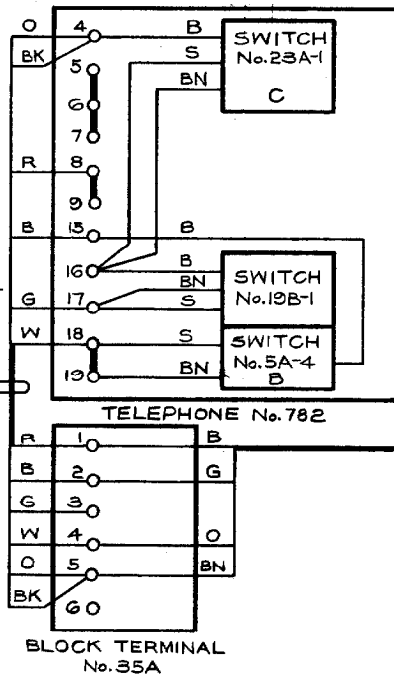
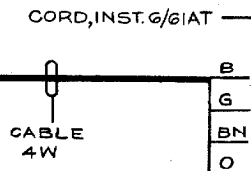
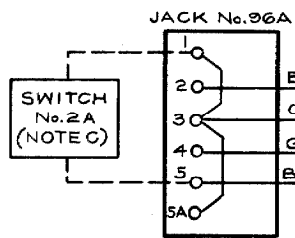


FIG.4 WIRING

- APPARATUS REQUIRED:-
- 1 TELEPHONE SRI...G
 - 1 JACK No.96A
 - 1 PART 1/DCO/764
 - 1 SWITCH No.2A (NOTE C)

- APPARATUS REQUIRED:-
NOTE C
- 1 TELEPHONE No.782
 - 1 SWITCH No.23A-1
 - 1 SWITCH No.5A-4
 - 1 SWITCH No.19B-1
 - 1 PART 1/DBU/363
 - 1 PART 2/DBU/363
 - 2 PARTS 1/DPI/203
 - 1 PART 1/DPL/1022
 - 1 BLOCK TERMINAL No.35A
 - 1 CORD INSTRUMENT No.6/61AT

- APPARATUS REQUIRED:-
- 1 TELEPHONE No.782
 - 1 SWITCH No.5A-4
 - 1 PART 1/DBU/362
 - 2 PARTS 1/DPI/203
 - 1 PART 1/DPL/1022
 - 1 THERMISTOR No.1A-1
 - 1 VALVE, ELECTRONIC CV8805
- NOTE C



NOTES:-

- A TELEPHONE SRI...G MAY ONLY BE PROVIDED AS THE LAST STATION.
- B FIT SWITCH No.5A-4 AND PART 1/DBU/363 IN POSITION B.
FIT SWITCH No.23A-1 AND PART 2/DBU/363 IN POSITION C.

C SOME TELEPHONES SRI...G DO NOT INCORPORATE A SUITABLE SWITCH FOR THE BELL-OFF FACILITY. WHEN SUCH A TELEPHONE IS THE LAST STATION ON A PLAN 1A, AND THE BELL-OFF FACILITY IS REQUIRED A SWITCH No.2A CAN BE CONNECTED ACROSS TERMINALS J1 AND J5. ADDITIONALLY, AT THE MAIN STATION, A THERMISTOR No.1A-1 MUST BE FITTED INSTEAD OF THE STRAP BETWEEN TERMINALS T4 AND T5. ON PBX'S WITH VIBRATOR RINGING, ALSO FIT VALVE, ELECTRONIC CV8805 ACROSS T4 AND T5.