

SPECIAL RANGE TELEPHONES  
TELEPHONES SRI...D DIRECT EXTENSION AND PLAN IA ARRANGEMENTS FOR 2 WIRE PBX EXTENSIONS WITH RECALL (NOTE 5)

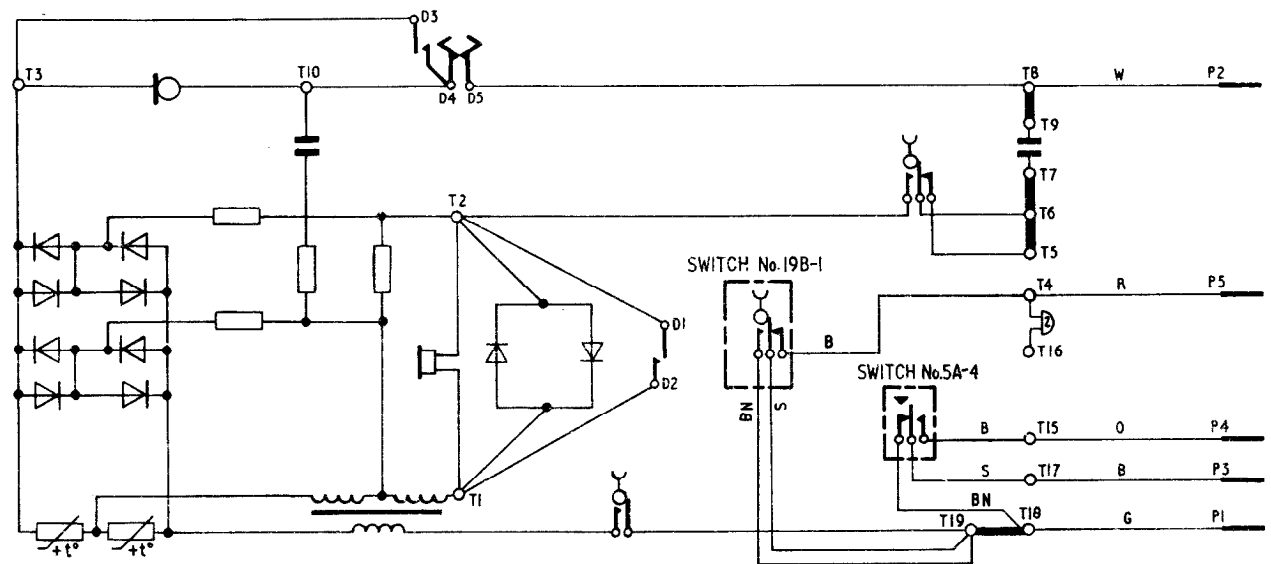


FIG.1 TELEPHONE No.746 WIRED TO PROVIDE THE SAME CIRCUIT CONDITIONS AS A TELEPHONE SRI...D (NOTE 1)

NOTES:-

- 1 Telephone SRI...D will probably have a different transmission circuit to that shown in Fig.1 but the circuit conditions that can be tested at the plug will be identical
- 2 A Telephone No.746 wired in accordance with Fig.1 may be used as a temporary maintenance replacement for a Telephone SRI...D
- 3 Apparatus Required for Fig.1
 

1 Telephone No.746	1 Switch No. 19B-1
1 Part 2/DBU/362	1 Switch No. 5A-4
1 Part 1/DPI/1022	1 Plug No.505 with
2 Parts 1/DPI/203	Cord Inst. No.5/39AD....
- 4 All Telephones SRI...D must be made captive in the jack by a Part 1/DC0/764
- 5 PBX extensions with C wire signalling can not be directly connected to installations with Telephones SRI...D. The extension should be connected to the PBX as an external extension using the appropriate U A A

REFERENCES

Telecommunications instruction	C3 B1060
Telephone No.746	Dgm N846
General notes and index of Special Range Telephone Diagrams.	Dgm N4900

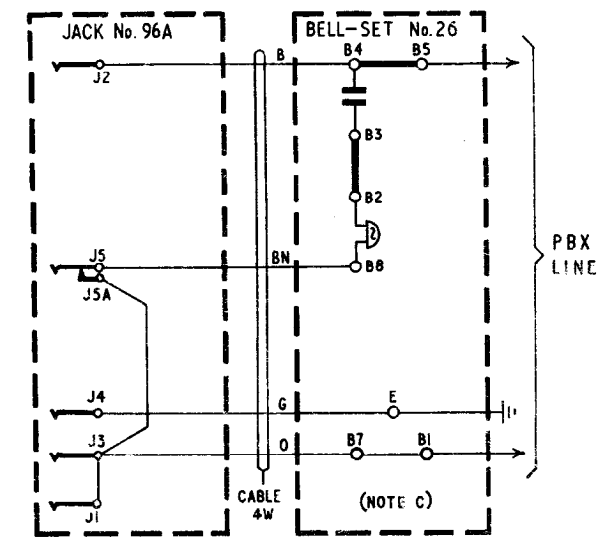


FIG.2 DIRECT EXTENSION

NOTES:-

- A Apparatus Required:-
- 1 Telephone SRI...D
  - 1 Jack No.96A
  - 1 Part 1/DC0/764
  - 1 Bell-Set No.26
- B If more convenient the line may be terminated on the Jack No.96 A
- C When an extension bell is required remove strap between B2-B3 and connect bell.

P.O TELECOMMS HQRS	ISSUE			
		A MINOR AMENDMENTS. S.A.H.	TD 7-1-3	17-6-77
PAPER:- W				
DISTN:- GENERAL			TD 2-3-1	2-7-73

EXTENSION PLAN 1A USING TELEPHONES No.746 AT MAIN AND INTERMEDIATE AND A TELEPHONE SRI...D AT THE LAST STATION

FIG. 3  
EXPLANATORY

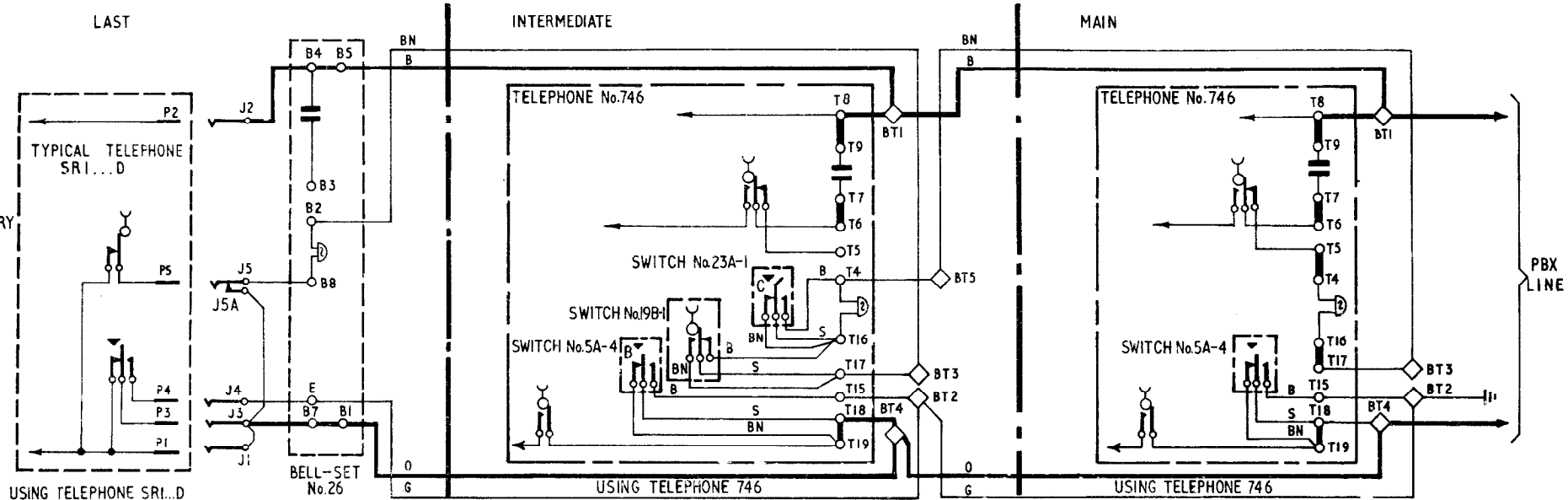
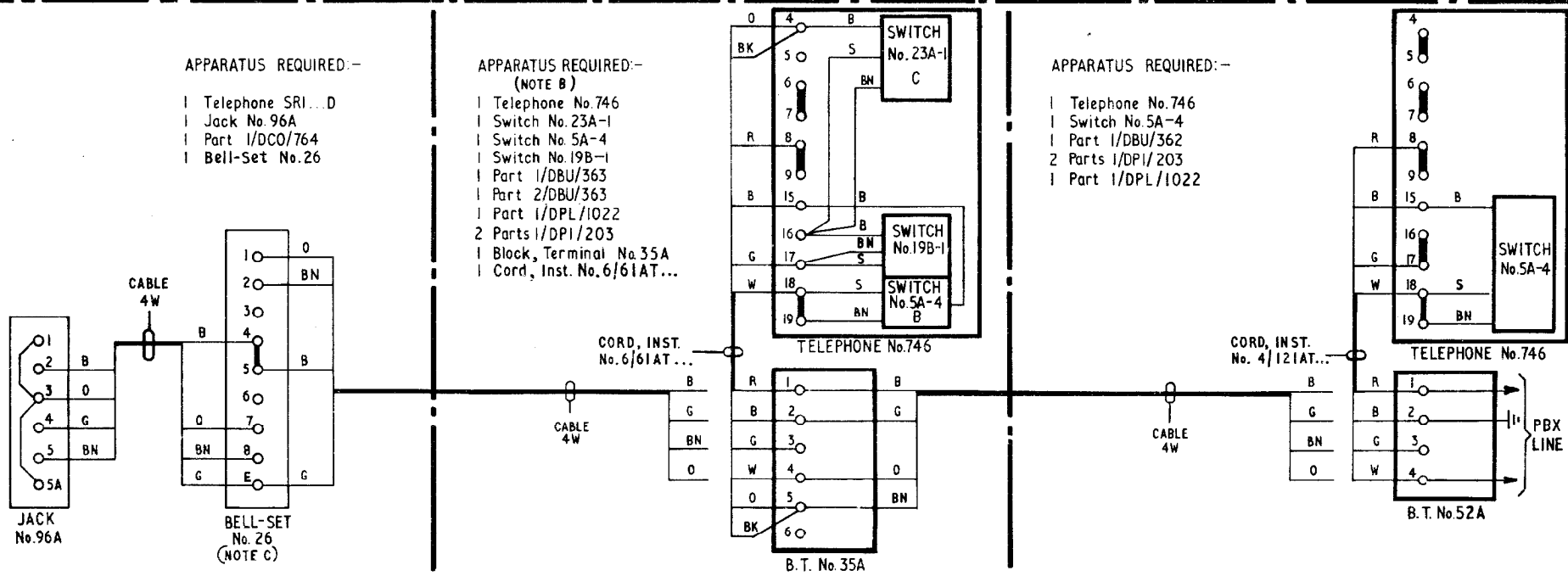


FIG. 4  
WIRING



APPARATUS REQUIRED:-

- 1 Telephone SRI...D
- 1 Jack No. 96A
- 1 Part 1/DCO/764
- 1 Bell-Set No. 26

APPARATUS REQUIRED:-

- (NOTE B)
- 1 Telephone No. 746
  - 1 Switch No. 23A-1
  - 1 Switch No. 5A-4
  - 1 Switch No. 19B-1
  - 1 Part 1/DBU/363
  - 1 Part 2/DBU/363
  - 1 Part 1/DPL/1022
  - 2 Parts 1/DPI/203
  - 1 Block, Terminal No. 35A
  - 1 Cord, Inst. No. 6/61AT...

APPARATUS REQUIRED:-

- 1 Telephone No. 746
- 1 Switch No. 5A-4
- 2 Parts 1/DPI/203
- 1 Part 1/DPL/1022

NOTES:-

A Telephone SRI...D may only be provided as the last station

B Fit Switch No. 5A-4 and Part 1/DBU/363 in position B, fit Switch No. 23A-1 and Part 2/DBU/363 in position C.

C Where Bell-Set No. 26 is not required, connect cable from intermediate or main to Jack No. 96A as follows:-blue to J2, orange to J3, green to J4, brown to J5, strap jack as shown.