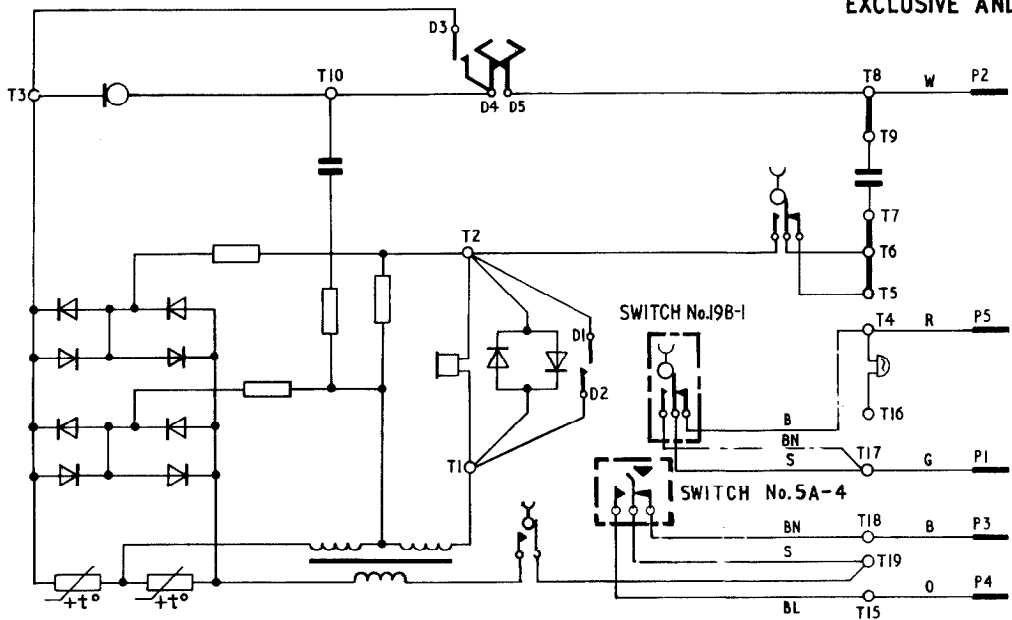


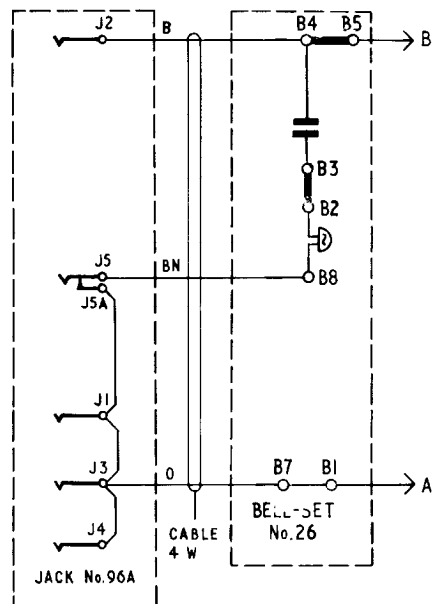
**SPECIAL RANGE TELEPHONES**  
**TELEPHONES SRI...B DIRECT EXCHANGE LINES AND EXTENSION PLAN ARRANGEMENTS 1A AND 4**  
**EXCLUSIVE AND SHARED SERVICE**



**FIG.1** TELEPHONE No.746 WIRED TO PROVIDE THE SAME CIRCUIT CONDITIONS AS A TELEPHONE SRI...B (NOTE1)

**NOTES:—**

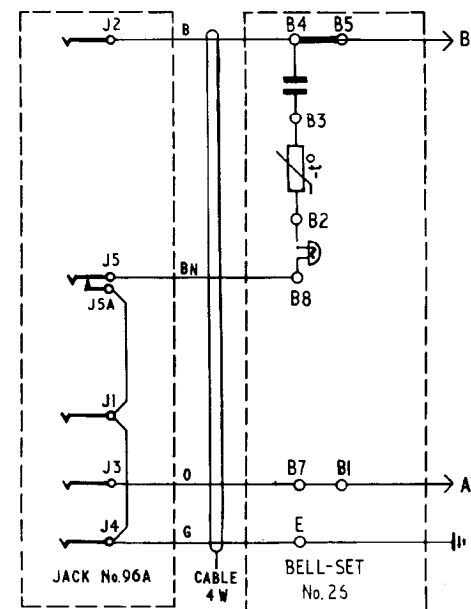
- 1 Telephones SRI...B will probably have a different transmission circuit to that shown in Fig.1 but the circuit conditions that can be tested at the plug will be identical
- 2 A Telephone No.746 wired in accordance with Fig.1 may be used as a temporary maintenance replacement for Telephones SRI...B
- 3 Apparatus required for Fig.1
  - 1 Telephone No.746
  - 1 Switch No. 19B-1
  - 1 Switch No. 5A-4
  - 1 Part 1/DBU/362
  - 1 Part 1/DPL/1022
  - 2 Parts 1/DPI/203
  - 1 Plug No. 505 with Cord No.5/39AD...
- 4 All Telephones SRI...B, except Plan 4 portable telephones, must be made captive in the jack by a Part 1/DCO/764 (Cover locking)
- 5 Shared service diagrams give line connexions for X parties.  
 For Y parties reverse the A and B wires



**FIG.2** DIRECT EXCHANGE LINE EXCLUSIVE SERVICE

**NOTES:—**

- A Apparatus required**
- 1 Telephone SRI...B
  - 1 Jack No.96A
  - 1 Bell-Set No.26
  - 1 Part 1/DCO/764
- B** When an extension bell is required remove strap between B2-B3 and connect bell.
- C** If more convenient the line may be terminated on a jack



**FIG.3** DIRECT EXCHANGE LINE SHARED SERVICE

**NOTES:—**

- A Apparatus required**
- 1 Telephone SRI...B
  - 1 Jack No.96A
  - 1 Bell-Set No.26
  - 1 Part 1/DCO/764
  - 1 Thermistor No. 1A-1
- B** When an extension bell is required remove strap between J1-J5A and connect bell.
- C** If more convenient the line and earth may be terminated on the jack

**REFERENCES**

Telecommunications Instruction . . . . . C3 BI060  
 Telephone No.746 . . . . . Dgm N846  
 General notes and index of special range telephone diagrams . . . . . Dgm N4900

PO TELECOMMS HQRS  PAPER:— W DISTN:— GENERAL	ISSUE			
	A	MINOR AMENDMENTS S.A.H.	TD 7-1-3	17.6.77
			TD 2-3-1	19.6.75

EXTENSION PLAN IA USING TELEPHONES SRI...B OR A COMBINATION OF TELEPHONES SRI...B  
AND TELEPHONES No. 746  
EXPLANATORY  
INTERMEDIATE

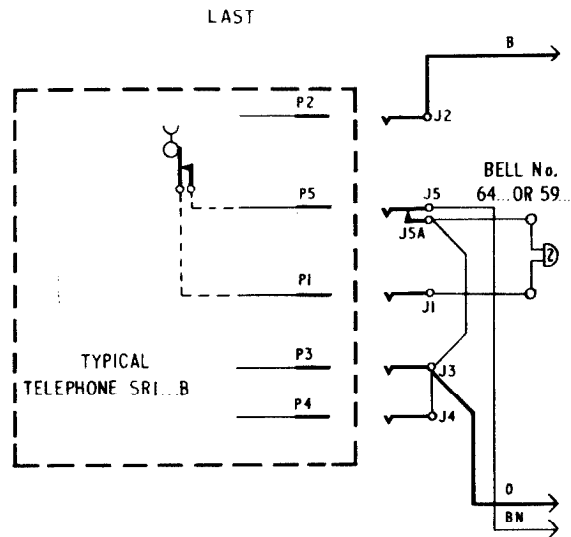


FIG. 4 USING TELEPHONE SRI...B

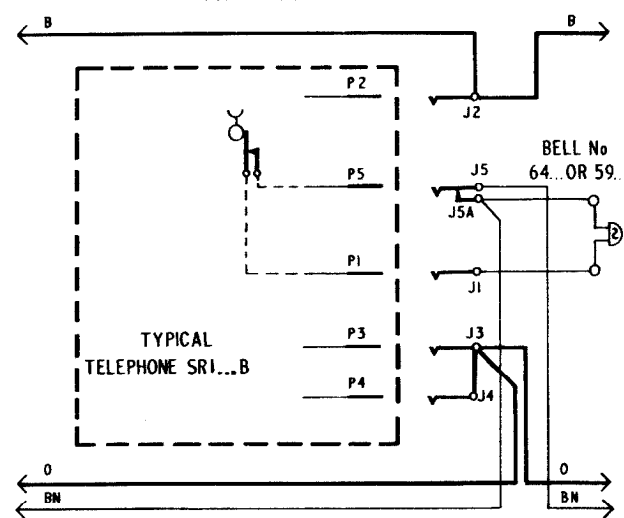


FIG. 5 USING TELEPHONE SRI...B

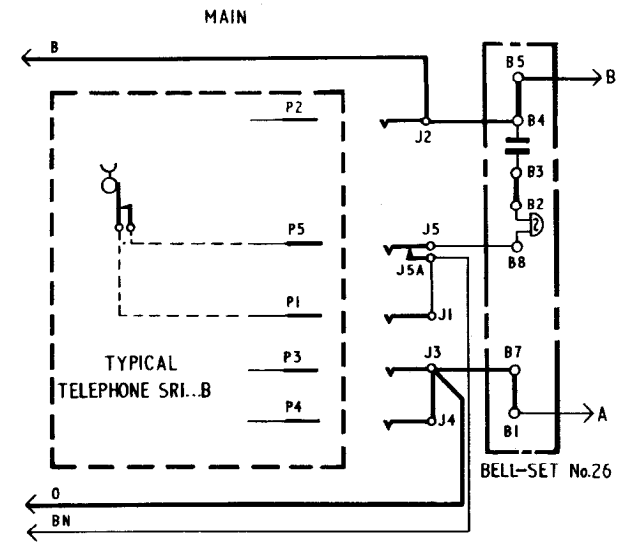


FIG. 6 USING TELEPHONE SRI...B

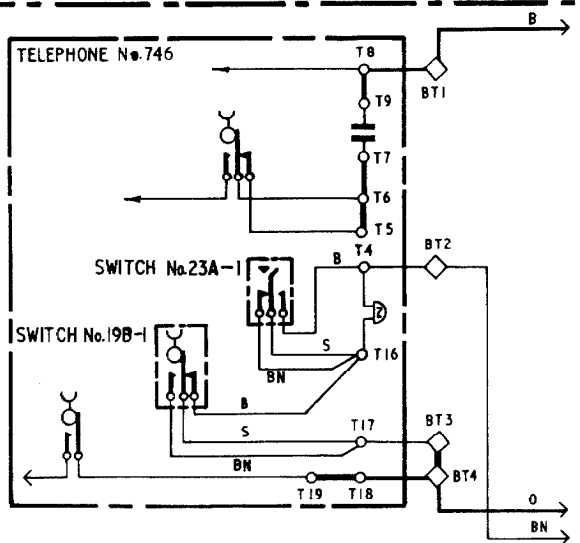


FIG. 7 USING TELEPHONE No. 746

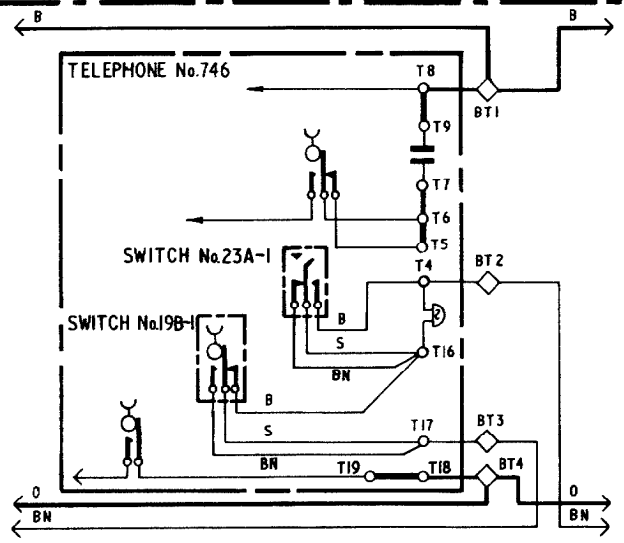


FIG. 8 USING TELEPHONE No. 746

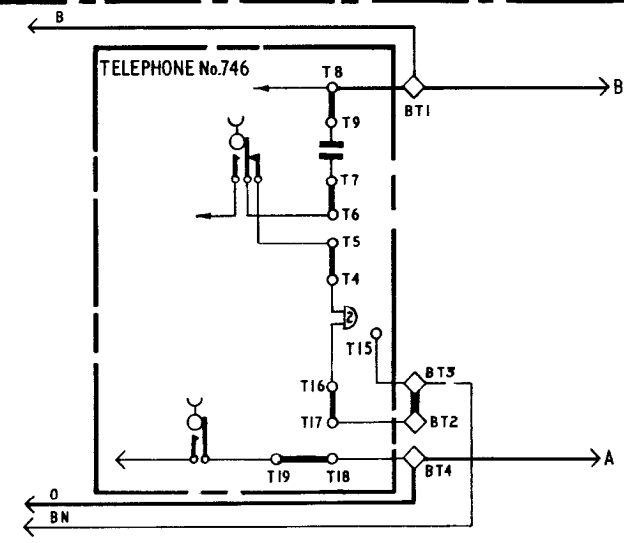


FIG. 9 USING TELEPHONE No. 746

NOTE:-

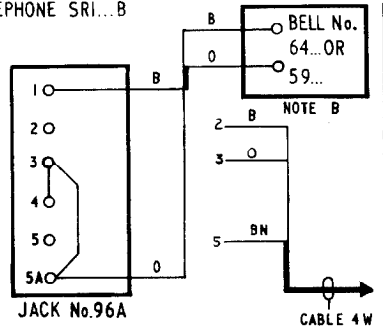
A Installations that do not include Telephones No. 746 will use Figs. 4 and 6 and 5 if required. Only installations that include Telephones No. 746 will have those stations connected as Figs. 7, 8 or 9, e.g. an installation having a Telephone No. 746 main and intermediate with a Telephone SRI...B last station will use Figs. 4, 8 and 9.

EXTENSION PLAN IA USING TELEPHONES SRI...B OR COMBINATION OF TELEPHONES SRI...B AND TELEPHONES No.746

WIRING DIAGRAMS

FIG.10 LAST USING TELEPHONE SRI...B

APPARATUS REQUIRED:-  
1 Telephone SRI...B  
1 Jack No.96A  
1 Part 1/DCO/764  
1 Bell No.64 } as  
or 1 Bell No.59 } reqd



APPARATUS REQUIRED:-  
1 Telephone SRI...B  
1 Jack No.96A  
1 Part 1/DCO/764  
1 Bell No.64 } as  
or 1 Bell No.59 } reqd

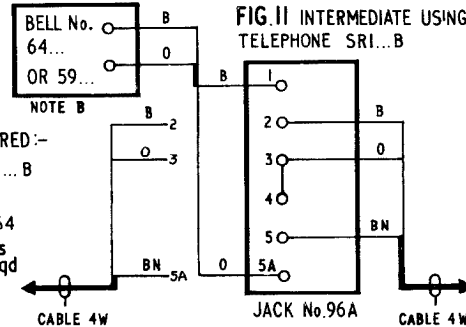
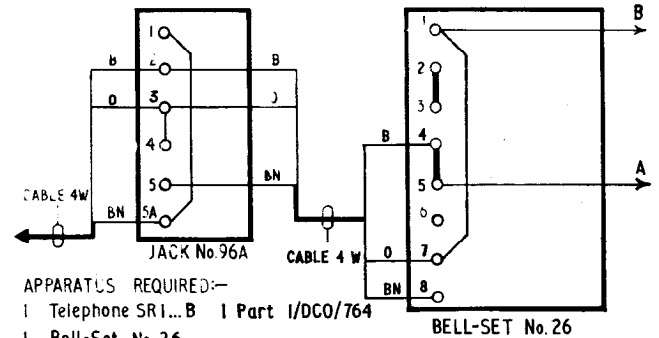


FIG.12 MAIN USING TELEPHONE SRI...B



APPARATUS REQUIRED:-  
1 Telephone SRI...B  
1 Part 1/DCO/764  
1 Bell-Set No.26  
1 Jack No.96A

FIG.13 LAST USING TELEPHONE No.746

APPARATUS REQUIRED:-  
1 Telephone No.746  
1 Switch No.23A-1  
1 Switch No.19B-1  
1 Part 2/DBU/362  
2 Parts 1/DPI/203

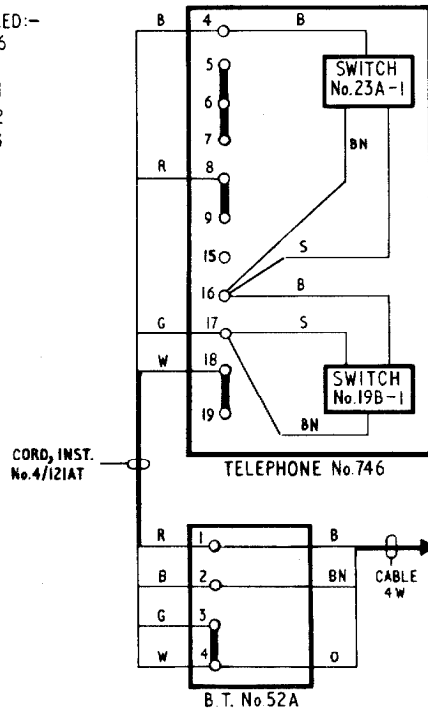


FIG.14 INTERMEDIATE USING TELEPHONE No.746

APPARATUS REQUIRED:-  
1 Telephone No.746  
1 Switch No.23A-1  
1 Switch No.19B-1  
1 Part 2/DBU/362  
2 Parts 1/DPI/203

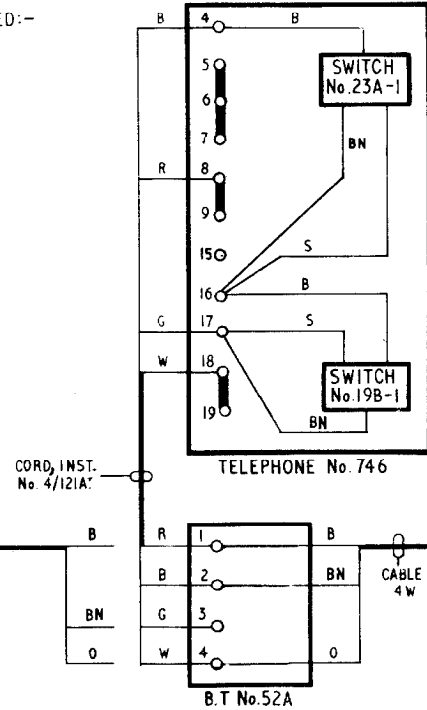
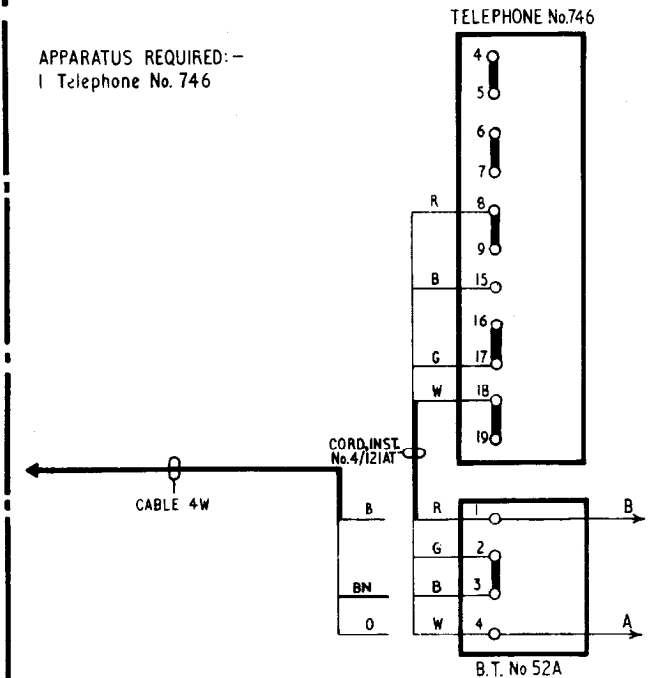


FIG.15 MAIN USING TELEPHONE No.746

APPARATUS REQUIRED:-  
1 Telephone No.746



NOTES:-

A Installations that do not include Telephone No.746 will use Figs. 10 & 12, and 11 if required. Only installations that include Telephones No.746 will have those stations connected to Figs 13,14 or 15, e.g an installation having a Telephone No.746 main and intermediate with a Telephone SR No.1...B last station will use Figs 10,14 and 15.

B Bell No.64... or 59... may be omitted. Strap Terminals J1 and 5A

EXTENSION PLAN 4 USING 1 OR MORE PORTABLE TELEPHONES SRI...B OR A COMBINATION OF TELEPHONES SRI...B & TELEPHONES No.746

FIG.16  
EXPLANATORY

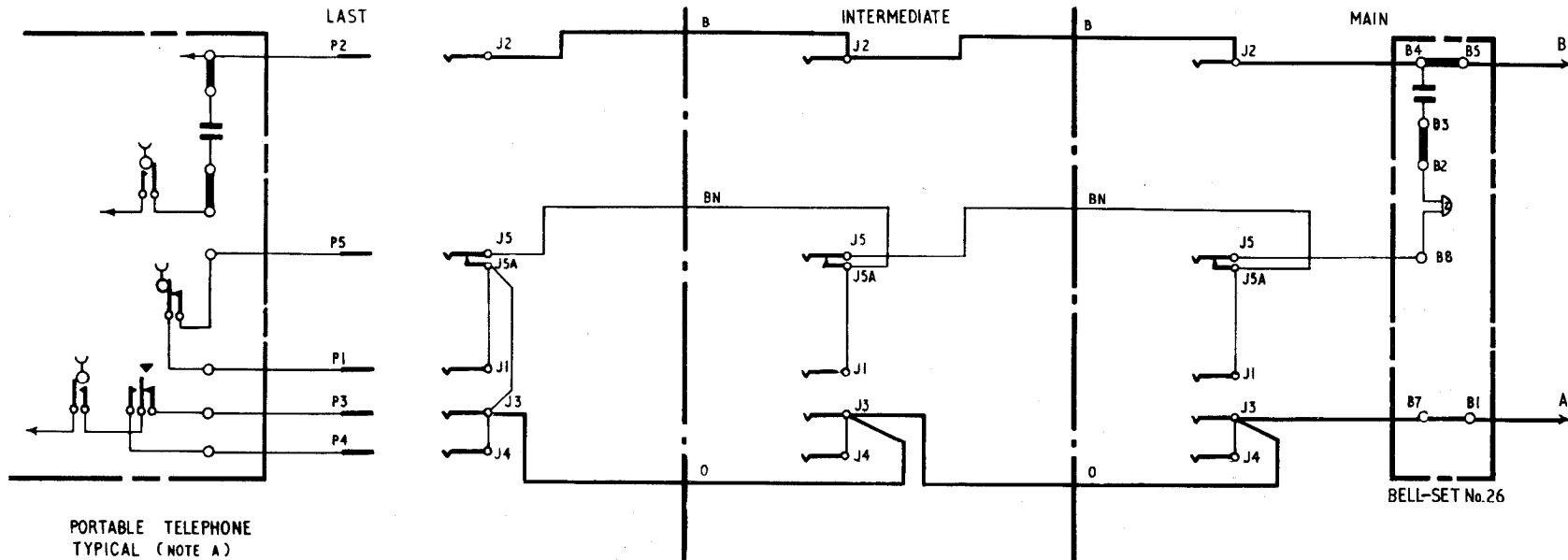
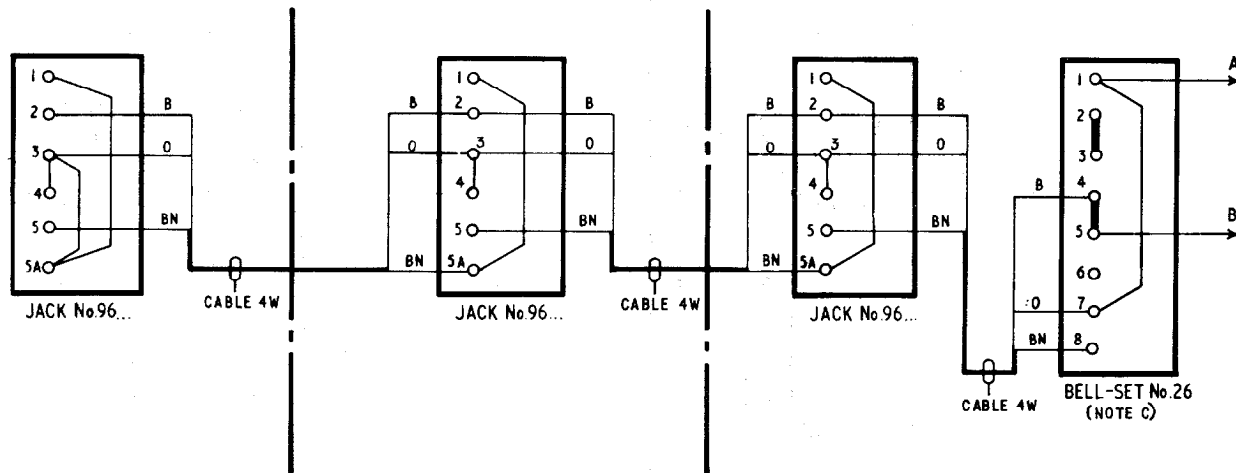


FIG.17  
WIRING

PORTABLE TELEPHONE  
(NOTE A)



NOTES:-

A Portable telephones will be Telephones SRI...B or Telephones No.746 wired in accordance with Fig.1

B APPARATUS REQUIRED:-

1 Bell-Set No 26

Jacks No.96A or B

Telephones SRI...B or Telephones No.746 (Note 3) } as required

C When an extension bell is required, remove strap between Terminals J1 and J5A and connect bell.

SHARED SERVICE (SEPARATE METERING)  
EXTENSION PLAN 4 USING 1 OR MORE PORTABLE TELEPHONES SRI...B OR A COMBINATION  
OF TELEPHONES SRI...B & TELEPHONES No. 746

FIG. 18  
EXPLANATORY

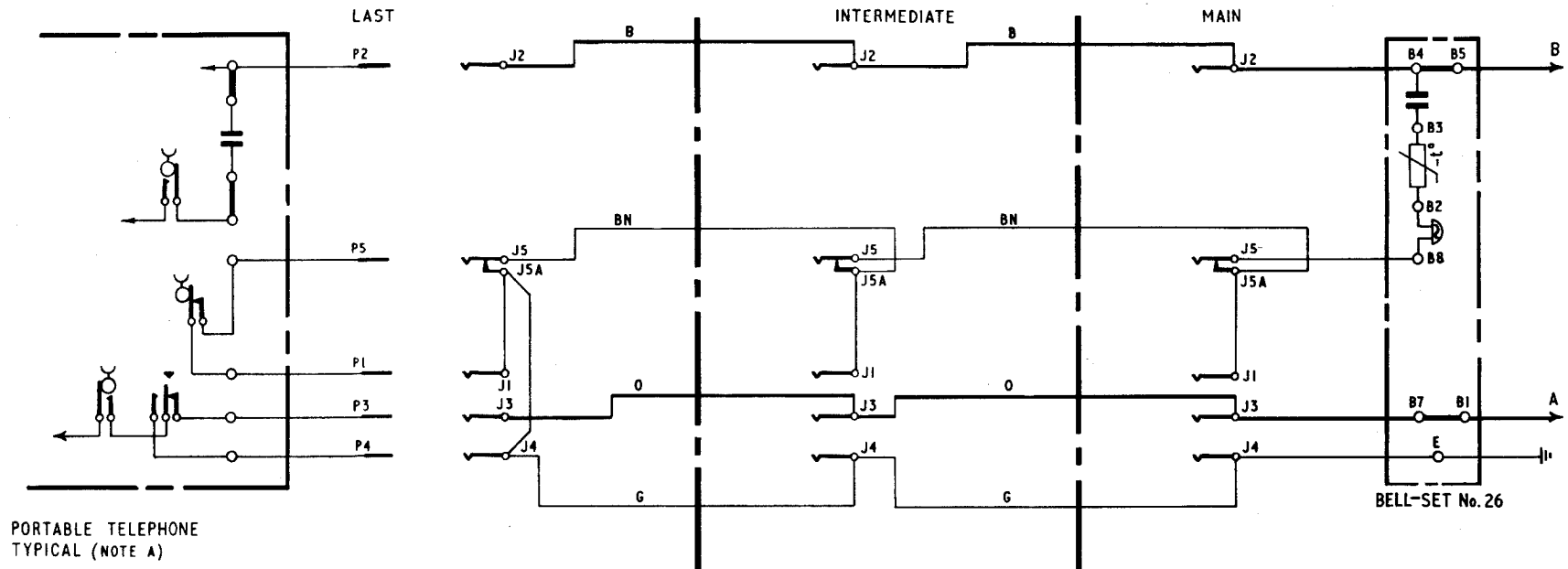
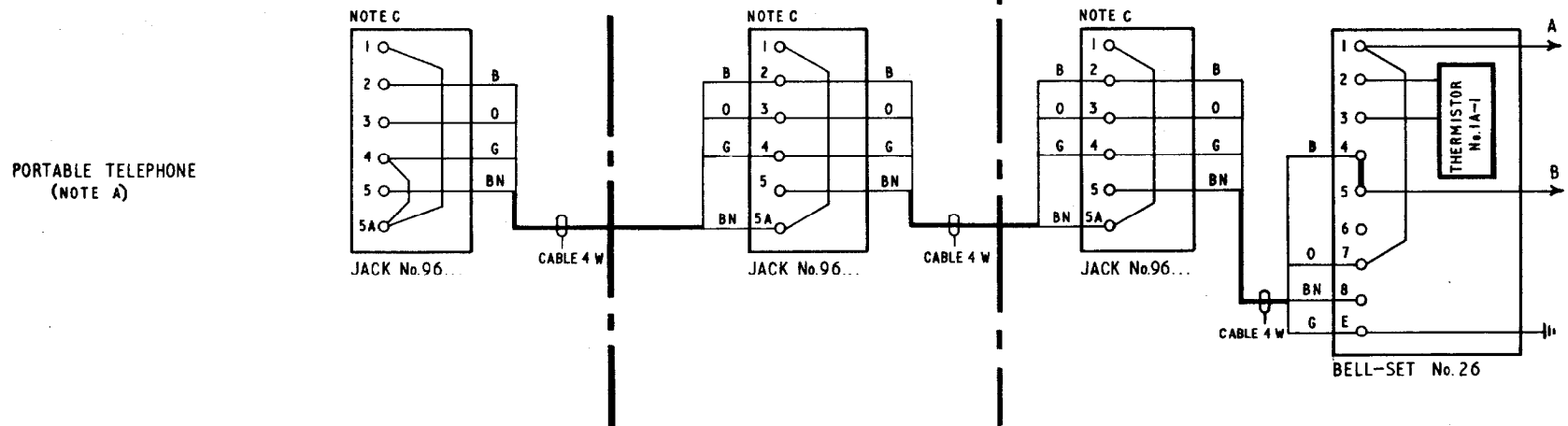


FIG. 19  
WIRING



NOTES:

A Portable telephones will be Telephone SRI...B or Telephone No.746 wired in accordance with Fig. 1

B APPARATUS REQUIRED:

1 Bell-Set No.26

1 Thermistor No.1A 1

Jacks No.96A or B

Telephone SRI...B or Telephone No.746 (Note 3) } as required

C When an extension bell is required remove strap between J1 and J5A and connect bell.

SHARED SERVICE (SEPARATE METERING)  
EXTENSION PLAN 1A USING TELEPHONES SRI...B OR A COMBINATION OF TELEPHONES SRI...B AND TELEPHONES No.746  
EXPLANATORY

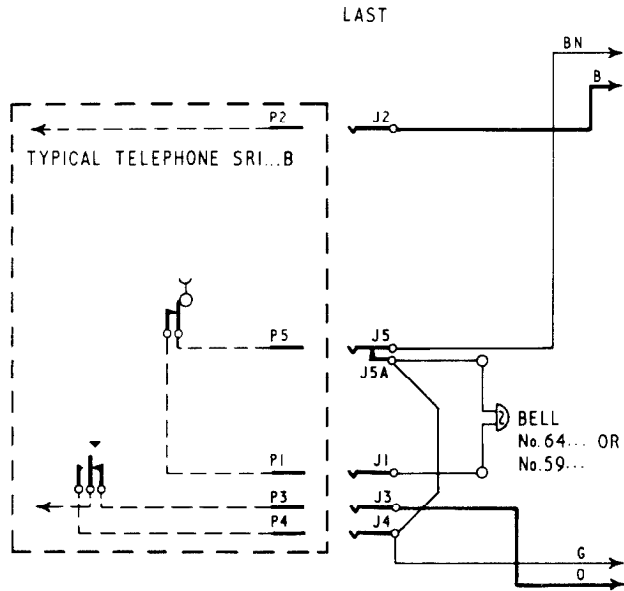


FIG. 20 USING TELEPHONE SRI...B

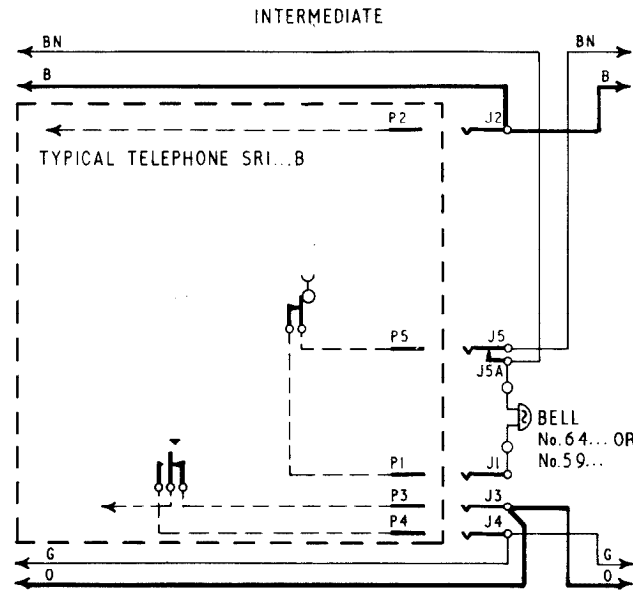


FIG. 21 USING TELEPHONE SRI...B

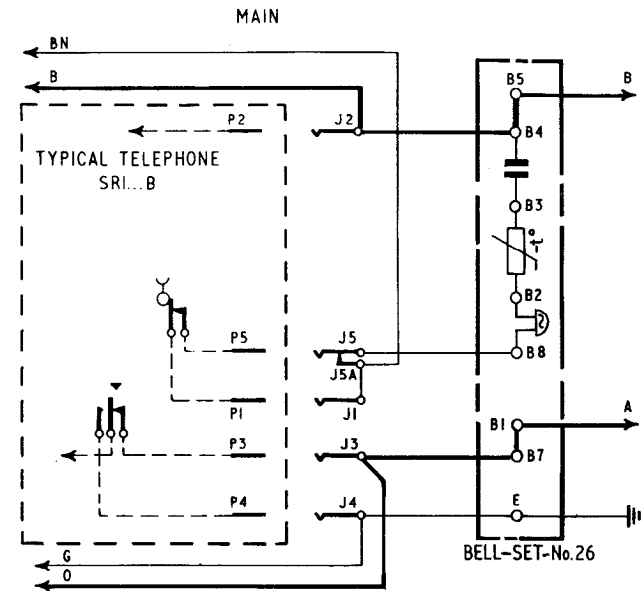


FIG. 22 USING TELEPHONE SRI...B

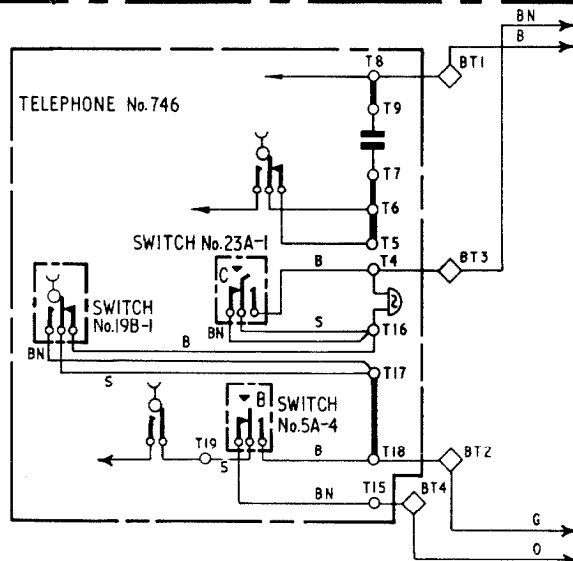


FIG. 23 USING TELEPHONE No.746

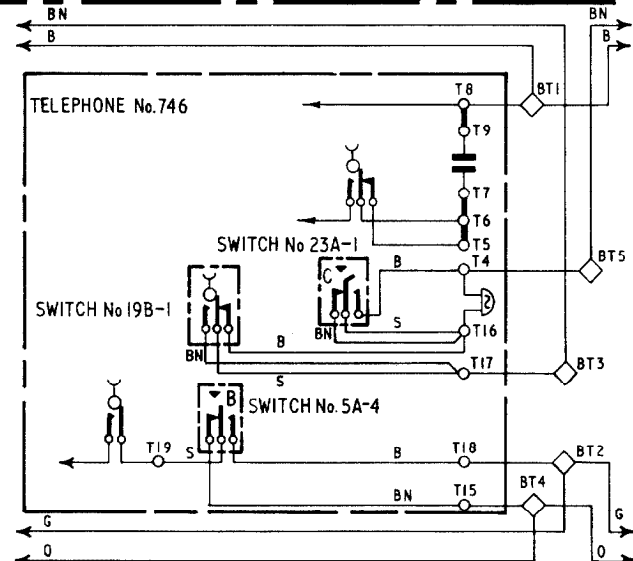


FIG. 24 USING TELEPHONE No.746

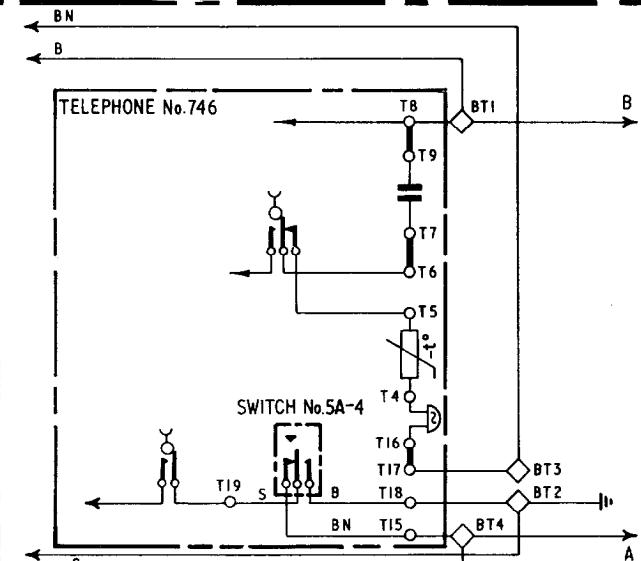


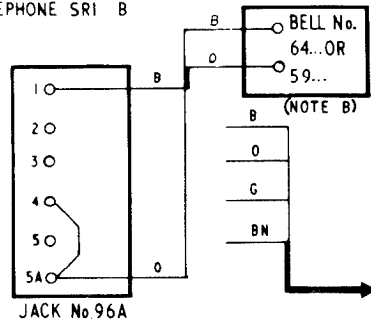
FIG. 25 USING TELEPHONE No.746

NOTE:-  
A Installations that do not include Telephones No.746 will use Figs 20 and 22, and 21 if required. Only installations that include Telephones No.746 will have those stations connected as Figs 23, 24 or 25, e.g. an installation having a Telephone No.746 main and intermediate with a Telephone SRI...B. Last station will use Figs 20, 24 and 25

SHARED SERVICE (SEPARATE METERING)  
EXTENSION PLAN IA USING TELEPHONES SRI...B OR COMBINATION OF TELEPHONES SRI...B AND TELEPHONES No.746

FIG.26 USING TELEPHONE SRI B

- APPARATUS REQUIRED -  
1 Telephone SRI B  
1 Jack No.96A  
1 Part 1/DCO/764  
1 Bell No.64 } as  
or 1 Bell No.59 } reqd



- APPARATUS REQUIRED -  
1 Telephone SRI...B  
1 Jack No.96A  
1 Part 1/DCO/764  
1 Bell No.64 } as  
or 1 Bell No.59 } reqd

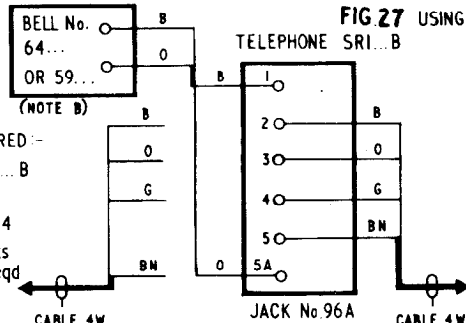


FIG.28 USING TELEPHONE SRI B

- APPARATUS REQUIRED -  
1 Telephone SRI...B  
1 Part 1/DCO/764  
1 Bell-Set No.26  
1 Thermistor No.1A-1  
1 Jack No.96A

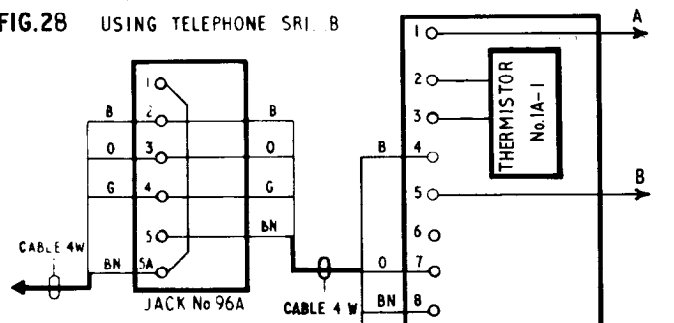


FIG.29 USING TELEPHONE No.746

- APPARATUS REQUIRED -  
1 Telephone No.746  
1 Switch No.5A-4  
1 Switch No.23A-1  
1 Switch No.19B-1  
2 Parts 1/DPI/203  
1 Part 1/DBU/363  
1 Part 2/DBU/363  
1 Part 1/DPL/1022

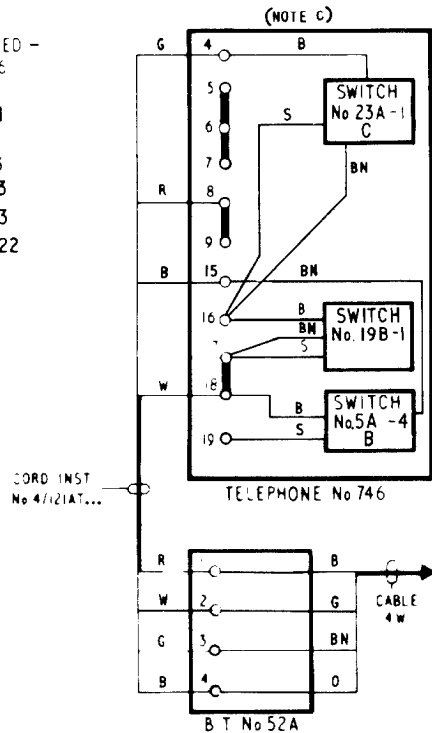


FIG.30 USING TELEPHONE No.746

- APPARATUS REQUIRED -  
1 Telephone No.746  
1 Switch No.5A-4  
1 Switch No.23A-1  
1 Switch No.19B-1  
2 Parts 1/DPI/203  
1 Part 1/DBU/363  
1 Block Terminal No.35A  
1 Cord Inst No.6/61AT  
1 Part 1/DPL/1022

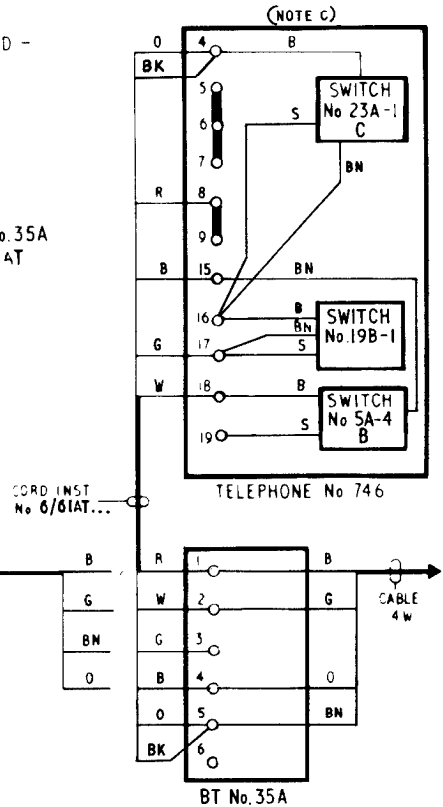
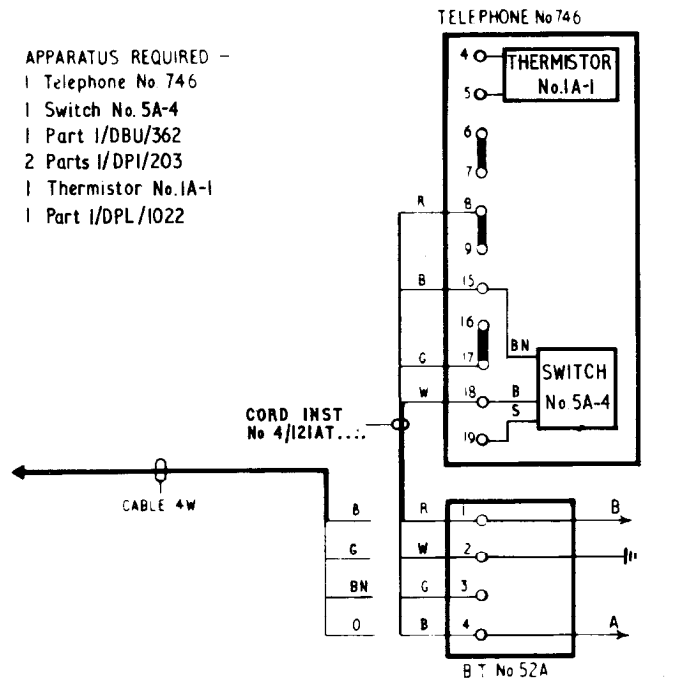


FIG.31 USING TELEPHONE No.746

- APPARATUS REQUIRED -  
1 Telephone No.746  
1 Switch No.5A-4  
1 Part 1/DBU/362  
2 Parts 1/DPI/203  
1 Thermistor No.1A-1  
1 Part 1/DPL/1022



NOTES -

- A Installations that do not include Telephone No.746 will use Figs 26 & 28, and 27 if required. Only installations that include Telephones No.746 will have those stations connected to Figs 29,30 or 31, e.g an installation having a Telephone No.746 main and intermediate with a Telephone SRI...B last station will use Figs 31,30 and 26.
- B Bell No.64 or 59 may be omitted. Strap J1 and J5A.
- C Fit Switch No.5A-4 and Part 1/DBU/363 in position 'B', fit Switch No.23A-1 and Part 2/DBU/363 in position 'C'.