

SPECIAL RANGE TELEPHONES

TELEPHONES SR1...A DIRECT EXCHANGE LINES AND EXTENSION PLAN ARRANGEMENTS 1A AND 4
EXCLUSIVE AND SHARED SERVICE (SEPARATE METERING)

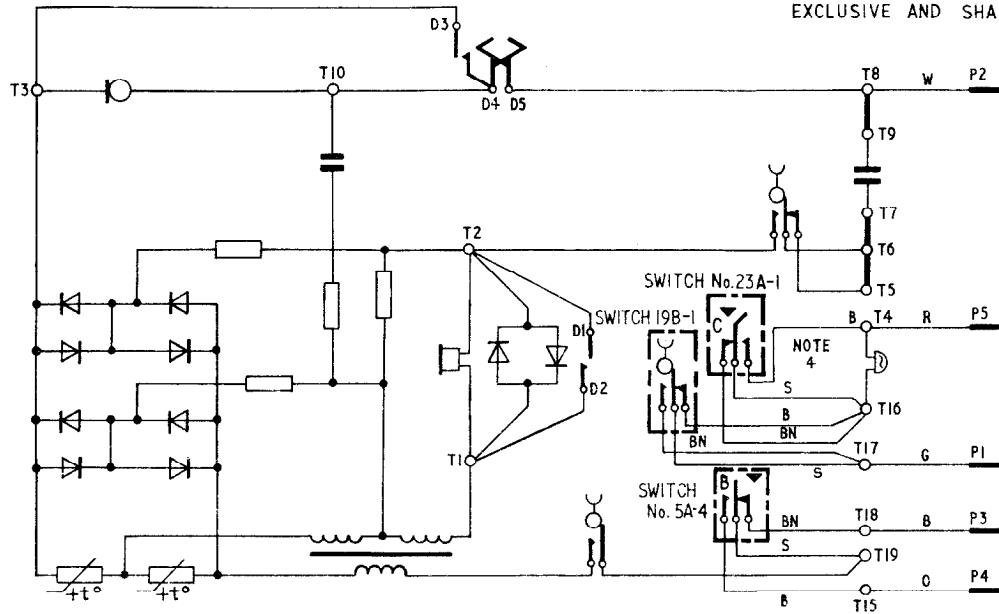


FIG.1 TELEPHONE No.746 WIRED TO PROVIDE THE SAME CIRCUIT CONDITIONS AS A TELEPHONE SR1...A (NOTE 1)

NOTES:—

- 1 Telephones SR1...A will probably have a different transmission circuit to that shown in Fig.1 but the circuit conditions that can be tested at the plug will be identical
- 2 A Telephone No.746 wired in accordance with Fig.1 may be used as a temporary maintenance replacement for Telephones SR1...A
- 3 Apparatus required for Fig.1
 1 Telephone No.746
 1 Switch No.19B-1
 1 Switch No.5A-4
 1 Switch No.23A-1
 1 Part 2/DBU/363
 1 Part 1/DBU/363
 2 Parts 1/DPI/203
 1 Part 1/DPL/1022
 1 Plug No.505 with Cord No.5/39AD
- 4 The bell off facility should only be made available on Plan 1A extensions and Plan 4 Telephones No.746 (if requested). To bar the bell off facility on Telephones No.746 wired to Fig.1 shift blue lead of Switch No.23A-1 from Terminal T4 to T11.

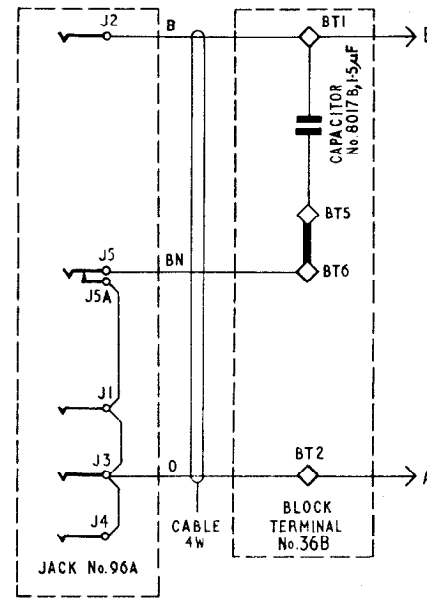


FIG.2 DIRECT EXCHANGE LINE EXCLUSIVE SERVICE

NOTES:—

- A Apparatus required
 1 Telephone SR1...A
 1 Jack No.96A
 1 Capacitor No.8017B, 1.5µF
 1 Block Terminal No.36B
 1 Part 1/DCO/764
- B When an extension bell is required remove Strap between BT5-BT6 and connect bell.
- C If more convenient the line may be terminated on the jack

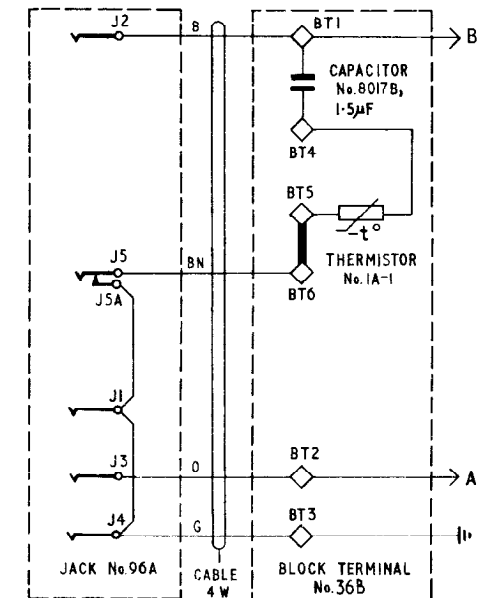


FIG.3 DIRECT EXCHANGE LINE SHARED SERVICE (SEPARATE METERING)

NOTES:—

- A Apparatus required
 1 Telephone SR1...A
 1 Jack No.96A
 1 Capacitor No.8017B, 1.5µF
 1 Block Terminal No.36B
 1 Part 1/DCO/764
 1 Thermistor No.1A-1
- B When an extension bell is required remove Strap between BT5-BT6 and connect bell.
- C If more convenient the line and earth may be terminated on the jack

- 5 All Telephones SR1...A except Plan 4 portable telephones must be made captive in the jack by a Part 1/DCO/764 (Cover Locking).
- 6 Recover Cord Inst.No.4/121AT and Block Terminal No.52A. Fit Plug No.505 and Cord Inst.No.5/39AD. Fit Switch No.5A-4 and Part 1/DBU/363 in Position B. Fit Switch No.23A-1 and Part 2/DBU/363 in Position 'C'. Fit Switch No.19B-1.
- 7 Shared service diagrams give the line connexions for X parties. For Y parties reverse the A and B wires.

REFERENCES

| | |
|---|-----------|
| Telecommunications Instruction | C3 B1060 |
| Telephone No.746 | Dgm N846 |
| General notes and index of Special Range Telephone Diagrams | Dgm N4900 |

| | | | | | |
|--|-------|---------|--|------------------|---------|
| PO TELECOMMS HQRS PAPER:— W DISTN:— GENERAL | ISSUE | C | VALUE OF CAPACITOR No.8017B SHOWN. NOTE D ON PAGE 3 AMENDED. | TD 7-1-3 | 2-2-78 |
| | | B | MINOR AMENDMENTS. <i>S.A.H.</i> | TD 7-1-3 | 5-10-76 |
| | | A | ADD-ON SWITCHES: COLOURS AMENDED. <i>ML</i> | TD 2-3-1 SECTION | 16-8-73 |
| | | GENERAL | | | 14-5-73 |

EXTENSION PLAN 1A USING TELEPHONES SR I...A OR A COMBINATION OF TELEPHONES SR I...A
AND TELEPHONES No. 746

EXPLANATORY

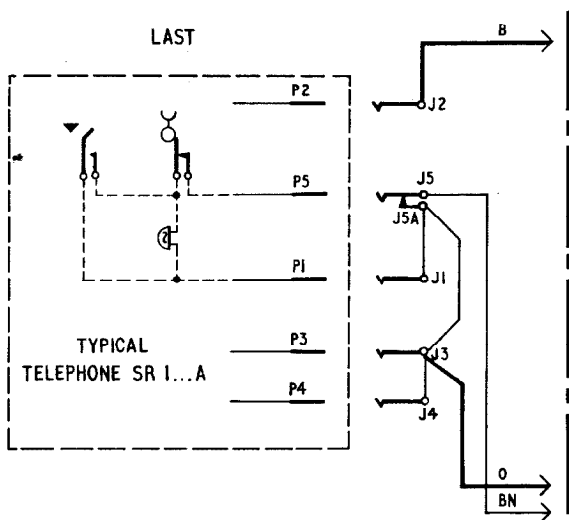


FIG. 4 USING TELEPHONE SR I...A

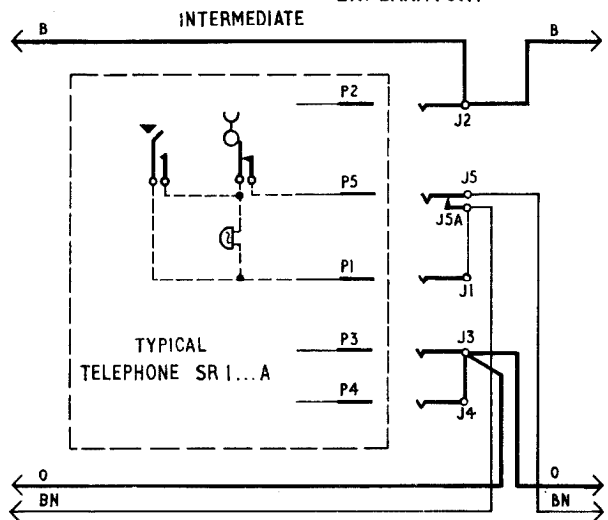


FIG. 5 USING TELEPHONE SR I...A

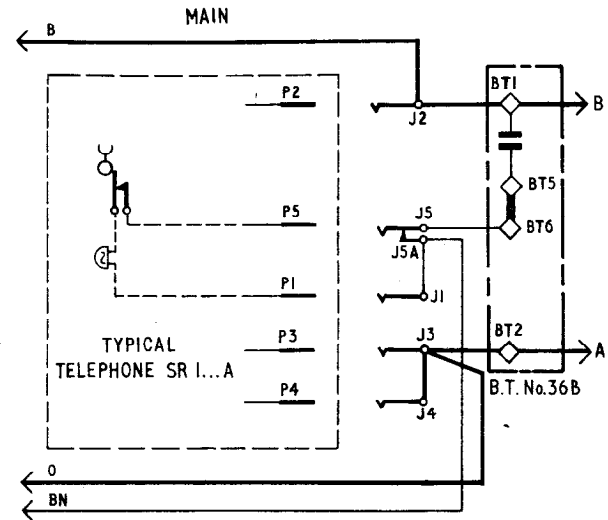


FIG. 6 USING TELEPHONE SR I...A

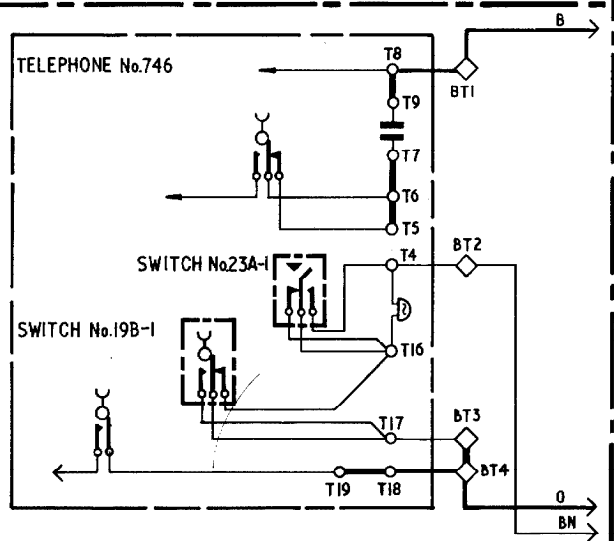


FIG. 7 USING TELEPHONE No. 746

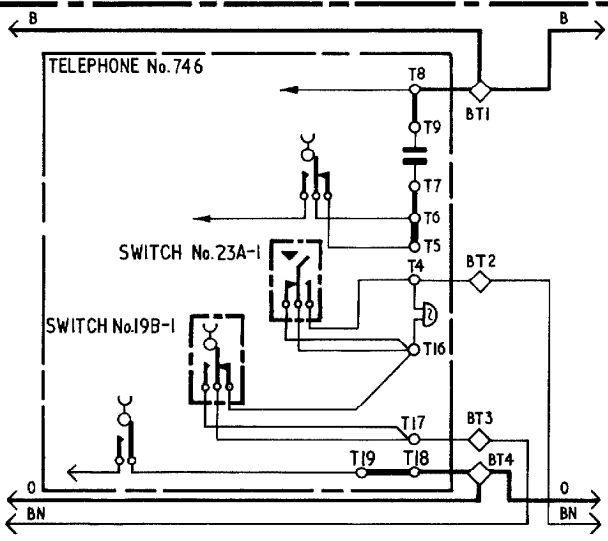


FIG. 8 USING TELEPHONE No. 746

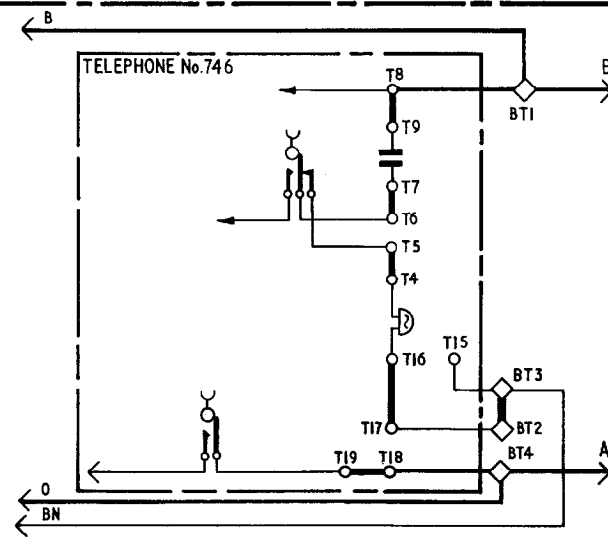


FIG. 9 USING TELEPHONE No. 746

NOTES:-

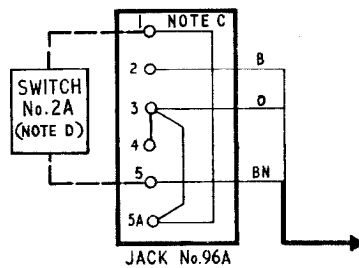
A installations that do not include Telephones No.746 will use Figs. 4 and 6, and 5 if required. Only installations that include Telephones No.746 will have those stations connected as Figs. 7,8 or 9. e.g. an installation having a Telephone No.746 main and intermediate with a Telephone SR I...A last station will use Figs. 4,8 and 9.

EXTENSION PLAN IA USING TELEPHONES SRI...A OR COMBINATION OF TELEPHONES SRI...A AND TELEPHONE No.746

LAST

FIG.10 USING TELEPHONE SRI...A

APPARATUS REQUIRED:-
1 Telephone SRI...A
1 Jack No.96A
1 Part 1/DCO/764

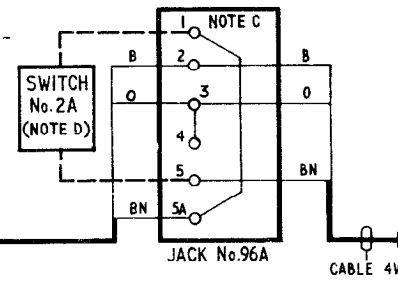


WIRING

INTERMEDIATE

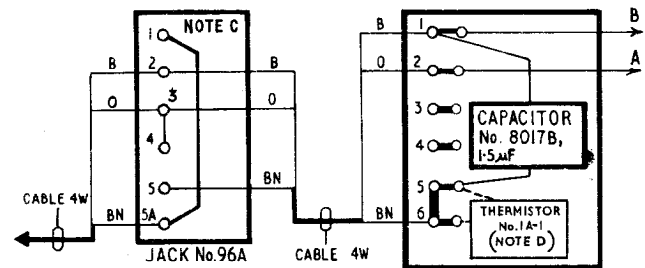
FIG.11 USING TELEPHONE SRI...A

APPARATUS REQUIRED:-
1 Telephone SRI...A
1 Jack No.96A
1 Part 1/DCO/764



MAIN

FIG.12 USING TELEPHONE SRI...A



APPARATUS REQUIRED:-
1 Telephone SRI...A
1 Capacitor No.8017B, 1.5µF
1 Block Terminal No.36B
1 Jack No.96A
1 Part 1/DCO/764
1 Thermistor No.1A-1 (NOTE D)

FIG.13 USING TELEPHONE No.746

APPARATUS REQUIRED:-
1 Telephone No.746
1 Switch No.23A-1
1 Switch No.19B-1
1 Part 2/DBU/362
2 Parts 1/DPI/203

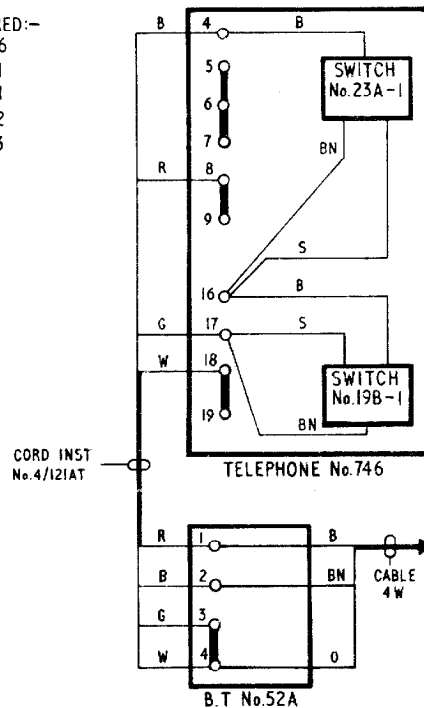


FIG.14 USING TELEPHONE No.746

APPARATUS REQUIRED:-
1 Telephone No.746
1 Switch No.23A-1
1 Switch No.19B-1
1 Part 2/DBU/362
2 Parts 1/DPI/203

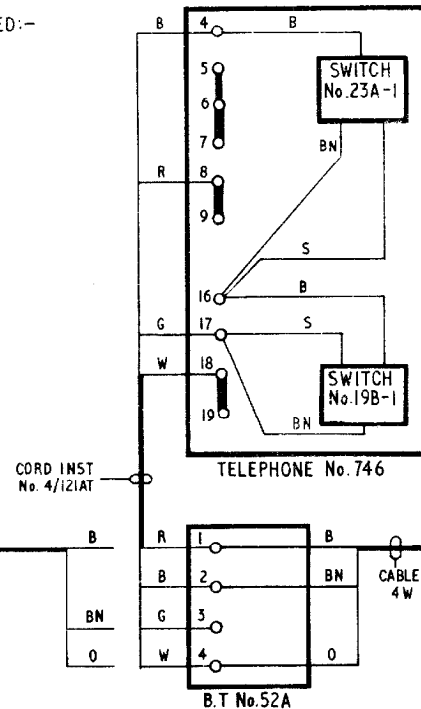
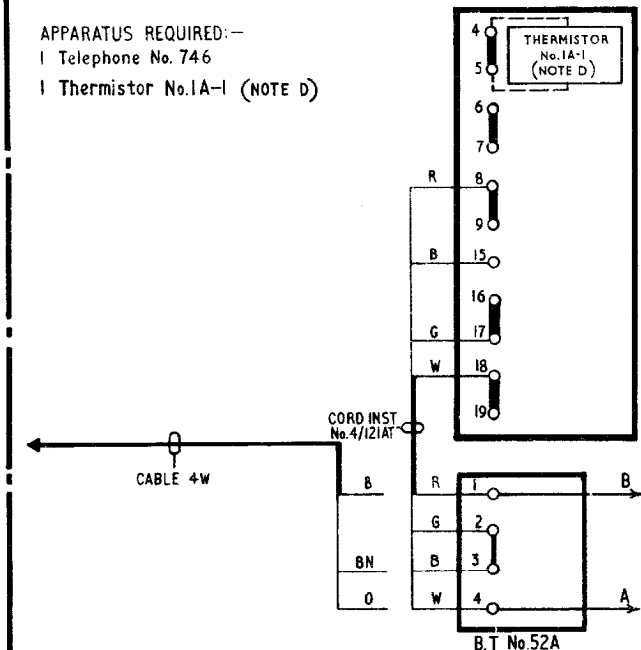


FIG.15 USING TELEPHONE No.746

APPARATUS REQUIRED:-
1 Telephone No.746
1 Thermistor No.1A-1 (NOTE D)



NOTES:-

A Installations that do not include Telephone No.746 will use Figs.10 & 12 and Fig.11 if required. Only installations that include Telephones No.746 will have those stations connected to Figs.13,14 or 15, e.g. an installation having a Telephone No.746 main and intermediate with a Telephone SRI...A last station will use Figs.10, 14 & 15.

B The Telephone SRI...A calling device off position (if provided) may only be made available to the user on last or intermediate stations.

C When an extension bell is required, connect in place of strap between Terminals J1 and J5A.

D Some Telephones SRI...A (e.g. Telephone SRI000A) do not incorporate a suitable switch for the bell off facility. When such telephones are used as Plan IA Extensions, a Switch No.2A must be connected across Terminals J1 and J5 of each associated jack. Additionally, at the main station, a Thermistor No.1A-1 must be fitted either instead of the strap across Terminals BT5 and BT6 (if the main station is a Telephone SRI...A), or instead of the strap between Terminals T4 and T5 (if the main station is a Telephone No.746).

EXTENSION PLAN 4 USING 1 OR MORE PORTABLE TELEPHONES SRI...A OR A COMBINATION OF TELEPHONES SRI...A & TELEPHONE No.746

FIG.16
EXPLANATORY

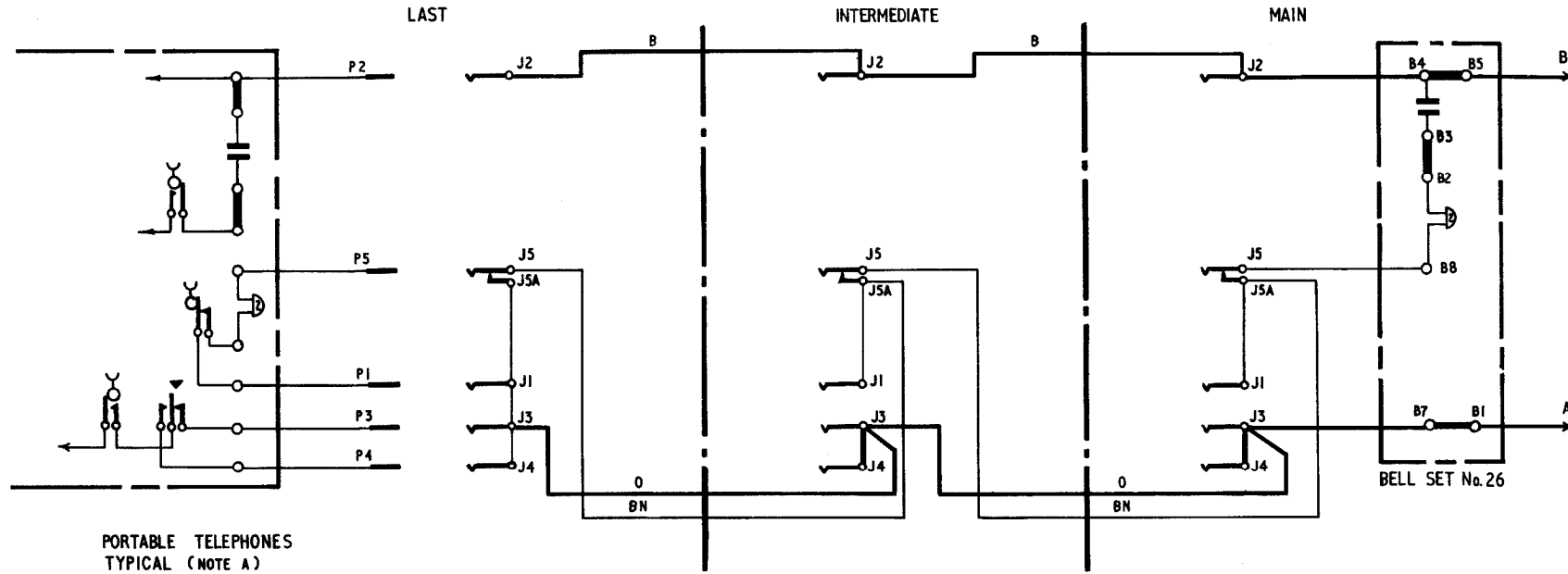
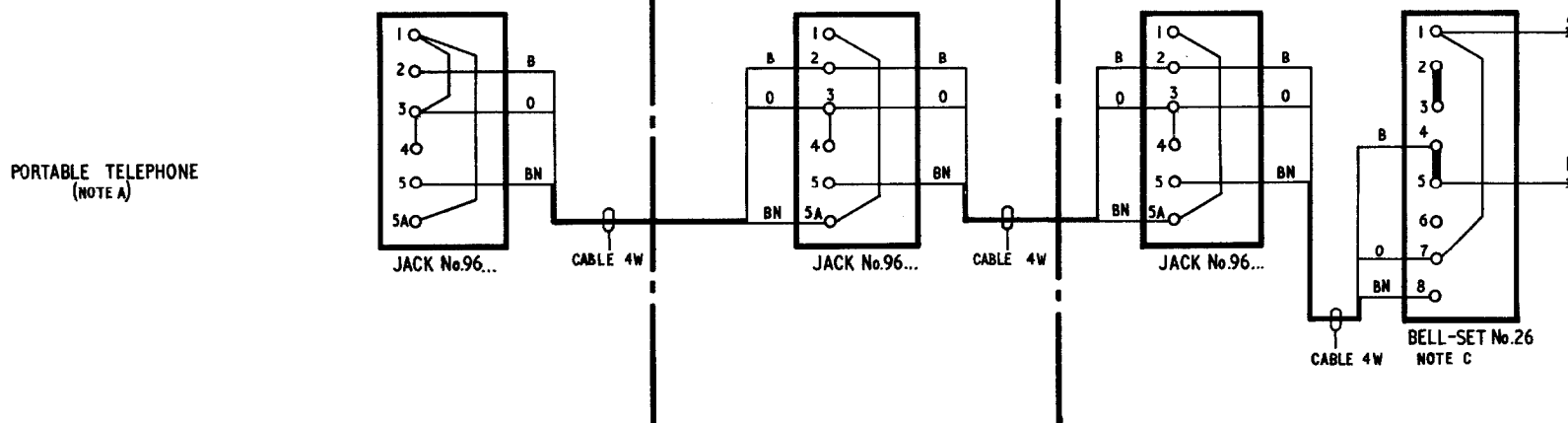


FIG. 17
WIRING



NOTES:-

- A Portable telephones will be Telephone SRI...A or Telephone No.746 wired in accordance with Page 1 Fig.1
- B Apparatus Required:-
 - 1 Bell-Set No.26
 - Jacks No.96A or 96B
 - Telephones SRI...A or Telephones No.746 (Page 1 note 3) } as required
- C When an extension bell is required, remove strap between Terminals B2 and B3 of Bell-Set No.26 and connect bell.

SHARED SERVICE (SEPARATE METERING)

EXTENSION PLAN 4 USING 1 OR MORE PORTABLE TELEPHONES SRI...A OR A COMBINATION OF TELEPHONES SRI...A AND TELEPHONES No.746

LAST

INTERMEDIATE

MAIN

FIG. 18
EXPLANATORY

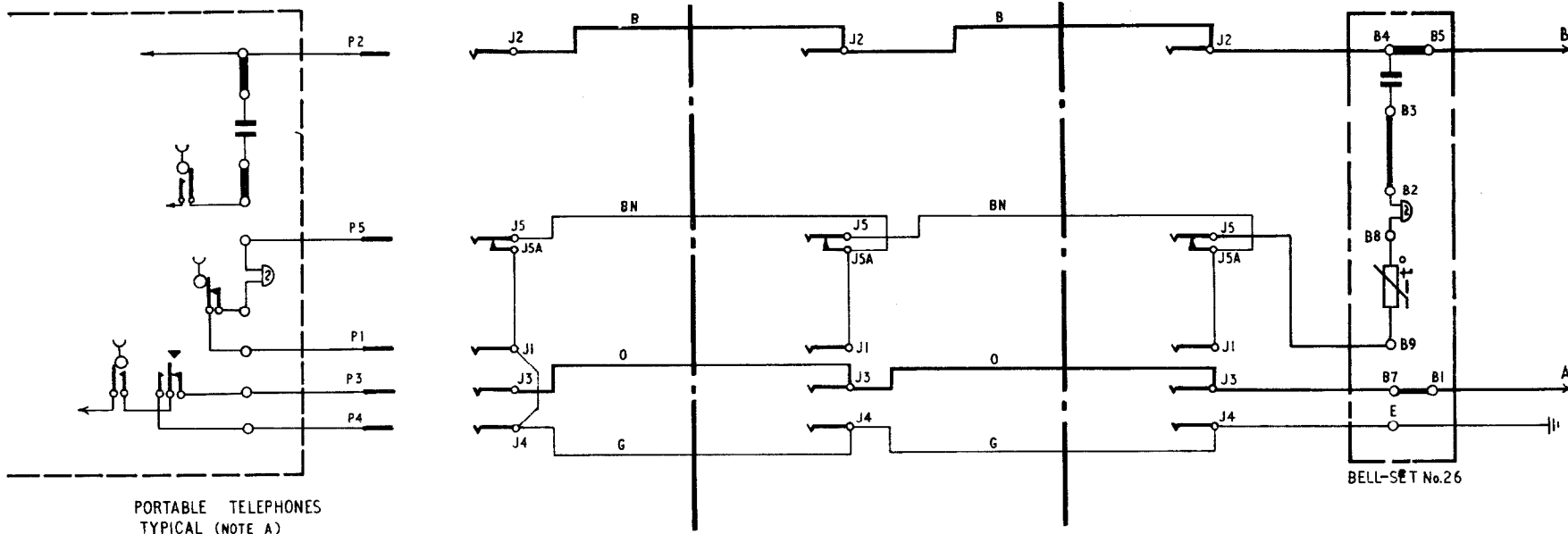
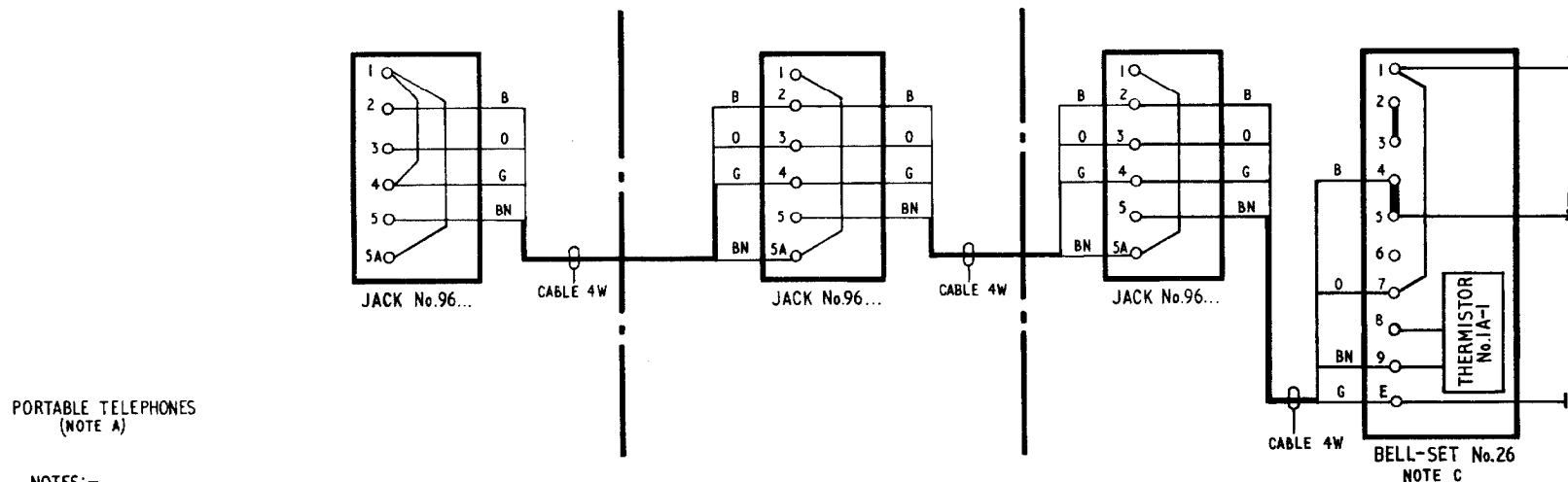


FIG. 19
WIRING



PORTABLE TELEPHONES
(NOTE A)

NOTES:-

A Portable telephone will be Telephones SRI...A or Telephones No. 746 wired in accordance with Page 1 Fig 1

B Apparatus Required:-

1 Thermistor No. 1A-1

1 Bell-Set No. 26

Jacks No. 96A or 96B

Telephones SRI...A or Telephones No. 746 (Page 1 note 3) } as required

C When an extension bell is required, remove strap between Terminals B2 and B3 of Bell-Set No. 26 and connect bell.

SHARED SERVICE (SEPARATE METERING)
EXTENSION PLAN IA USING TELEPHONE SRI...A OR A COMBINATION OF TELEPHONE SRI...A AND TELEPHONE No.746
EXPLANATORY

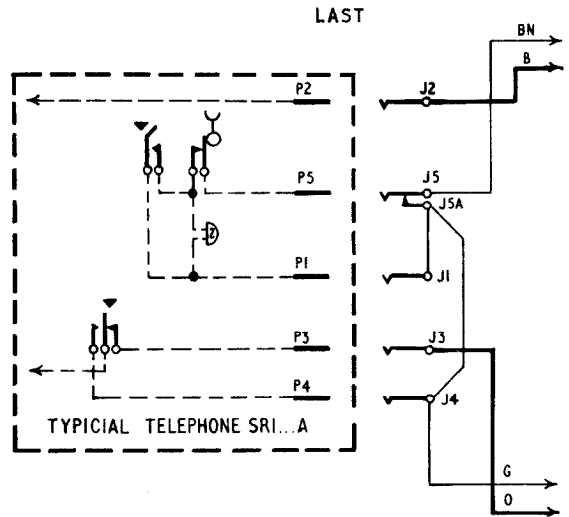


FIG. 20 USING TELEPHONE SRI...A

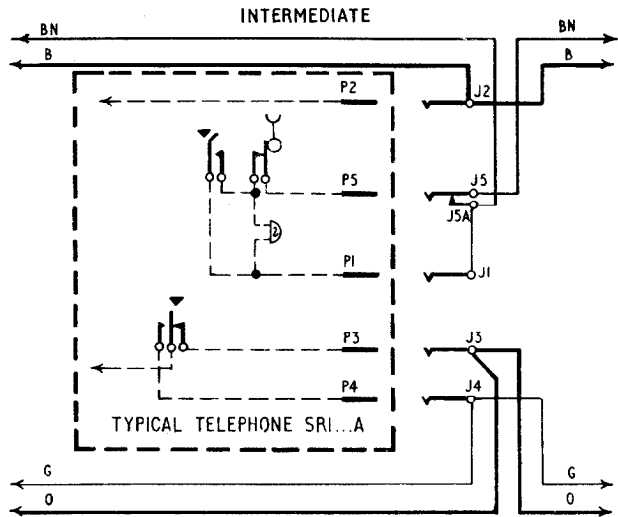


FIG. 21 USING TELEPHONE SRI...A

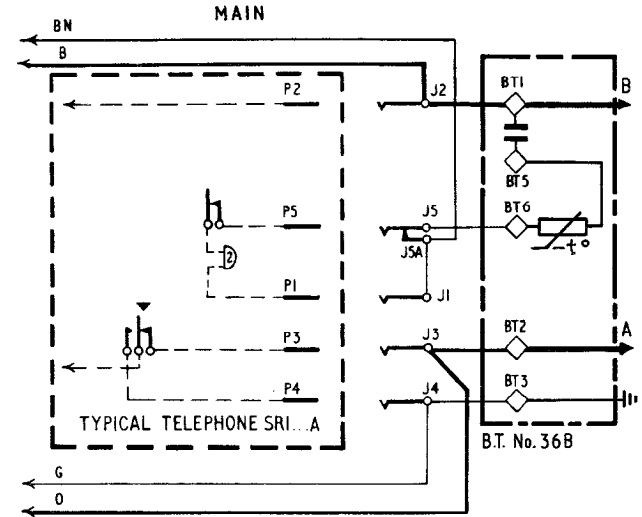


FIG. 22 USING TELEPHONE SRI...A

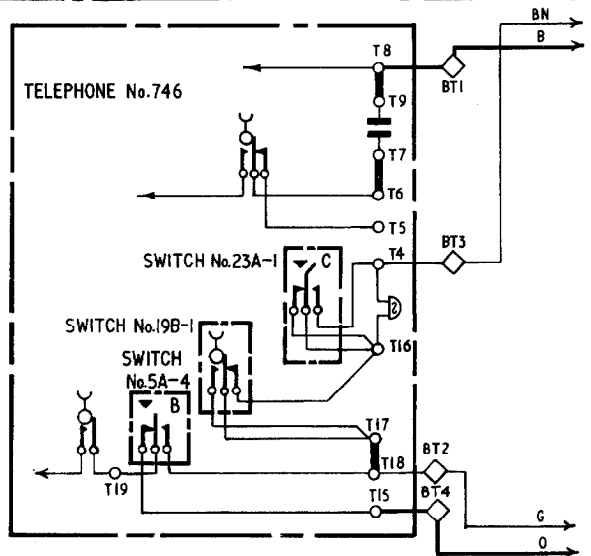


FIG. 23 USING TELEPHONE No. 746

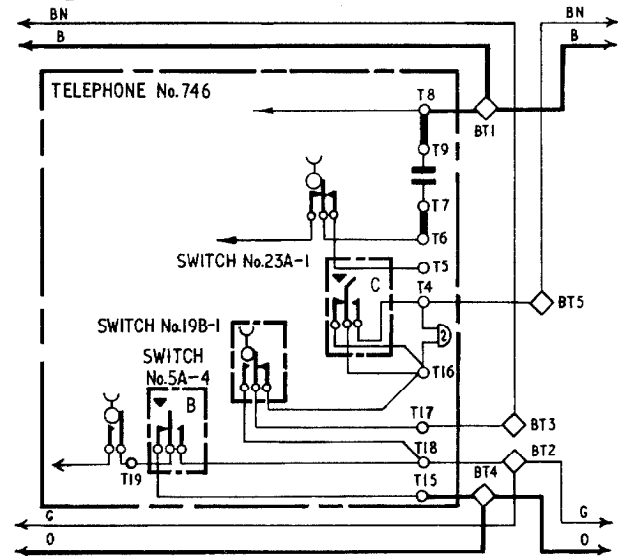


FIG. 24 USING TELEPHONE No. 746

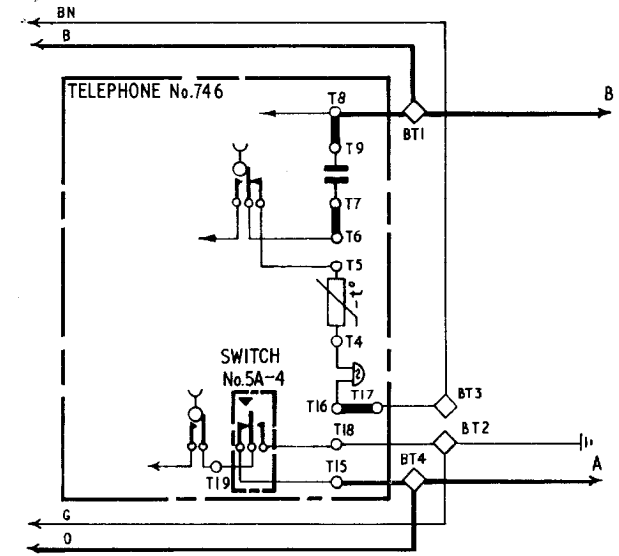


FIG. 25 USING TELEPHONE No. 746

NOTES:-

A Installations that do not include Telephone No. 746 will use Figs. 20 and 22, and 21 if required. Only installations that include Telephone No. 746 will have those stations connected as Figs. 23, 24 or 25 e.g. an installation having a Telephone No. 746 main and intermediate with a Telephone SRI...A last station will use Figs. 20, 24 and 25.

SHARED SERVICE (SEPARATE METERING)
EXTENSION PLAN IA USING TELEPHONES SRI...A OR A COMBINATION OF TELEPHONES SRI...A AND TELEPHONES No. 746

LAST

WIRING

INTERMEDIATE

MAIN

FIG. 26 USING TELEPHONE SRI...A

- APPARATUS REQUIRED:-
 1 Telephone SRI...A
 1 Jack No.96A
 1 Part 1/DCO/764

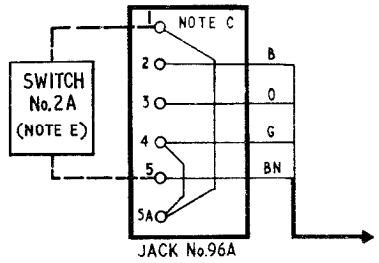


FIG. 27 USING TELEPHONE SRI...A

- APPARATUS REQUIRED:-
 1 Telephone SRI...A
 1 Jack No.96A
 1 Part 1/DCO/764

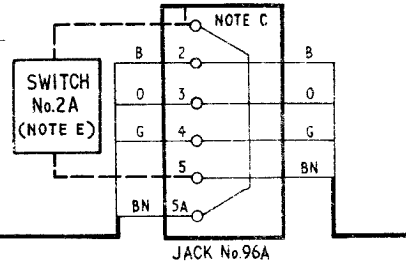
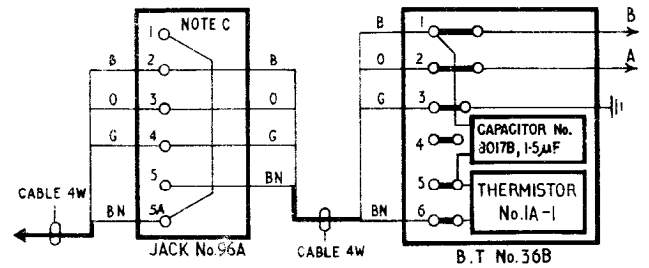


FIG. 28 USING TELEPHONE SRI...A



APPARATUS REQUIRED:-

- 1 Telephone SRI...A
 1 Jack No.96A
 1 Capacitor No. 8017B, 1.5µF
 1 Part 1/DCO/764
 1 Block Terminal No.36B
 1 Thermistor No.1A-1

FIG. 29 USING TELEPHONE No. 746

- APPARATUS REQUIRED:-
 1 Telephone No. 746
 1 Switch No.5A-4
 1 Switch No.23A-1
 1 Switch No.19B-1
 2 Parts 1/DP1/203
 1 Part 1/DBU/363
 1 Part 2/DBU/363
 1 Part 1/DPL/1022

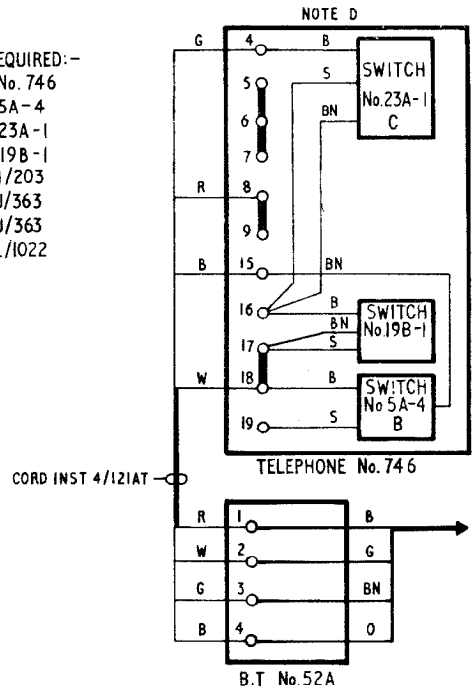


FIG. 30 USING TELEPHONE No. 746

- APPARATUS REQUIRED:-
 1 Telephone No. 746
 1 Switch No.5A-4
 1 Switch No.23A-1
 1 Switch No.19B-1
 2 Parts 1/DP1/203
 1 Part 1/DBU/363
 1 Part 2/DBU/363
 1 Block Terminal No.35A
 1 Cord Instrument 6/61AT
 1 Part 1/DPL/1022

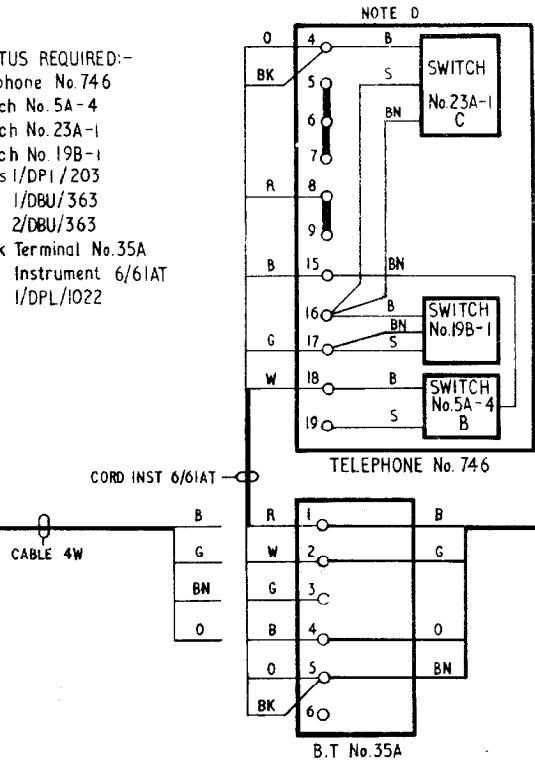
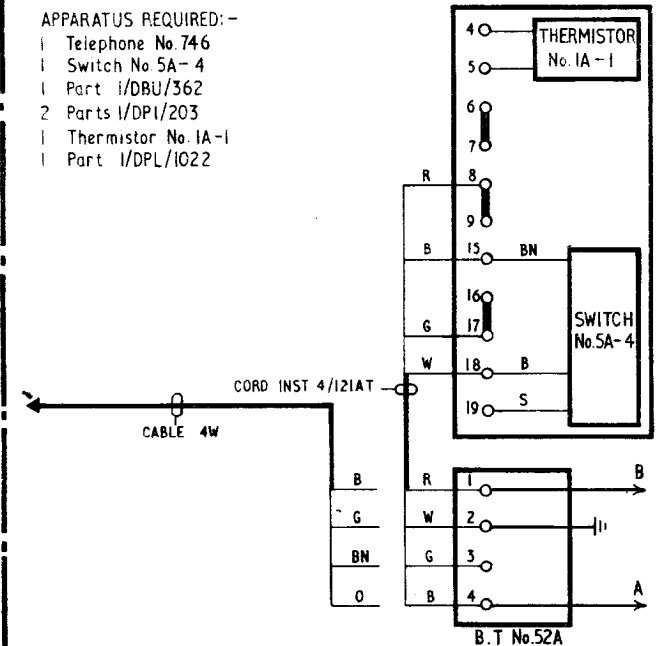


FIG. 31 USING TELEPHONE No. 746

- APPARATUS REQUIRED:-
 1 Telephone No. 746
 1 Switch No.5A-4
 1 Part 1/DBU/362
 2 Parts 1/DP1/203
 1 Thermistor No.1A-1
 1 Part 1/DPL/1022



NOTES:-

- A Installations that do not include Telephone No.746 will use Figs 26 and 28, and 27 if required. Only installations that include Telephone No.746 will have stations connected to Figs 29, 30 or 31, e.g. an installation having a Telephone No.746 main and intermediate with a Telephone SRI...A last station will use Figs. 26, 30 and 31.
- B The Telephone SRI...A calling device off position (if provided) may only be made available to the user on last and intermediate stations
- C When an extension bell is required connect in place of strap between Terminals J1 and J5A.
- D Fit Switch No.5A-4 and Part 1/DBU/363 in Position "B"; fit Switch No.23A-1 and Part 2/DBU/363 in Position "C".
- E Some Telephones SRI...A (e.g. Telephone SRI000A) do not incorporate a suitable switch for the bell off facility. When such telephones are used as Plan IA Extensions, a Switch No.2A must be connected across Terminals J1 and J5 of each jack.