

C.B. & AUTOMATIC SYSTEMS

CONNEXIONS OF TELEPHONE No.713 ..., BELL-SET No.48 & MOUNTING, DIAL-AUTO No.19. 14-10-63.

NOTES :-

1. APPARATUS REQUIRED :-

TELEPHONE No. 713

BELL-SET No. 48

MOUNTING DIAL-AUTO No. 19

SWITCH No. 5A-7

PART 2/DBU/344

PART 1/DSP/1279

} WHEN REQUIRED

2. FOR C.B. SYSTEM OR WHEN DIALLING FACILITY IS NOT REQUIRED OMIT MOUNTING DIAL-AUTO No.19 AND STRAP TERMINALS 8 AND 10 IN BELL SET No. 48.

3. AN EXTENSION BELL MAY BE CONNECTED IN PLACE OF STRAP BETWEEN TERMINALS 17 & 18 IN BELL SET No.48.

4. FOR D.E.L. AND P.B.X. EXTENSION WITHOUT RECALL CONNECT AS SHOWN ON PANEL. 4.

5. WHEN SWITCH No.5A-7 OR PART 1/DSP/1279 IS FITTED INTO THE TELEPHONE A 12W CABLE IS REQUIRED BETWEEN BELL-SET No.48 AND TELEPHONE No.713, THE ADDITIONAL CONDUCTORS ARE USED TO COMPLETE CONNEXIONS TO THE ADD-ON UNIT AS SHOWN ON PANEL 4. EXAMPLES OF THE USE OF SWITCH No.5A-7 AND THE AUXILIARY GRAVITY SPRINGSET, PART 1/DSP/1279 ARE SHOWN ON PANEL 2.

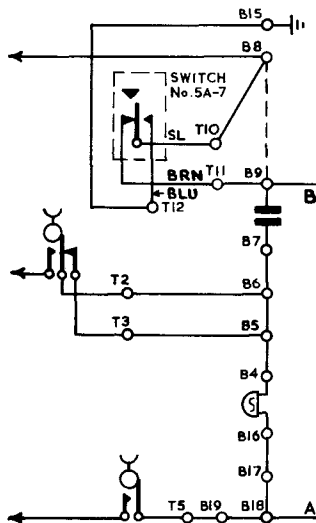
6. TO FIT A BUZZER No. 32A-1 TO THE BELL-SET No. 48 AN ADDITIONAL BRACKET, PART 1/DBR/442, IS REQUIRED. THE BUZZER No. 32A-1 SHOULD BE POSITIONED BELOW THE INDUCTION COIL, PART 1/DBR/442 BEING SECURED BY THE PRINTED CIRCUIT BOARD FIXING SCREW ADJACENT TO TERMINAL 1.

CIRCULATION	C.B. AUTO
	Suffix
PAPER	Amendt
	W

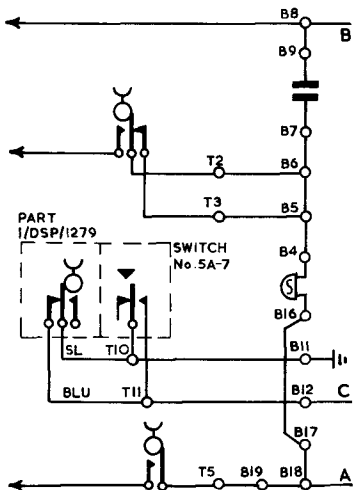
N 4699

4 PANELS-2

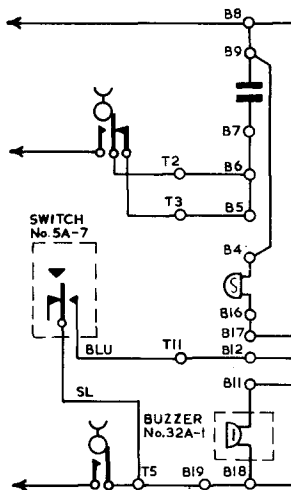
SHOWING CONNEXIONS OF SWITCH 5A-7 FOR USE ON 2W P.B.X. EXTENSION WITH RECALL.



SHOWING CONNEXIONS OF SWITCH No. 5A-7 AND PART 1/DSP/1279, FOR USE ON EXTENSION OF P.M.B.X.'S. WITH C WIRE SIGNALLING.



SHOWING CONNEXIONS OF SWITCH 5A-7 & BUZZER No. 32A-1, FOR USE ON EXTENSION OF PLAN 107.

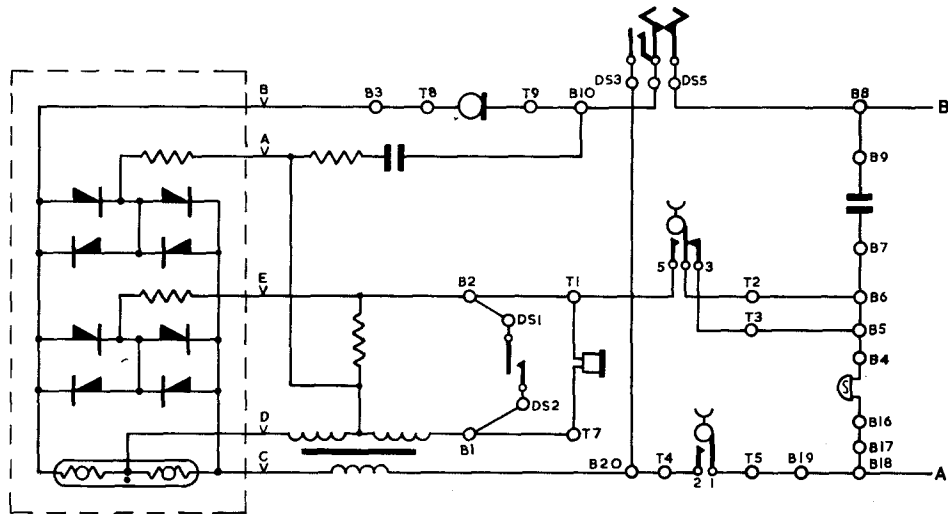


TO MAIN OF PLAN 107 DGM. N 4509

CONNEXIONS OF TELEPHONE No.713, BELL-SET No.48 AND MOUNTING DIAL-AUTO No.19.

FOR USE ON D.E.L. AND P.B.X. EXTENSION WITHOUT RECALL.

CIRCULATION	C.B. AUTO
	Suffix
Amendt.	
PAPER	W



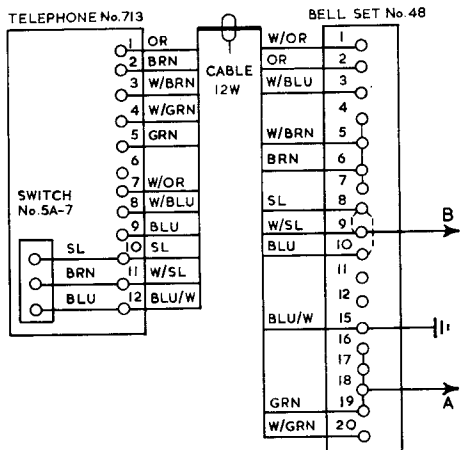
N 4699

4 PANELS-4

WIRING

SHOWING CONNEXION OF SWITCH 5A-7,
FOR USE ON 2W P.B.X. EXTENSION
WITH RECALL.

D.E.L. & R.B.X. EXTENSION WITHOUT RECALL.



DIAL IF REQUIRED CONNECTED
AS SHOWN FOR D.E.L.

