

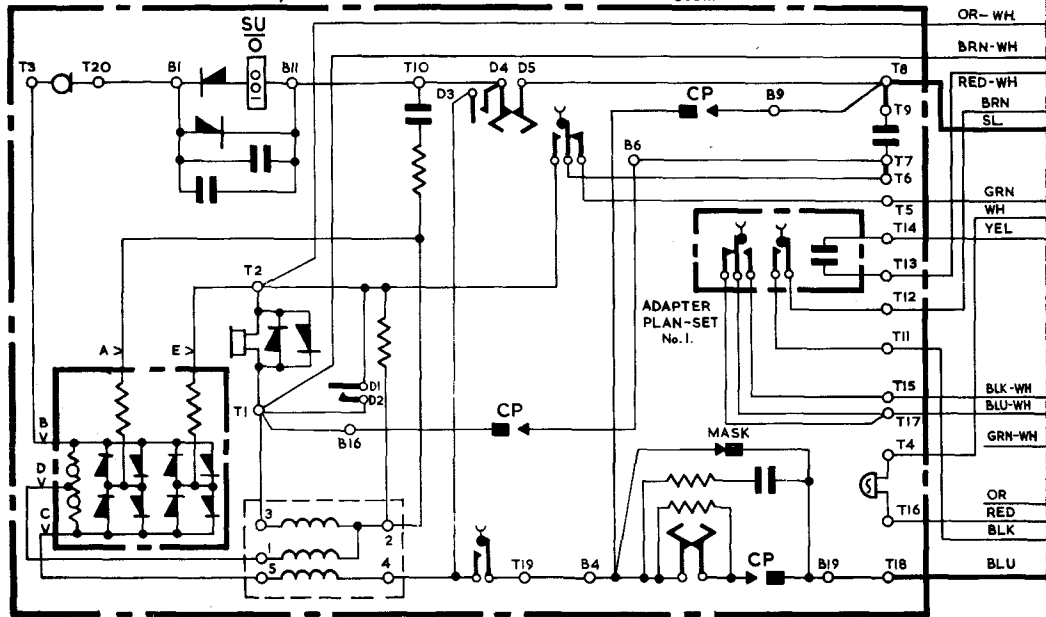


N 4669

9 PANELS-2

MAIN

BOX, COIN-COLLECTING No. 700 AND TELEPHONE No. 706L...



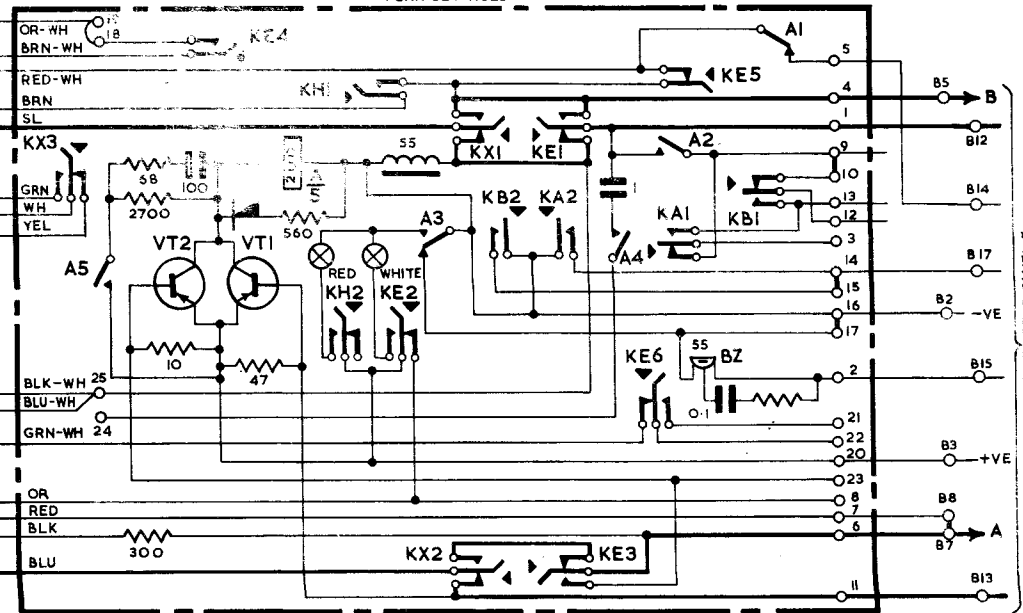
N 4669  
 9 PANELS-3  
 6-6-62.

KEY CONTACTS OPERATED FOR EACH CONDITION  
 SPK. TO EXTN.-NONE      SPK. TO EXTN. } -KH  
 SPK. TO EXCH.-KX      EXCH. HELD    } -KX  
 CALL EXTN. - KA OR KB    EXTN TO EXCH.-KE

MAIN WITH INTERNAL EXTENSION

PLAN SET N625

OPERATION  
 CB & AUTO  
 Amendt  
 PAPER  
 W



TO EXTN. TELE. PANEL 5

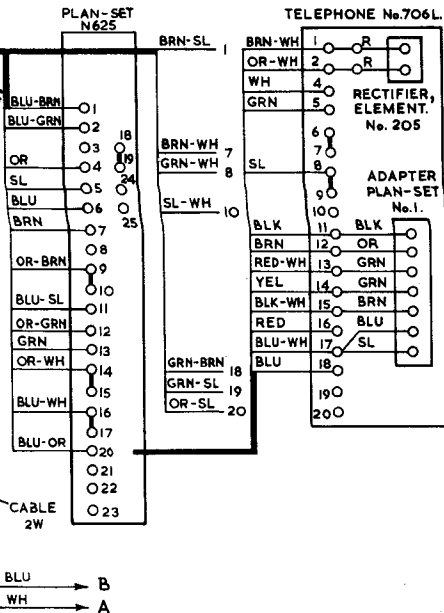
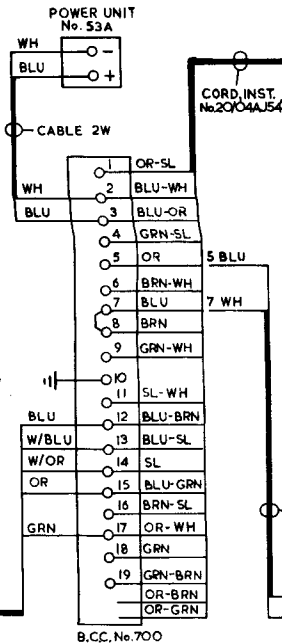
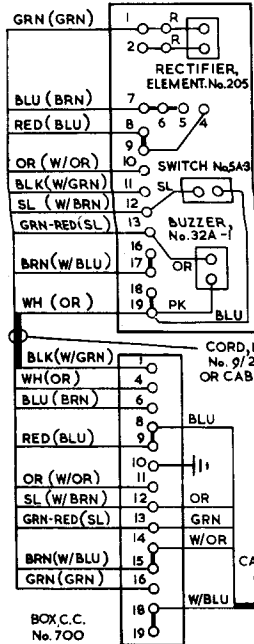
N4669  
9 PANELS-4

EXTN.

TELEPHONE  
No. 706... OR 1/706L...

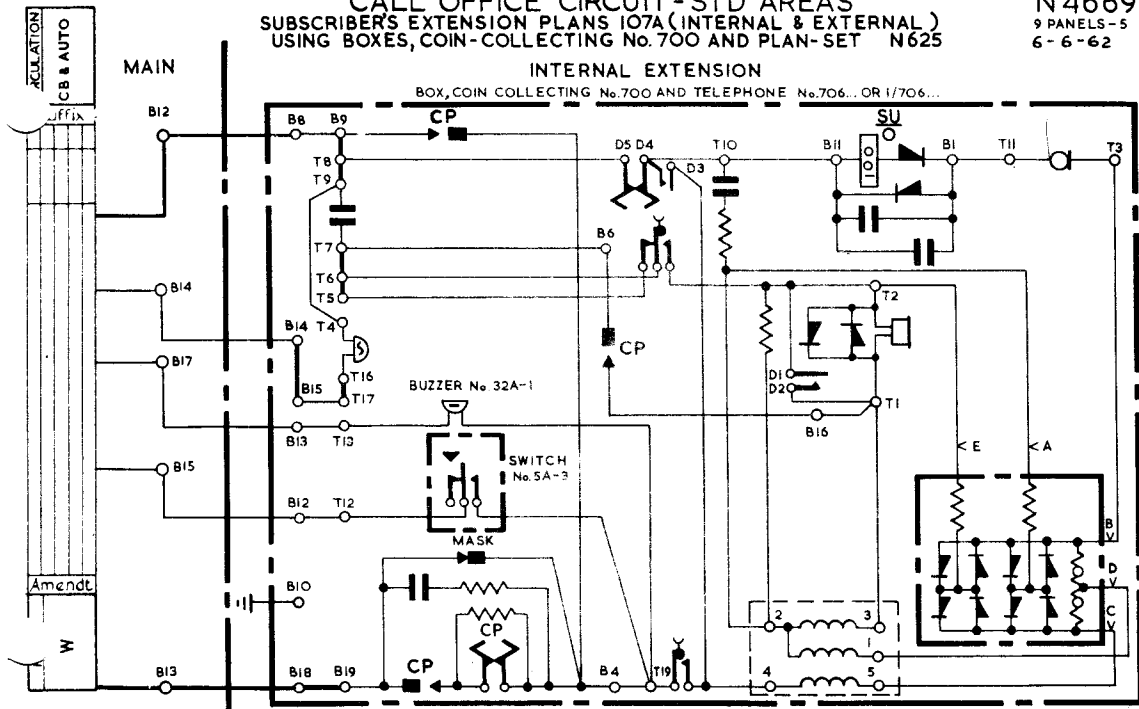
WIRING (INTERNAL)

MAIN



CALL OFFICE CIRCUIT - STD AREAS  
 SUBSCRIBER'S EXTENSION PLANS 107A (INTERNAL & EXTERNAL)  
 USING BOXES, COIN-COLLECTING No. 700 AND PLAN-SET N625

N4669  
 9 PANELS - 5  
 6-6-62



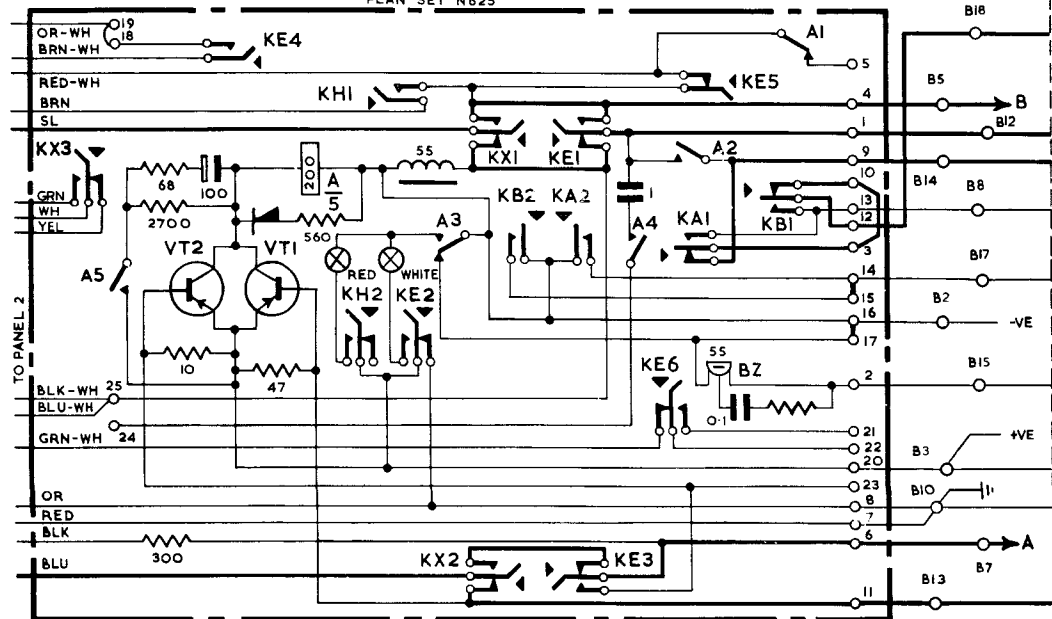
N 4669

9 PANELS-6

MAIN WITH EXTERNAL EXTENSION

KEY CONTACTS OPERATED FOR EACH CONDITION  
 SPK. TO EXTN.-NONE SPK. TO EXTN. } -KH  
 SPK. TO EXCH.-KX EXCH. HELD }  
 CALL EXTN.-KA OR KB EXTN. TO EXCH.-KE

PLAN SET N625

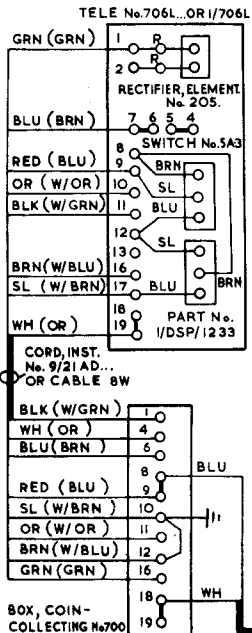




N 4669

9 PANELS-8

EXTENSION



WIRING (EXTERNAL)

MAIN

