

CALL OFFICE CIRCUIT - S.T.D. AREAS

EXTENSION PLAN 105A (INTERNAL ONLY) USING BOXES
COIN-COLLECTING NO. 700 & PLAN-SET N 625

N 4667

8 Panels-1
25-2-64.

NOTES

1. This diagram shows Plan 105A using Boxes Coin-Collecting at main and both extensions. When non-coin box stations are required see Notes 10 and 11.

2. APPARATUS REQUIRED

MAIN

Plan-Set N 625
 Telephone No. 706L
 Power Unit No. 53A (Note 6)
 Adapter, Plan-Set No. 1
 Part 1/DBU/199
 Box, Coin-Collecting No. 700
 Cord, Instrument No. 20/04AJ54"
 Parts 1/DBR/366 and 1/DST/836
 Rectifier-Element No. 205

EACH EXTENSION

Telephone No. 710L
 2 Switches No. 5A-4
 Part 24/DBU/260 (MAIN)
 Part 23/DBU/260 (EXTN.)
 Buzzer No. 32A-1
 Cord Instrument No. 20/04AJ54" (EXTN. 1)
 " " No. 12/15AD... (EXTN. 2)
 Box, Coin-Collecting No. 700
 Rectifier-Element No. 205

3. MAIN

Recover Cord, Inst. No. 3/108AA and Block, Terminal No. 30 from Telephone No. 706L. Remove the four rubber feet and the one large and three small knockouts from the base. Recover Cord, Inst. No. 18/04AJ from the Plan-Set.

N 4667

8 Panels-2

- Fit Cord, Inst. No. 20/04AJ passing the 7 extended conductors through the slot with the 15 way cord of the Plan-Set. Feed these two cords through the large knockout and fix the base of the telephone to the Plan-set by means of the three screws provided. The three large washers should be fitted between the base of the telephone and the plan-set.
4. Fit the Adapter, Plan-Set No. 1 into the telephone. Fit Part 1/DST/836 by means of Part 1/DBR/366 to the right hand gravity switch bracket, using the two lower holes. Transfer the WHITE conductor of the handset cord from T10 to T20, one of these extra terminals. Rearrange the straps on telephone and plan-set and connect the two cords as shown, all spare leads should be insulated.
 5. An extension bell may be fitted in place of strap between terminals 7-8 in B.C.C. No. 700.
 6. The Power Unit No. 53A should be fitted in a position adjacent to a 3 pin mains socket. 8 Cells, Dry R40 and 1 Box, Battery No. 10 may be provided if it is impossible to use a mains supply.
 7. **EXTENSION**
Fit Switches, No. 5A-4 into positions A and D of the Telephone No. 710. Fit Part, 24/DBU/260 into position A and Part 23/DBU/260 into position D, the latches of A and D should be at setting 3 and those of X and Y at setting 5 (See N 848). Fit Buzzer No. 32A-1 on top of right hand bell gong using the existing fixing screw. Transfer WHITE conductor of handset cord from T10 to T11. Rearrange straps. Fit appropriate

CIRCULATION
CB & AUTO

cord instrument, insulate all spare leads at both ends. Connect as shown.

8. Extension 2 must be wired from extension 1.
9. An extension bell may be connected at either extension in place of strap between terminals 2-5 in B.C.C. No. 700.
10. If a coin-box is provided at one extension only, that extension must be extension 1, and extension 2 should be connected as shown on panel 7 using the apparatus shown on that panel. Strap terminals 3-4 in B.C.C. No. 700 at extension 1. Cable 8W should be used between extensions for this arrangement.

PAPER
W

N 4667

8 Panels-3
25-2-64.

II. STATIONS WITHOUT BOXES, COIN-COLLECTING NO. 700

If coin box facilities are required at one station only, at the non coin-box stations provide the following apparatus in lieu of Telephone No. 706L or 710L and Box, Coin-Collecting No. 700

Telephone No. 706CB or 710CB
Dial, Auto No. 28LA
Label, No. 355
Part, 1/DSP/504

Recover the Dummy Dial from the C.B. Telephone. Fit Dial, Auto No. 28LA, Label No. 355 and Part 1/DSP/504. Remove strap between dial terminals D1 and D3 and fit strap between D4 and D7. Connect to the telephone as shown on Panel 7.

N 4667

8 Panels-4

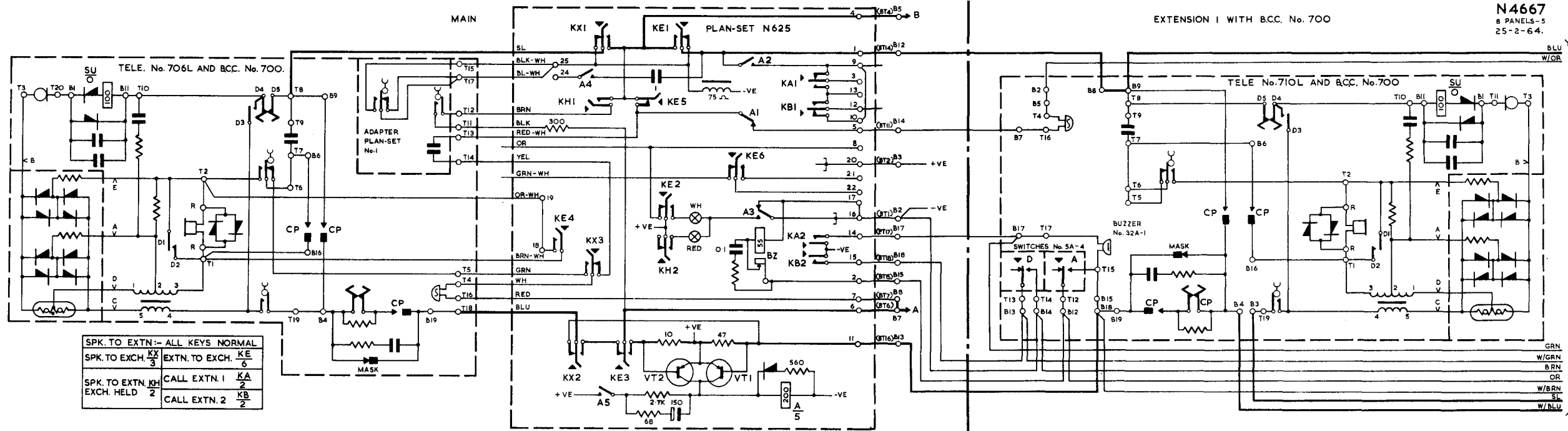
These non coin-box stations, main or extension, should be connected as shown on dgm. N 4507, see Note 10.

12. Rectifier-Elements No. 205 should be connected across the receiver insets of telephones at coin-box stations.
13. Block terminal numbers in brackets on Panel 5 correspond to the block terminal numbers shown on Panel 3 of dgm. N 4507.

CIRCULATION
SUFFIX
AMENDT.
PAPER

C.B. & AUTO.

W



SPK. TO EXTN. :- ALL KEYS NORMAL	
SPK. TO EXCH. $\frac{KX}{3}$	EXTN. TO EXCH. $\frac{KE}{6}$
SPK. TO EXTN. $\frac{KH}{2}$	CALL EXTN. 1 $\frac{KA}{2}$
EXCH. HELD $\frac{2}{2}$	CALL EXTN. 2 $\frac{KB}{2}$

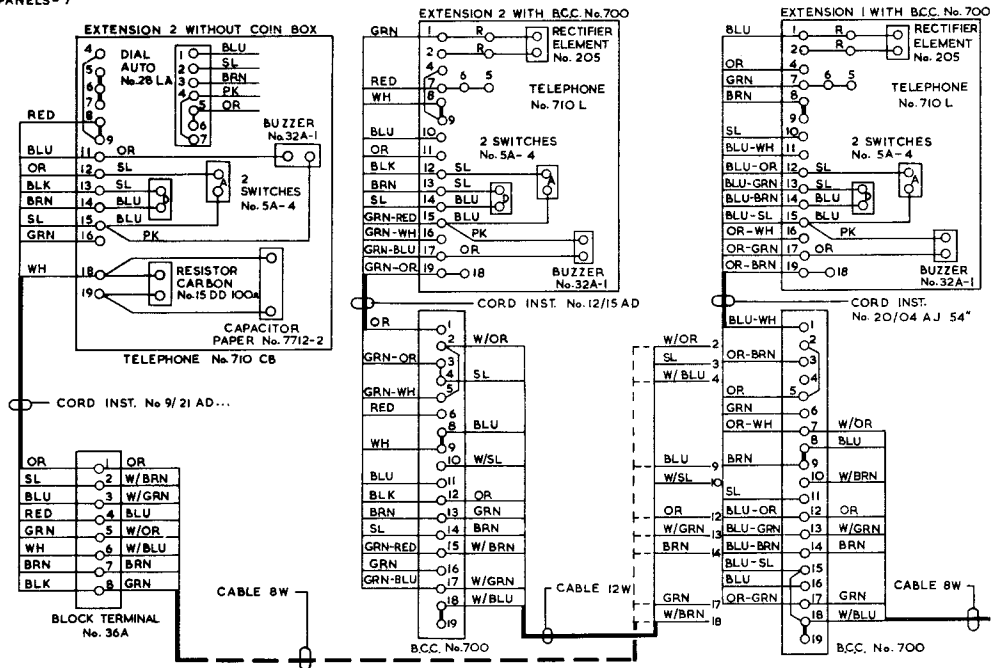
N4667
8 PANELS-5
25-2-64.

TO EXTN. 2 PANEL 6

N4667

8 PANELS - 7

WIRING EXTENSIONS



WIRING MAIN

CIRCULATION	CB. & AUTO.
AMENDT.	
PAPER	W

