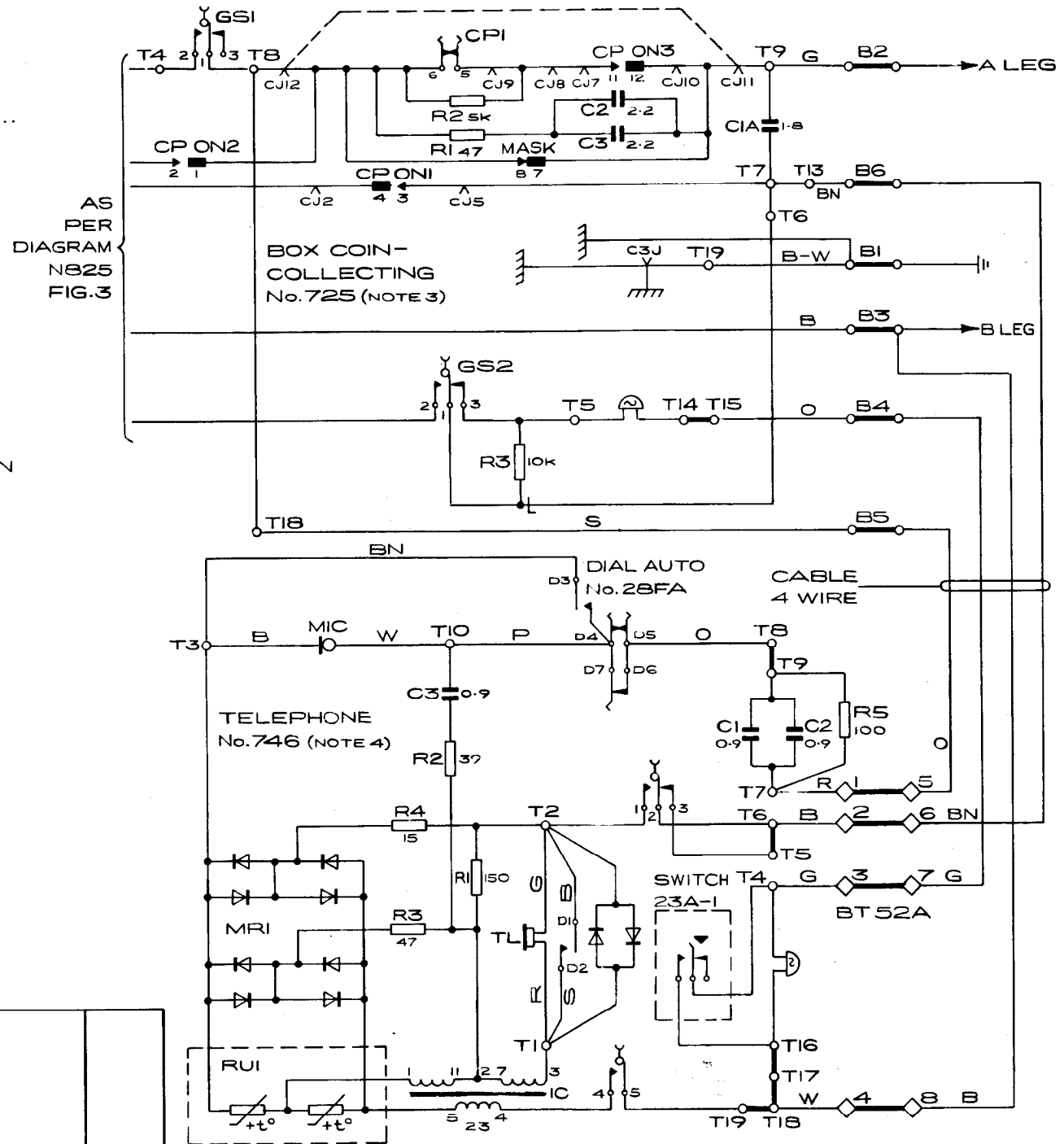


CALL OFFICE CIRCUIT. RENTERS EXTENSION PLAN IA
 USING BOXES, COIN-COLLECTING No.725 WITH TELEPHONE No.746

N4663

NOTES:-

- 1 THE DIAGRAM SHOWS A PLAN IA USING BOXES, COIN-COLLECTING No.725... AND TELEPHONES No.746.
- 2 APPARATUS REQUIRED:
 TELEPHONE No.746
 BOX, COIN-COLLECTING No.725...
 DIAL, AUTOMATIC No.28FA
 RESISTOR, CARBON No.15DD 100.Ω
 SWITCH 23A-1
 PART 2/DBU/362
- 3 MODIFY THE BOX, COIN-COLLECTING No.725... AS SHOWN
 REMOVE STRAP B3-B4
 PROVIDE STRAP T8-T18
 PROVIDE STRAP T7-T13
- 4 MODIFY THE TELEPHONE 746 AS SHOWN
 REMOVE STRAP T4-T5
 REMOVE STRAP T6-T7
 PROVIDE STRAP T17-T18
 PROVIDE DIAL, AUTOMATIC No.28FA
 PROVIDE RESISTOR R5 (RESISTOR, CARBON No.15DD 100.Ω)
 PROVIDE SWITCH 23A-1
 PROVIDE PART 2/DBU/362
- 5 DIAGRAMS N825, N887 AND N846 REFER.



PO TELECOMMS HQRS			
PAPER:- W	ISSUE		
DISTRIBUTION:- CB & AUTO	IFJ	ME/PDI-2.3	5-3-81