

CALL OFFICE CIRCUIT - S.T.D. AREAS

SUBSCRIBER'S EXTENSION PLAN IA

USING BOXES, COIN-COLLECTING No.700 AND TELEPHONES No.706...OR 1/706...

N 4662

8 PANELS - 1
15.1.62

CIRCULATION	CB & AUTO
	Suffix
	B.8.62 A
PANELS 266 TELE. 706 B.C.C. RESISTOR WAS CONNECTED TO T1 & T18 T18 & T19 NOW CONNECTED TO T7 AND T8	
Amend	
PAPER	W

NOTES

1. THE DIAGRAM SHOWS PLAN IA USING BOXES, COIN-COLLECTING No.700 AND TELEPHONES No.706... OR 1/706... NO MORE THAN TWO BOXES, COIN-COLLECTING MAY BE FITTED.
 - a. USING ONE BOX, COIN-COLLECTING No.700 AND ONE TO FIVE EXTENSIONS CONNECT AS SHOWN ON PANELS 6 AND 8.
 - b. USING ONLY TWO BOXES, COIN-COLLECTING No.700 CONNECT AS SHOWN ON PANEL 7. IN THE SECOND BOX, COIN-COLLECTING No.700. FIT STRAP B17-B18.
 - c. USING TWO BOXES, COIN-COLLECTING No.700 AND ONE TO FOUR EXTENSIONS CONNECT AS SHOWN ON PANELS 6 AND 7. FIT 4 WIRE CABLE TO SECOND BOX, COIN-COLLECTING No.700 AND OMIT STRAP B17-B18. PART 1/DSP/1252 WILL NOT BE REQUIRED UNDER THESE CONDITIONS, STRAP T16 AND T17.
2. **APPARATUS REQUIRED.**

STATION WITH COIN-BOX :-

 - BOX, COIN-COLLECTING No. 700
 - TELEPHONE No. 706L...OR 1/706L
 - SWITCH No. 5A-3
 - PART 1/DBU/264
 - RECTIFIER ELEMENT No. 205
 - CORD, INSTRUMENT No. 9/21AD...
 - PART 1/DSP/1252 (SECOND B.C.C. No.700 ONLY)

STATION WITHOUT COIN - BOX :-

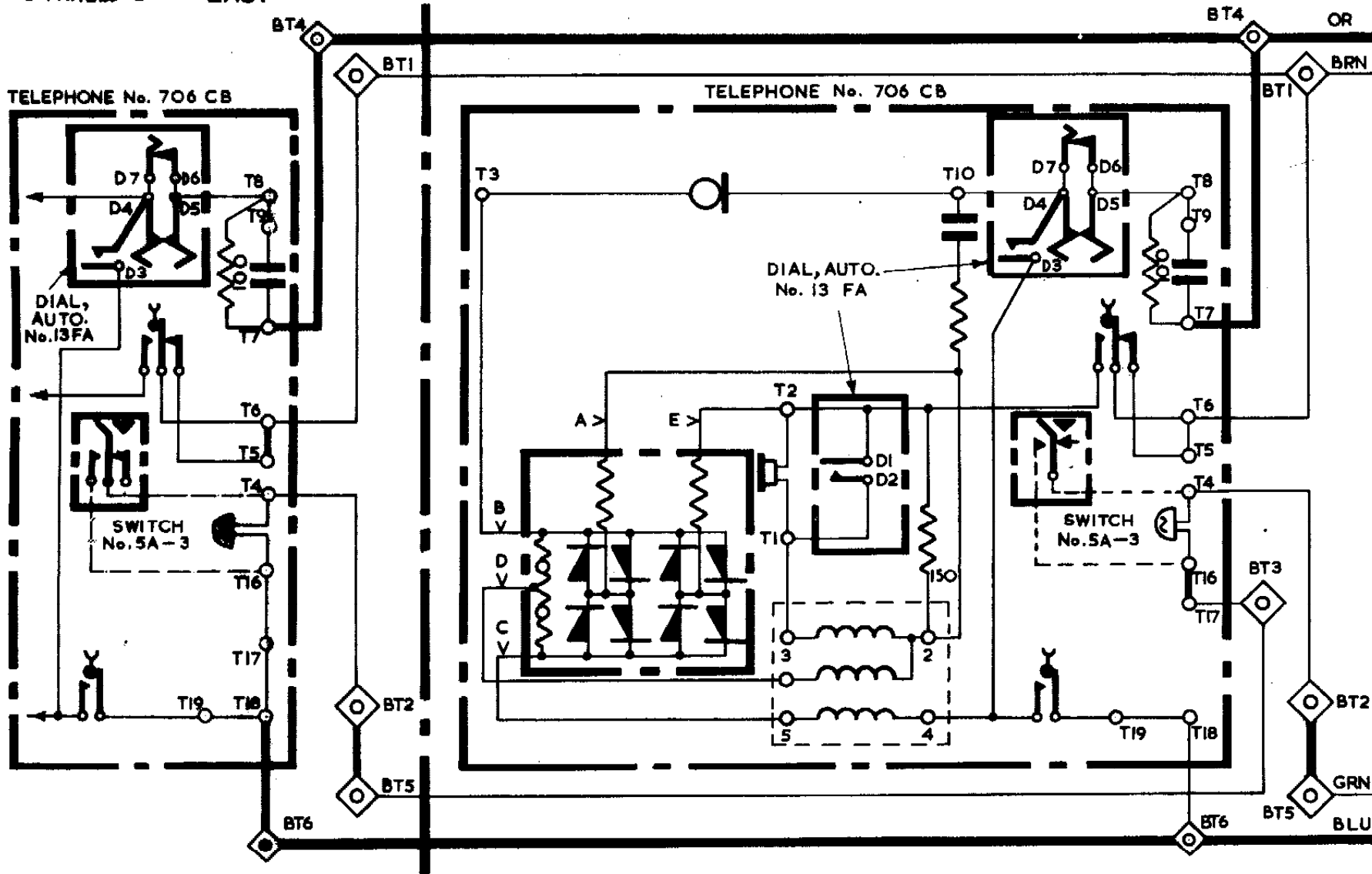
 - TELEPHONE No. 706 CB
 - DIAL, AUTO. No. 13FA
 - LABEL No. 355
 - PART 1/DSP/504
 - RESISTOR, CARBON No. 15DD. 100 Ω
 - SWITCH No. 5A-3
 - PART 1/DBU/264
 - CORD, INSTRUMENT No. 5/37AA... ON INTER. EXTN.
 - CORD, INSTRUMENT No. 4/83AA... ON LAST EXTN.
3. THE EXCHANGE LINE MUST ALWAYS BE CONNECTED DIRECTLY TO A BOX, COIN-COLLECTING No.700 AS SHOWN ON PANELS 7 & 8 THENCE TO A SECOND BOX, COIN-COLLECTING No.700 IF PROVIDED AND THEN TO THE NON COIN-BOX EXTENSIONS.
4. IN TELEPHONES ASSOCIATED WITH BOXES, COIN-COLLECTING No.700 TRANSFER WHITE CONDUCTOR OF HANDSET CORD FROM T10 TO T11.
5. CONNECT SWITCHES 5A-3 AND PART 1/DBU/264 AT ALL STATIONS EXCEPT ONE, WHICH NEED NOT BE THE FIRST STATION CONNECTED TO THE EXCHANGE LINE.
6. AT STATIONS WITHOUT BOXES, COIN-COLLECTING No. 700 RECOVER THE DUMMY DIAL FROM TELEPHONES No.706CB AND FIT DIAL, AUTO. No.13FA, LABEL No.355 AND PART 1/DSP/504 REMOVE STRAP BETWEEN DIAL TERMINALS D1 AND D3 AND FIT STRAP BETWEEN D4 AND D7. RECOVER CORD, INSTRUMENT No.3/108AA AND FIT APPROPRIATE CORD.
7. WHEN AN EXTENSION BELL IS REQUIRED CONNECT IN PLACE OF STRAP BT2-BT5 ON BLOCK, TERMINAL No.30, OR IN PLACE OF STRAP B15-B17 ON BOX, COIN-COLLECTING No.700
8. BOXES, COIN-COLLECTING No.700 SHOULD BE EARTHED AT TERMINAL B10.
9. COLOURS IN BRACKETS ON PANEL 7 & 8 REFER TO CABLE CONDUCTORS USED WHEN A TELEPHONE No.1/706... IS FITTED.

N4662

8 PANELS-2

LAST

EXPLANATORY FOR TELEPHONE No. 706 CB
INTERMEDIATE

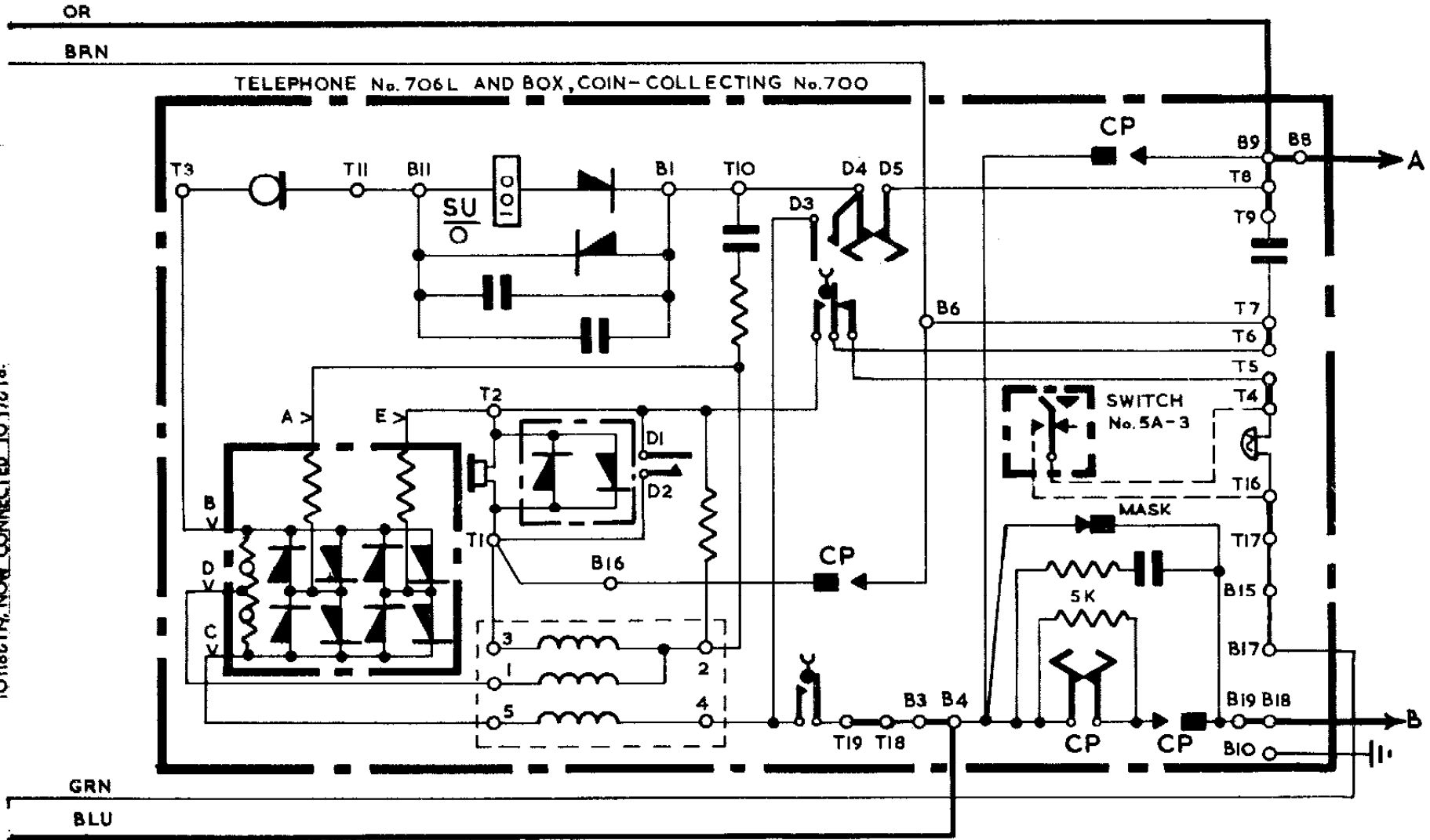


USING ONE BOX, COIN-COLLECTING No.700.

N 4662
8 PANELS -3
15-1-62

CB. & AUTO.

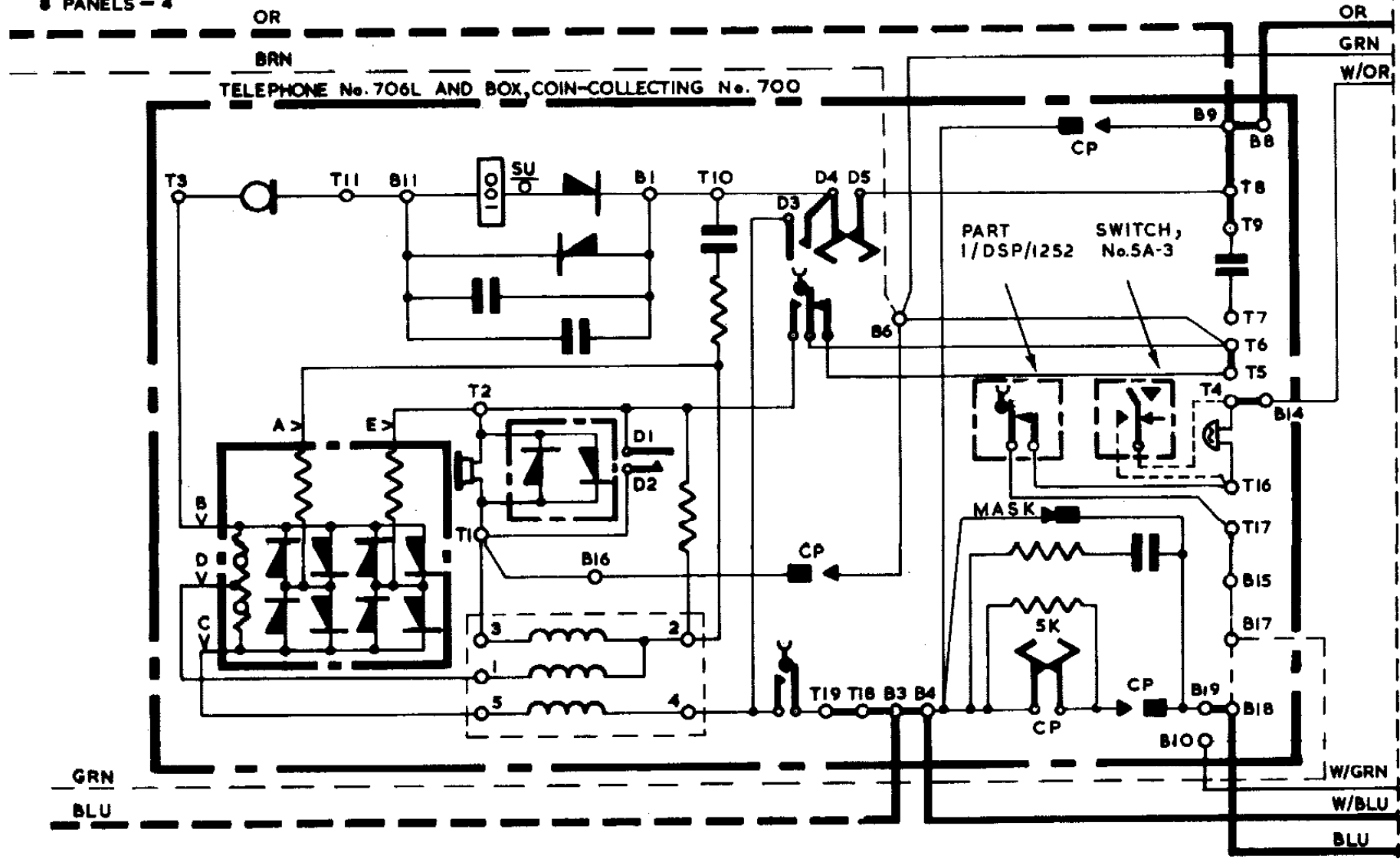
PANELS 266 TELE. 706C100Q RESISTOR WAS CONNECTED TO T18 & T19, NOW CONNECTED TO T7 & T8.



N 4662

8 PANELS - 4

USING TWO BOXES, COIN-COLLECTING No. 700
SECOND



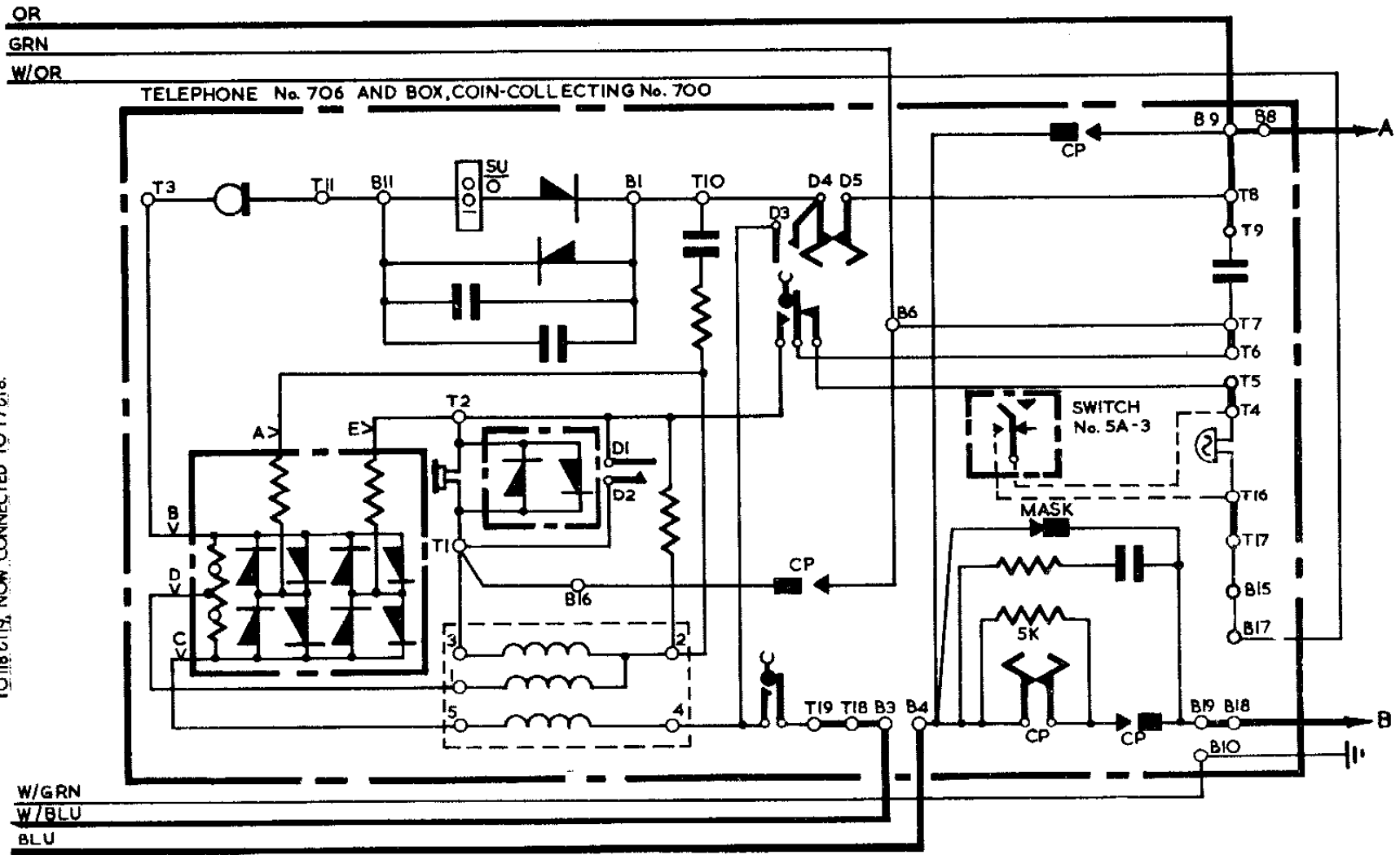
USING TWO BOXES, COIN-COLLECTING No.700
FIRST

N4662
8 PANELS-5
15-1-62.

OR
GRN
W/OR

PANELS 266, TELE. 706, CB, 100Ω RESISTOR WAS CONNECTED TO T7 & T8.
TO T18 & T19, NOW CONNECTED TO T7 & T8.

W
W/GRN
W/BLU
BLU



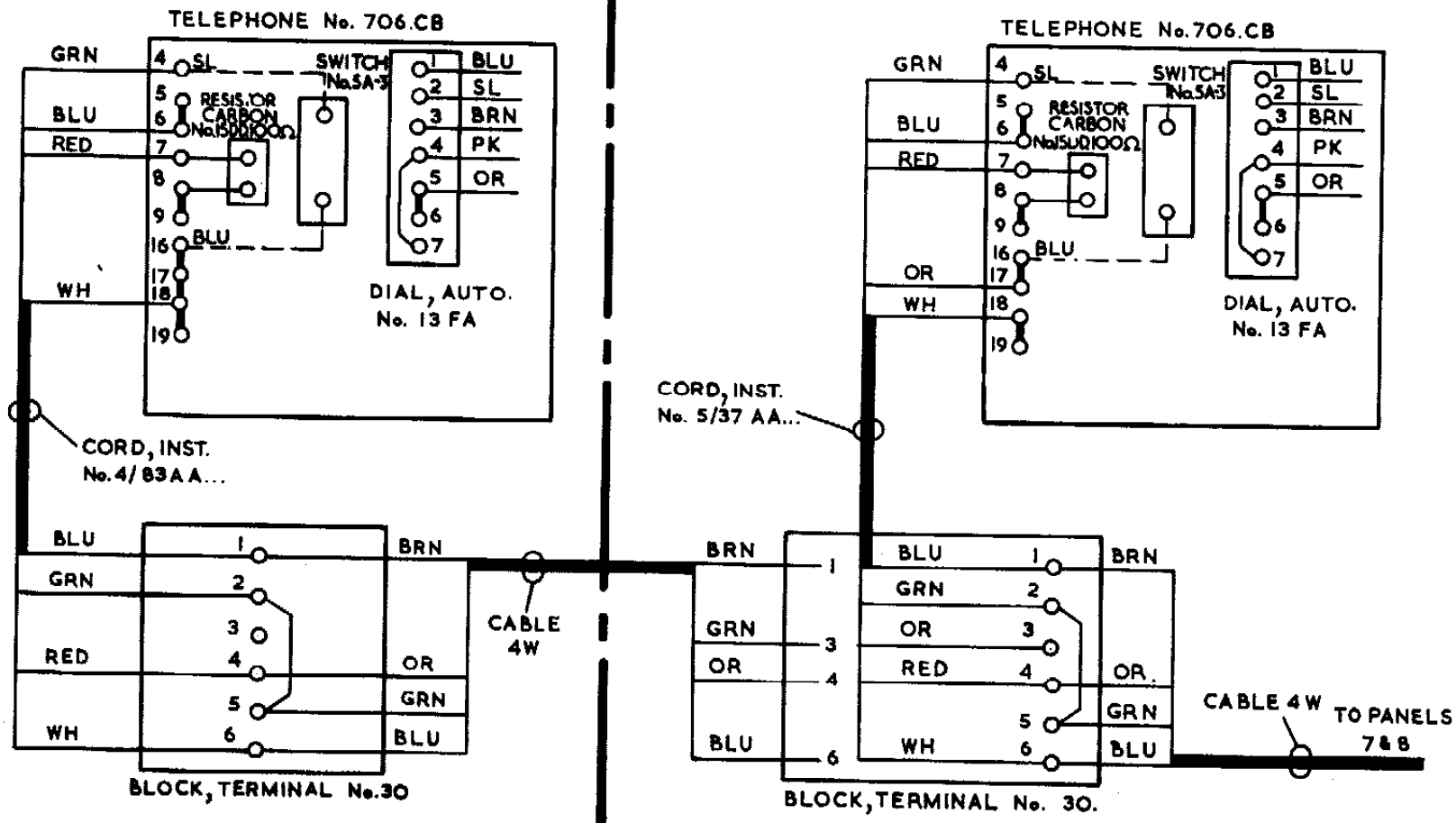
N 4662

6 PANELS-6

WIRING OF TELEPHONES WITHOUT BOXES, COIN-COLLECTING

LAST

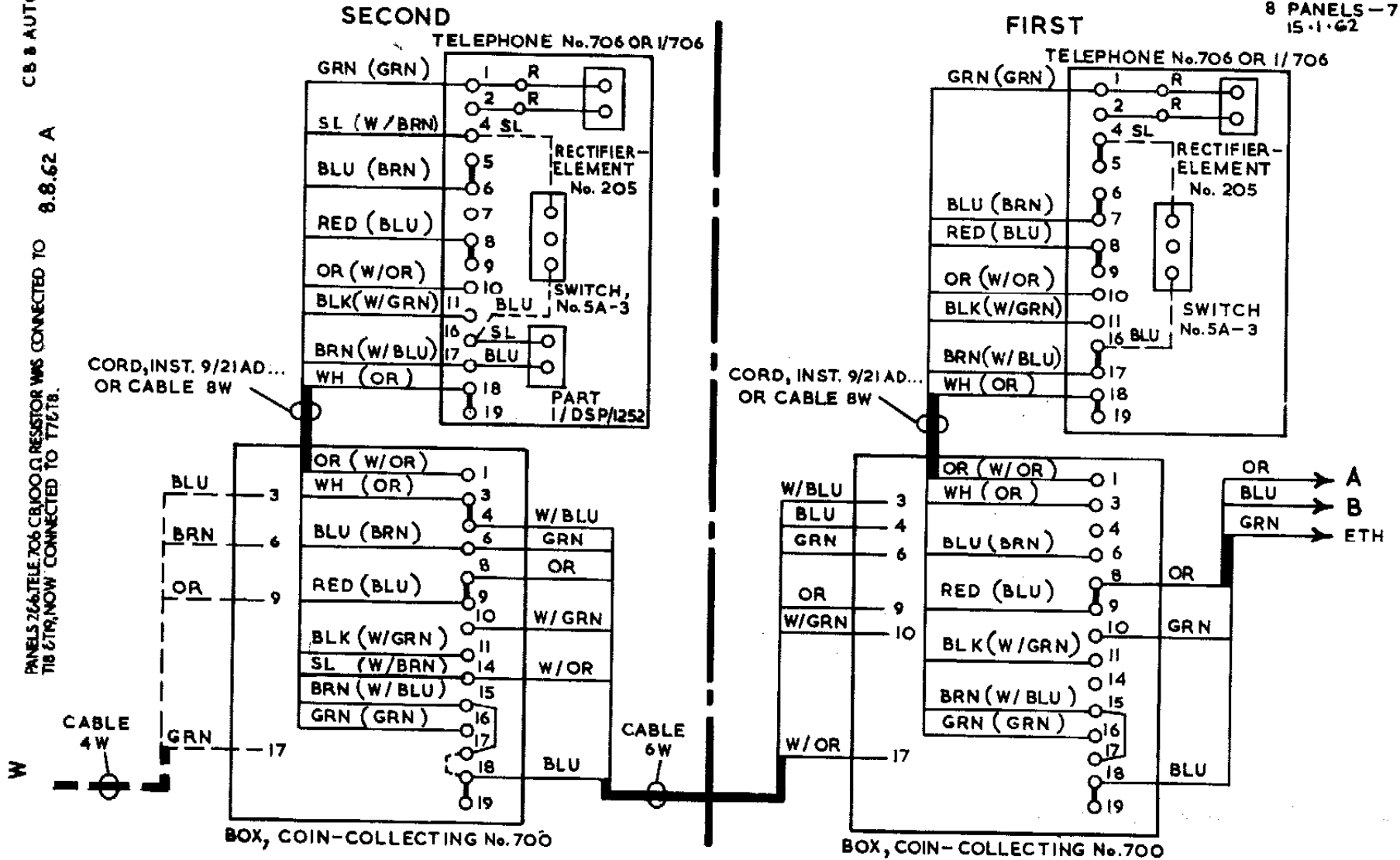
INTERMEDIATE



USING TWO BOXES, COIN-COLLECTING No. 700.

N 4662
8 PANELS-7
15-1-62

CB & AUTO
PANELS 26& TELE. 706 CB 100.0 RESISTOR WAS CONNECTED TO T1B 2/19, NOW CONNECTED TO T17/18.



N4662
8 PANELS-8

USING ONE BOX, COIN-COLLECTING No. 700

