

**CALL OFFICE S.T.D AREAS
SUBSCRIBERS EXTENSION PLAN I
USING BOXES, COIN-COLLECTING No. 700.
AND 700 TYPE TELEPHONES**

**N4661
10 PANELS-I
20-3-62**

CIRCULATION CB & AUTO.	Suffix
	4. 10. 62 A
TELEPHONE No. 706 C, 1000 RESISTOR WAS CONNECTED TO TIBAND TR NOW TO 17 AND T8	Amend.
	W
PAPER	

NOTES

1. ONLY TWO BOXES, COIN-COLLECTING MAY BE FITTED
2. **APPARATUS REQUIRED :-**
MAIN WITH BOX, COIN-COLLECTING No. 700.

WITH ONE EXTENSION

BOX, COIN COLLECTING No. 700
TELEPHONE No. 706... OR 1/706...
SWITCH No. 5A-3,
PART 1/DBU/263
CORD INST. No. 9/21AD...
RECTIFIER-ELEMENT No. 205.

WITH TWO TO FOUR EXTENSIONS

BOX, COIN-COLLECTING No. 700.
TELEPHONE No. 710.
SWITCHES No. 5A-4. 2 TO 4 AS REQD.
PART 5/, 6/, 7/, 9/DBU/260 AS REQD.
CORD, INST. No. 9/21AD... (2 EXTNS.)
CORD INST No. 12/15AD... (3-4 EXTNS.)
PART 1/DST/836
RECTIFIER-ELEMENT No. 205.

EXTENSION WITH BOX, COIN-COLLECTING

BOX, COIN-COLLECTING No. 700
TELEPHONE No. 706... OR 1/706...
CORD, INST. 6/44AA... OR 9/21AD...
BELL No. 56A
RECTIFIER ELEMENT No. 205.
PART 1/DSP/1252

MAIN WITHOUT BOX, COIN-COLLECTING No. 700.

WITH ONE EXTENSION

TELEPHONE No. 706 CB
SWITCH No. 5A-3
PART 1/DBU/263
CORD, INST. No. 5/37AA...
DIAL, AUTO. No. 13FA. PART 1/DSP/504, LABEL No. 355
RESISTOR, CARBON No. 15DD 100a

WITH TWO TO FOUR EXTENSIONS

TELEPHONE No. 710 CB
SWITCHES No. 5A-4 AS REQUIRED
PART 5/, 6/, 7/, 9/DBU/260 AS REQUIRED.
CORD, INST. No. 6/44AA... (2 EXTNS.)
CORD, INST. No. 9/21AD... (3-4 EXTNS.)
BLOCK, TERMINAL. No. 20/B
DIAL, AUTO. No. 13 FA. PART 1/DSP/504, LABEL No. 355
RESISTOR, CARBON No. 15DD 100a
PART 1/DST/836

EXTENSION WITHOUT BOX, COIN-COLLECTING No. 700.

TELEPHONE No. 706 CB
DIAL, AUTO. No. 13 FA. PART 1/DSP/504, LABEL No. 355
RESISTOR, CARBON No. 15DD 100a
BLOCK TERMINAL No. 20/B
BELL No. 56A

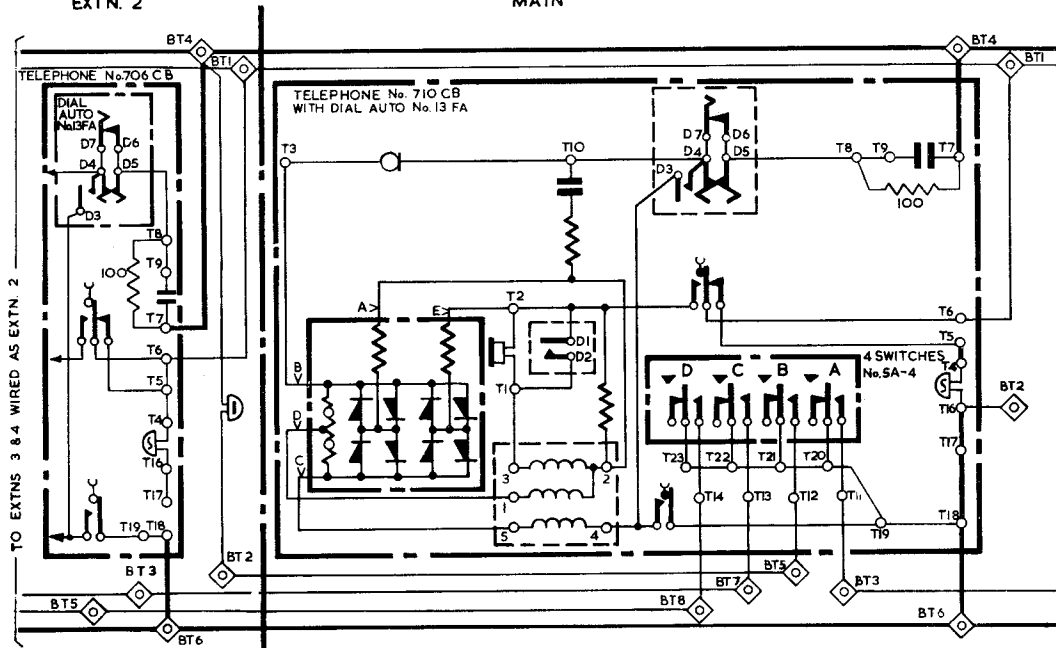
**NOTES CONTINUED ON
PANEL 10**

N4661

10 PANELS-2

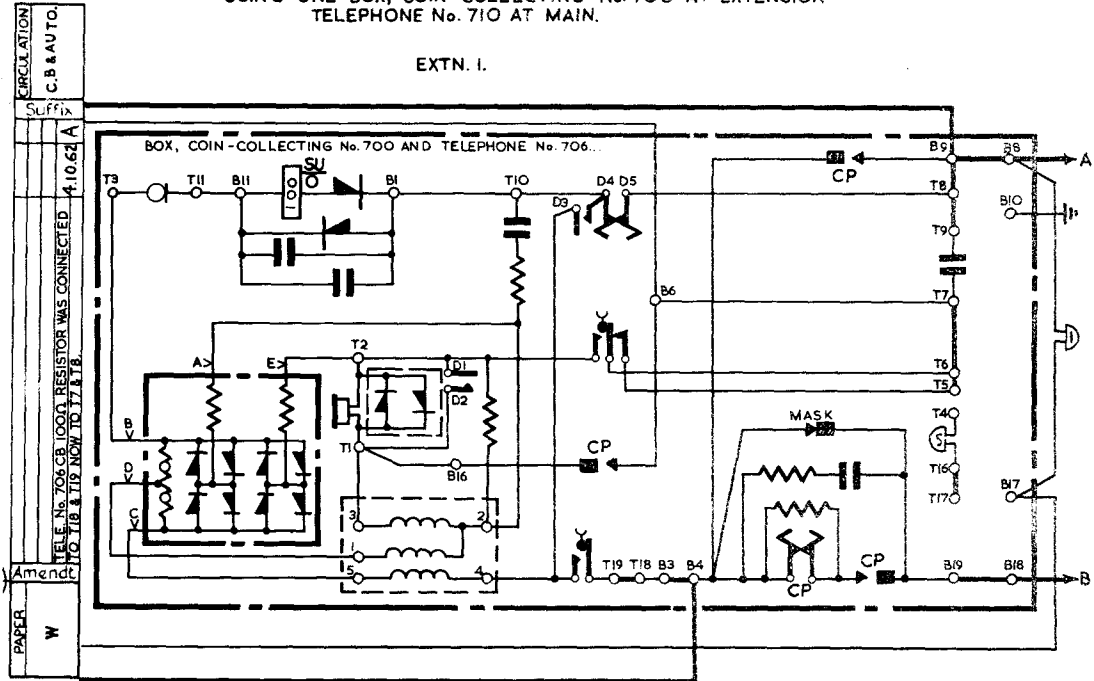
EXTN. 2

MAIN



USING ONE BOX, COIN-COLLECTING No. 700 AT EXTENSION
TELEPHONE No. 710 AT MAIN.

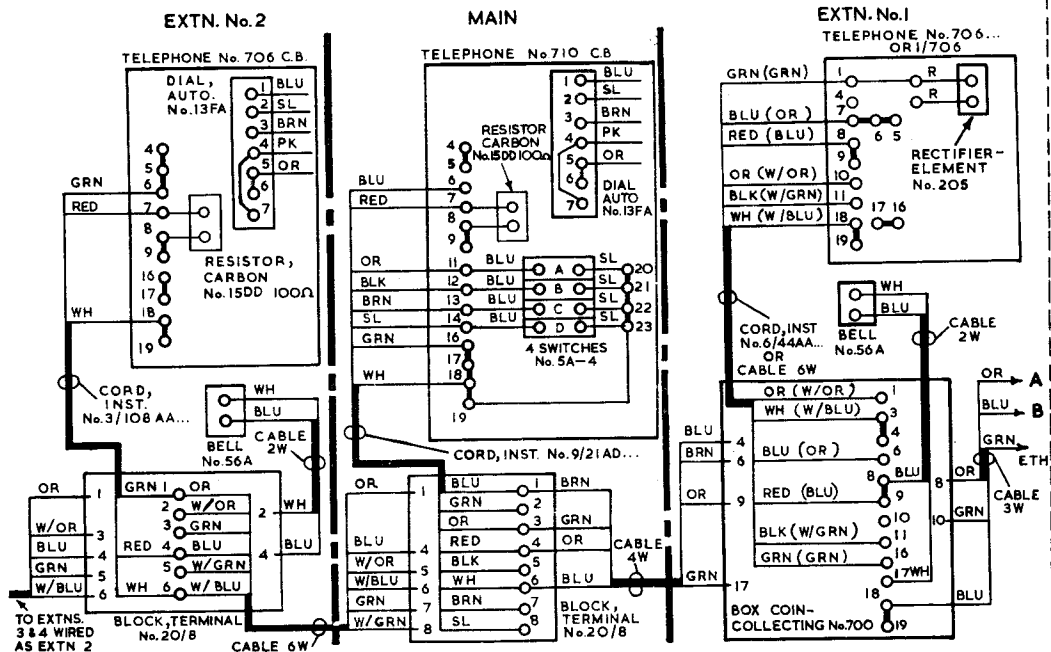
EXTN. I.



N4661

10 PANELS-4

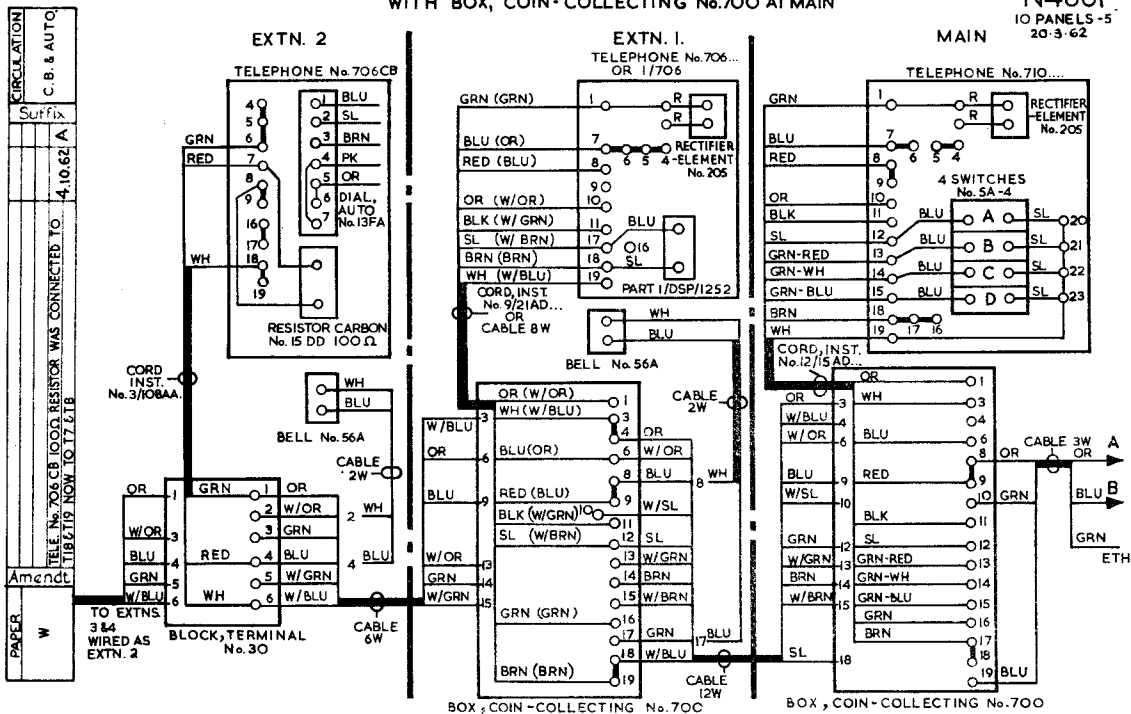
USING ONE BOX, COIN-COLLECTING AT EXTENSION TELEPHONE No. 710 AT MAIN



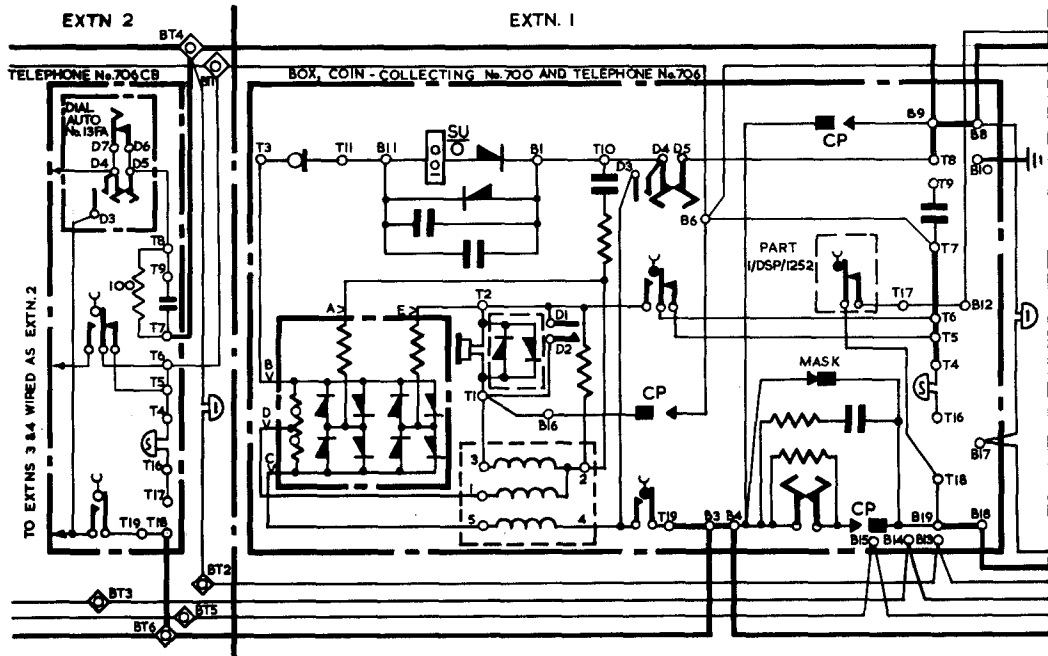
USING TWO BOXES, COIN-COLLECTING No.700
WITH BOX, COIN-COLLECTING No.700 AT MAIN

N4661

10 PANELS -5
20-3-62

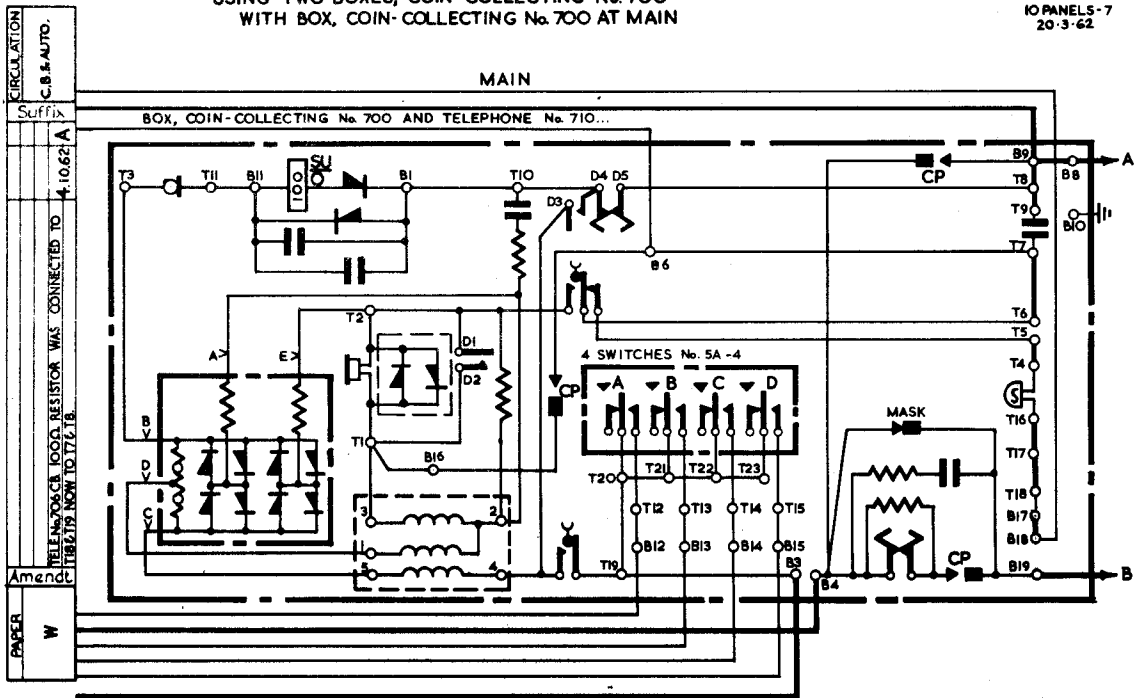


N4661
IO PANELS - 6



USING TWO BOXES, COIN-COLLECTING No. 700
WITH BOX, COIN-COLLECTING No. 700 AT MAIN

N4661
10 PANELS-7
20-3-62

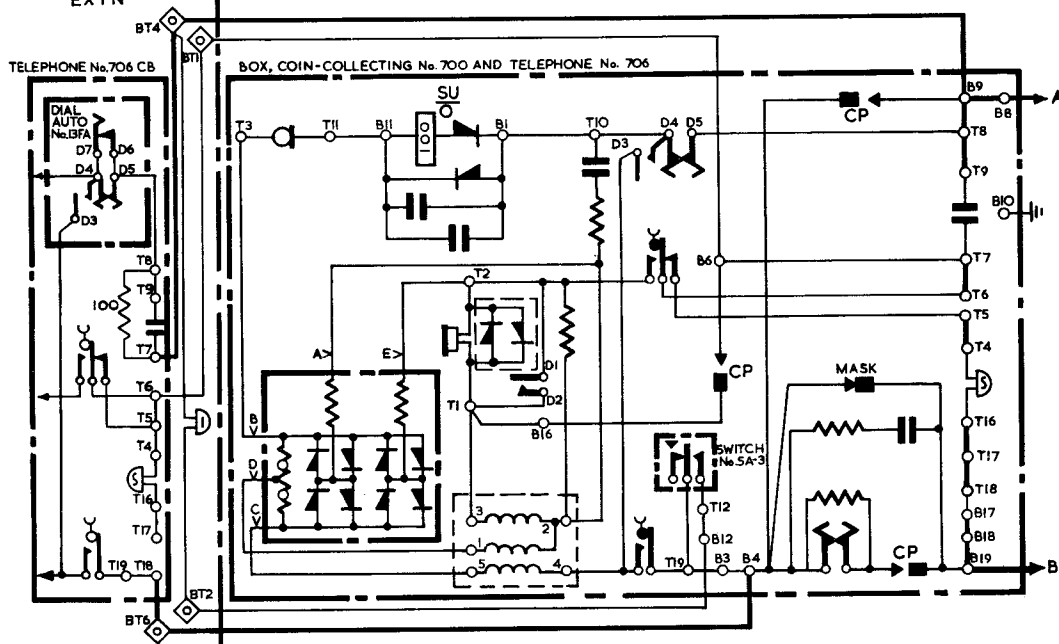


N4661

10 PANELS 8

EXTN

BOX, COIN-COLLECTING No. 700 AT MAIN WITH ONE EXTN. MAIN



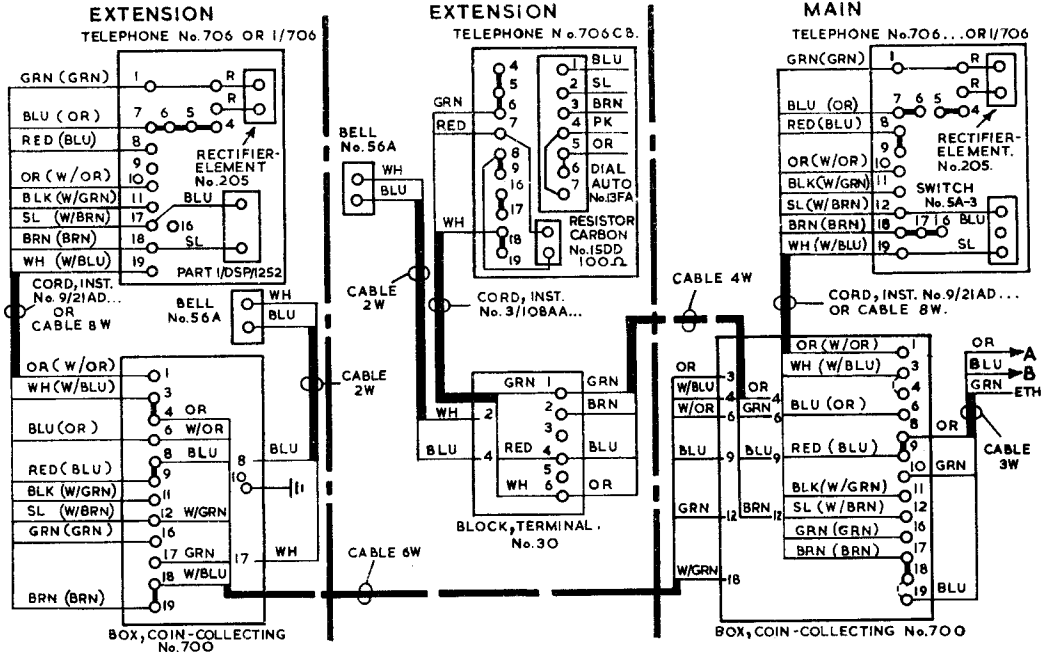
BOX, COIN COLLECTING No.700 AT MAIN WITH ONE EXTENSION
WITH OR WITHOUT BOX, COIN COLLECTING No.700.

N4661

10. PANELS-9
20.3.62

CIRCULATION	Suffix
	4. 10. 62. A
PAPER	W
	Amendt.

TELE. No.706 CB 1000 RESISTOR WAS CONNECTED TO B1B TRINOW 4. 10. 62. A TO 17.7.18.



N4661

10 PANELS-10

NOTES CONTINUED

3. THE EXCHANGE LINE MUST ALWAYS BE CONNECTED DIRECTLY TO A BOX, COIN-COLLECTING No.700 THENCE TO A SECOND BOX, COIN-COLLECTING, IF PROVIDED, AND THENCE TO NON COIN-BOX STATIONS.
4. IN TELEPHONES ASSOCIATED WITH BOX, COIN-COLLECTING No.700 TRANSFER WHITE CONDUCTOR OF HAND-SET CORD FROM T10 TO T11 AND CONNECT RECTIFIER ELEMENT No.205 TO RECEIVER TERMINALS IN HANDSET.
5. AT STATIONS WITHOUT BOX, COIN-COLLECTING No.700 RECOVER THE DUMMY DIAL FROM C.B. TELEPHONE AND FIT DIAL, AUTO. No.13FA, LABEL No.355 AND PART 1/DSP/504. REMOVE STRAP BETWEEN DIAL TERMINALS D1 & D3 AND FIT STRAP BETWEEN D4 AND D7.
6. WHEN AN EXTENSION BELL IS REQUIRED CONNECT AT MAIN, IN BOX, COIN-COLLECTING No.700 BY REMOVING STRAP BETWEEN B17 & B18 AND CONNECTING BELL TO THESE TERMINALS, IN TELEPHONE No.710 OR 706 BY REMOVING STRAP BETWEEN T16 & T17 AND CONNECTING BELL TO BT2 AND BT6.
7. LATCHES A-D OF TELEPHONES No.710 SHOULD BE AT SETTING 3. X & Y LATCHES SHOULD BE AT SETTING 5. (SEE N848 PANEL 4)
8. BOXES, COIN-COLLECTING No.700 SHOULD BE EARTHED AT TERMINAL B10.
9. COLOURS IN BRACKETS ON WIRING PANELS REFER TO CABLES WHEN USING TELEPHONES No.1/706
10. WHEN TWO BOXES, COIN-COLLECTING No.700 ARE FITTED, OMIT STRAP B3-B4 AND B18-B19 IN FIRST BOX-COIN COLLECTING No.700. FIT PART 1/DSP/1252 IN SECOND BOX COIN COLLECTING No.700 AND CONNECT AS SHOWN ON PANEL 5 OR 9.