

# C.B. & AUTOMATIC SYSTEMS

## SUBSCRIBER'S EXTENSION PLAN 12A ON P.M.B.X.'s WITH 'C' WIRE SIGNALLING USING TELEPHONES No.710...(INTERNAL ONLY)

### NOTES

1. THE FACILITIES OF PLAN 12A ARE SHOWN ON DGM.N1438.

2. **APPARATUS REQUIRED:**

#### MAIN

TELEPHONE No.710...

PART 1/DSP/1243

3 SWITCHES 5A-4

PART 1/DSP/1242

PART 1/DST/836

BELL No.56A

PART 3/DBU/262

PART 3/DBU/260

PART 8/DBU/260

PART 13/DBU/260

BLOCK, TERMINAL No.31A

CORD, INSTRUMENT, No.12/15AD...

RECTIFIER-ELEMENT No.205

#### EXTENSION

TELEPHONE No.710...

PART 1/DSP/1242

2 SWITCHES 5A-4

PART 4/DBU/260

PART 8/DBU/260

PART 1/DST/836

BELL No.56A

3 CELLS, DRY R40

BLOCK, TERMINAL No.31A

CORD, INSTRUMENT, No.12/15AD...

RECTIFIER-ELEMENT No.205

3. REARRANGE STRAPS ON TELEPHONES AND BLOCKS, TERMINAL AS SHOWN AND FIT PARTS 1/DST/836 & PARTS 1/DSP/1242. RECTIFIER-ELEMENT No.205 TO BE CONNECTED ACROSS RECEIVER INSET IN HANDSETS.

4. AT MAIN FIT PART 1/DSP/1243 WITH PART 13/DBU/260 IN POSITION B; FIT SWITCHES No.5A-4 IN POSITIONS A, C & D WITH PART 3/DBU/262 IN POSITION A, PART 3/DBU/260 IN POSITION C AND PART 8/DBU/260 IN POSITION D. ADJUST LATCHES:- A&D TO POSITION 3, B TO POSITION 1, AND C TO POSITION 2. X&Y LATCHES SHOULD BE AT SETTING 4 (SEE DGM.N848 PNL 4).

5. AT EXTENSION FIT SWITCH No.5A-4 WITH PART 4/DBU/260 IN POSITION 'A' AND SWITCH No.5A-4 WITH PART 8/DBU/260 IN POSITION 'D' ADJUST LATCHES OF 'A' & 'D' TO POSITION 2.

6. BELL 56A COILS TO BE CONNECTED IN PARALLEL.

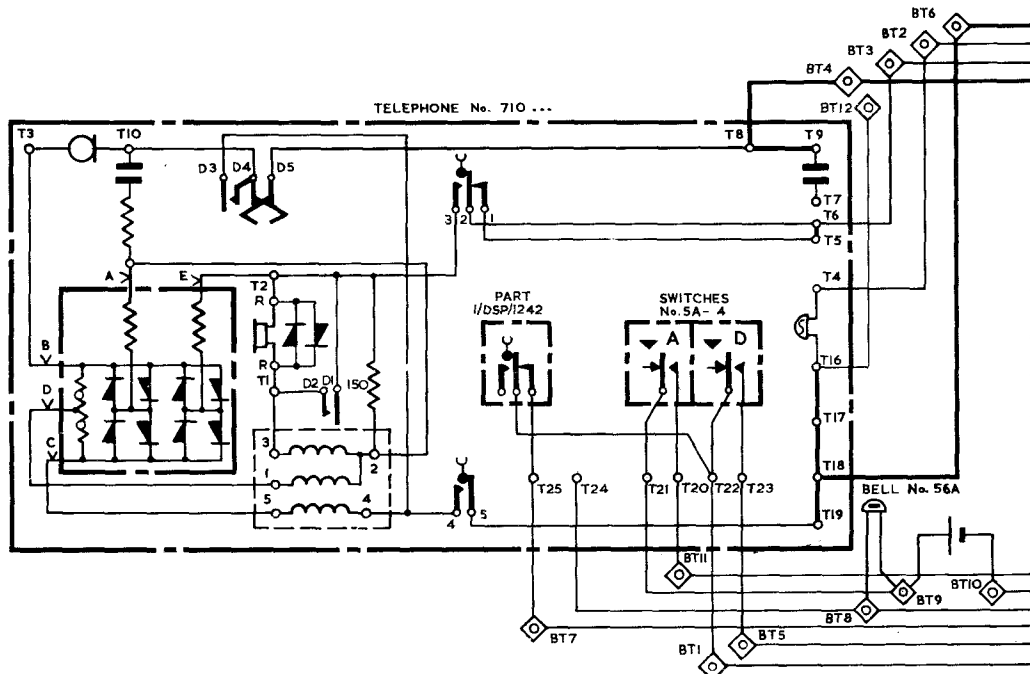
7. FIT APPROPRIATE CORDS TO TELES. AT EXTENSION THE GRN-OR CONDUCTOR IS NOT REQUIRED AND IT SHOULD BE CUT BACK AT BOTH ENDS.

8. **EXTENSION BELL**

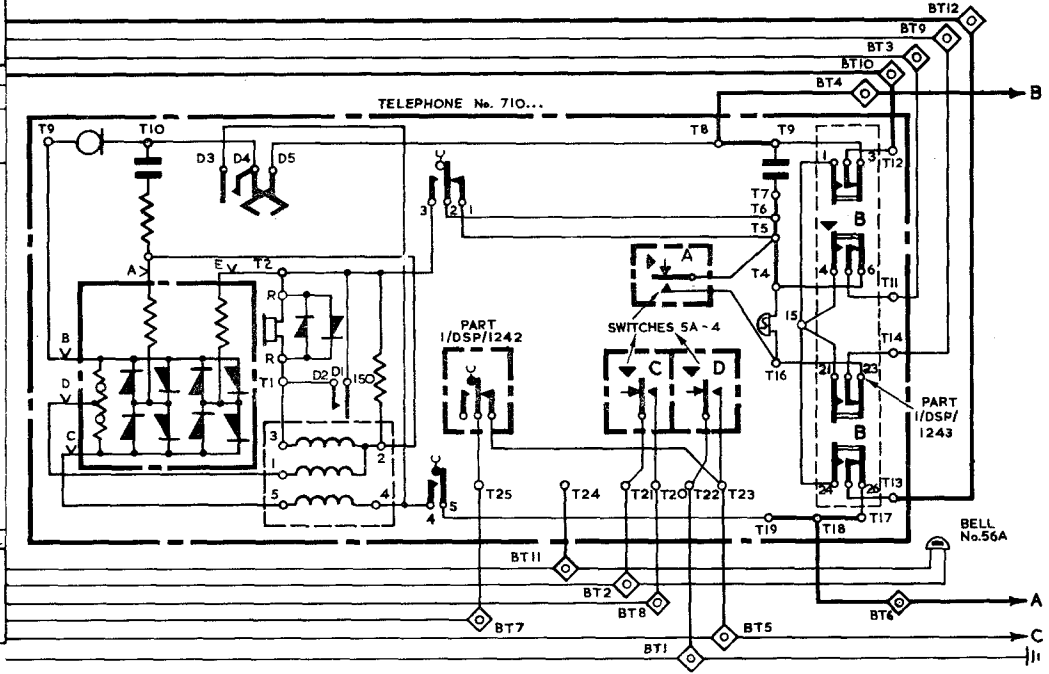
AT MAIN FIT ADDITIONAL BLOCK, TERMINAL No.30. WIRE BELL BETWEEN BT9 AND W/BLU OF CABLE. AT EXTENSION REMOVE STRAP T16 & 17 IN TELEPHONE AND CONNECT TO BT6 & BT12.

CIRCULATION	CB & AUTO
Suffix	
Amendt.	
PAPER	W

N4654  
5 PANELS - 2

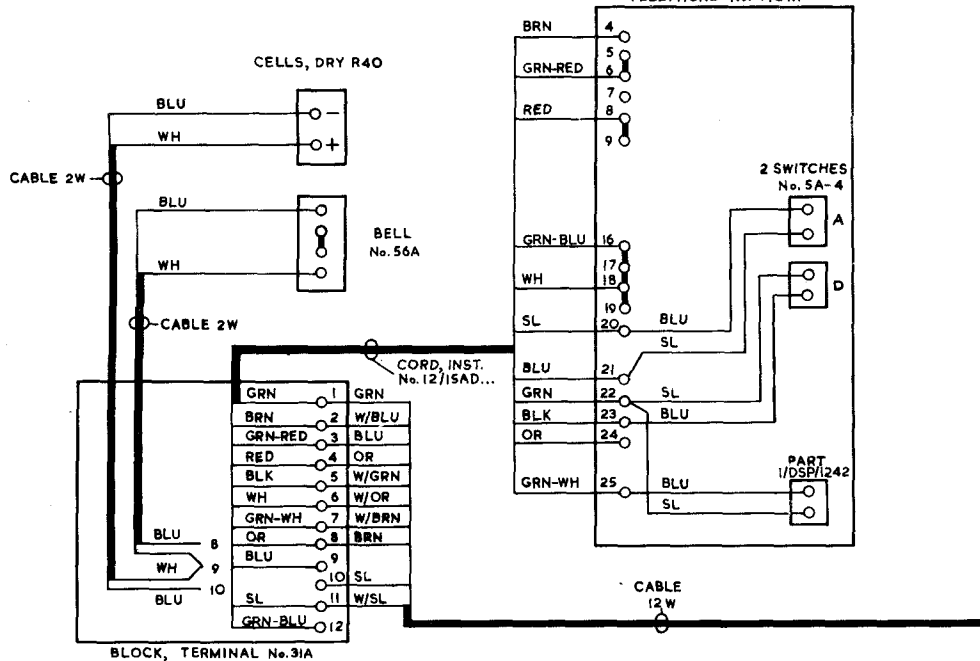


CIRCULATION  
CB & AUTO.  
Suffix  
Amendt.  
PAPER  
W



N4654  
5 PANELS-4

EXTENSION



MAIN

