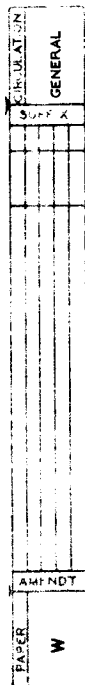


**C.B. & AUTOMATIC SYSTEMS**

EXTENSION PLANS 105 &amp; 105A (INTERNAL ONLY)

ON P.M.B.X's WITH 'C' WIRE SIGNALLING USING PLAN-SET N625



1. THE FACILITIES OF PLANS 105 & 105A ARE SHOWN ON DGM. NI450.

**2. APPARATUS REQUIRED :-****MAIN**

TELEPHONE No.710...  
PLAN-SET N625  
POWER UNIT No.53A (SEE NOTE 7)  
SWITCH No.5A-4  
PART 8/DBU/260 (RECALL)  
PART 1/DSP/1264  
CAPACITOR PAPER No.7712-2  
CLIP No.90  
PART 1/DST/836  
PART 1/DBU/199

**EACH EXTENSION**

TELEPHONE No.710...  
3 SWITCHES No.5A-4  
PART 3/DBU/260 (EXTN.)  
PART 4/DBU/260 (MAIN)  
PART 8/DBU/260 (RECALL)  
PART 1/DST/836  
BUZZER No.32A-1  
PART 1/DSP/1242  
CORD INST. No.12/15AD  
BLOCK TERMINAL No.36A

3. **AT MAIN** FROM THE BASE OF THE TELEPHONE No.710...

REMOVE THE FOUR RUBBER FEET AND THE ONE LARGE AND THREE SMALL KNOCKOUTS. FEED THE 15 WAY CABLE OF THE PLAN-SET N625 THROUGH THE LARGE KNOCKOUT AND FIT THE BASE OF THE TELEPHONE TO THE PLAN-SET BY MEANS OF THE THREE SCREWS PROVIDED. THE THREE LARGE WASHERS SHOULD BE FITTED BETWEEN THE BASE OF THE TELEPHONE AND THE PLAN-SET.

4. REARRANGE STRAPS IN THE TELEPHONE No.710 AS SHOWN. FIT PART 1/DSP/1264 IN THE AUXILIARY GRAVITY SPRINGSET POSITION. FIT CLIP No.90 TO THE RIGHT HAND GRAVITY SWITCH BRACKET, VIEWED FROM THE BACK, USING THE TWO LOWER HOLES. INSERT THE CAPACITOR No.7712-2 INTO THE CLIP WITH THE TAGS TOWARDS THE TERMINAL STRIP. FIT SWITCH No.5A-4 AND PART 8/DBU/260 INTO POSITION D. THE LATCH AT THIS POSITION SHOULD BE NONLOCKING (SEE N 848). REARRANGE STRAPS IN PLAN-SET, TRANSFER BLU-WH CONDUCTOR FROM TERMINAL 25 TO TERMINAL 12.

5. THE DIAGRAM SHOWS THE CONNEXIONS FOR PLAN 105A FOR PLAN 105 REMOVE STRAP BETWEEN PLAN-SET TERMINALS 18-19 AND PROVIDE STRAP BETWEEN TERMINAL 19-24. IN THE TELEPHONE TRANSFER OR-WH CONDUCTOR FROM T2 TO T17.

6. TO CONNECT AN EXTENSION BELL, REMOVE STRAP BETWEEN PLAN-SET TERMINALS 6-7 AND CONNECT BELL TO BT6 & BT7.

7. THE POWER UNIT No.53A SHOULD BE FITTED ADJACENT TO A 3 PIN MAINS SOCKET. 8 CELLS, DRY R40 AND 1 BOX BATTERY No.10. MAY BE FITTED IF IT IS IMPOSSIBLE TO USE A MAINS SUPPLY. TO PREVENT DAMAGE TO TRANSISTORS THE 10V SUPPLY MUST BE TERMINATED CORRECTLY. POSITIVE TO BT2, NEGATIVE TO BT1.

8. **AT EXTENSIONS** FIT SWITCHES No.5A-4 IN POSITIONS A,B & D OF THE TELEPHONE No.710 AND PARTS 4/...3/...AND 8/DBU/260 IN POSITIONS A,B & D RESPECTIVELY. THE LATCHES OF A,B & D SHOULD BE AT SETTING 3 AND THE LATCHES OF X AND Y AT SETTING 5 FIT BUZZER No.32A-1 ON TOP OF THE RIGHT HAND BELL GONG USING THE EXISTING FIXING SCREW. FIT PART 1/DSP/1242. REARRANGE STRAPS AS SHOWN. FIT CORD INST. No.12/15AD...AND BLOCK TERMINAL No.36A. TERMINATE ALL SPARE LEADS ON PART 1/DST/836.

9. AN EXTENSION BELL MAY BE CONNECTED IN PLACE OF STRAP BT2 AND BT3 AT EITHER EXTENSION.

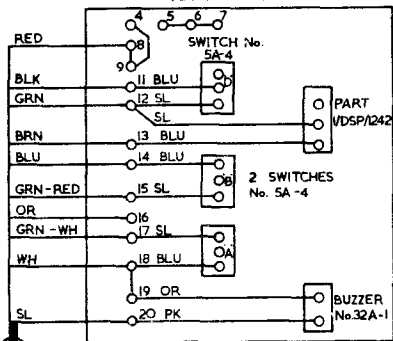
10. EARLIER ISSUES OF PLAN-SET N625 WERE SUPPLIED WITH CORD, INST. No.18/02AJ, A TABLE SHOWING THE EQUIVALENT CONDUCTOR COLOURS IS ON PANEL 3.

N4647  
4 PANELS -2

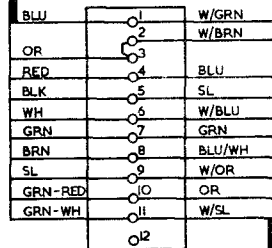
WIRING EXTENSIONS

EXTN. 2.

TELEPHONE No. 710



CORD INST. No. 12/15AD...

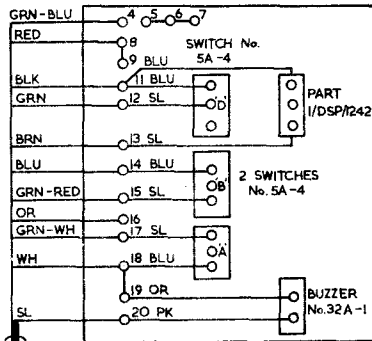


BLOCK TERMINAL  
No. 36A

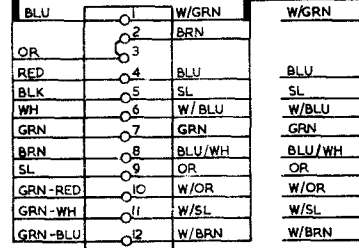
CABLE 12 W

EXTN. 1

TELEPHONE No. 710



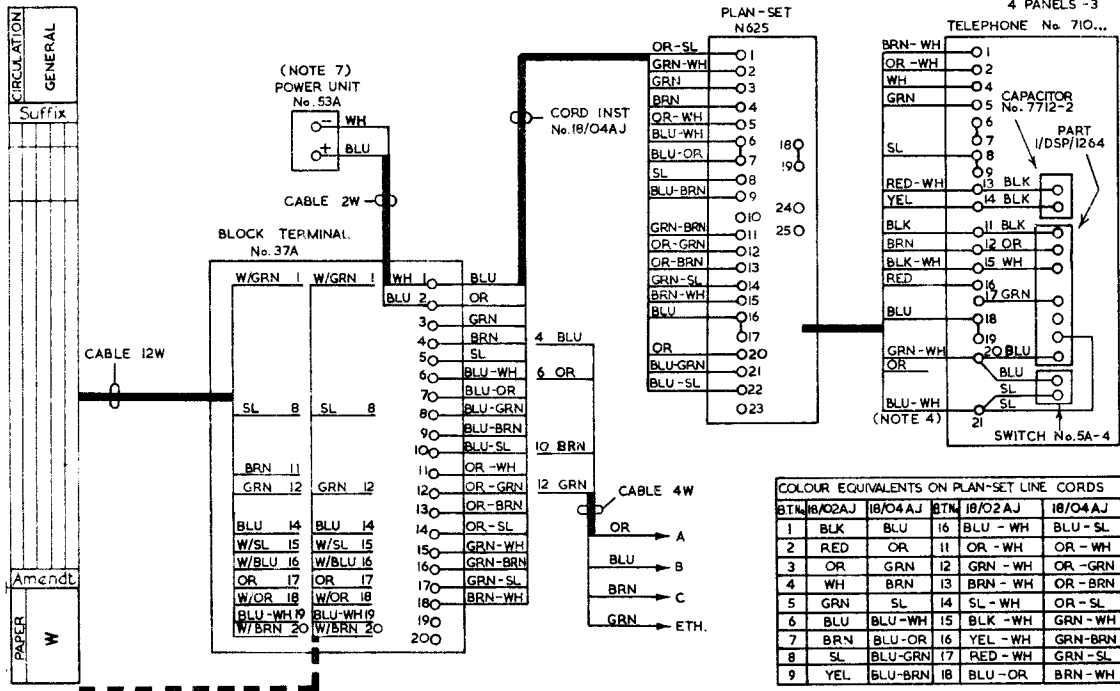
CORD INST. No. 12/15AD...



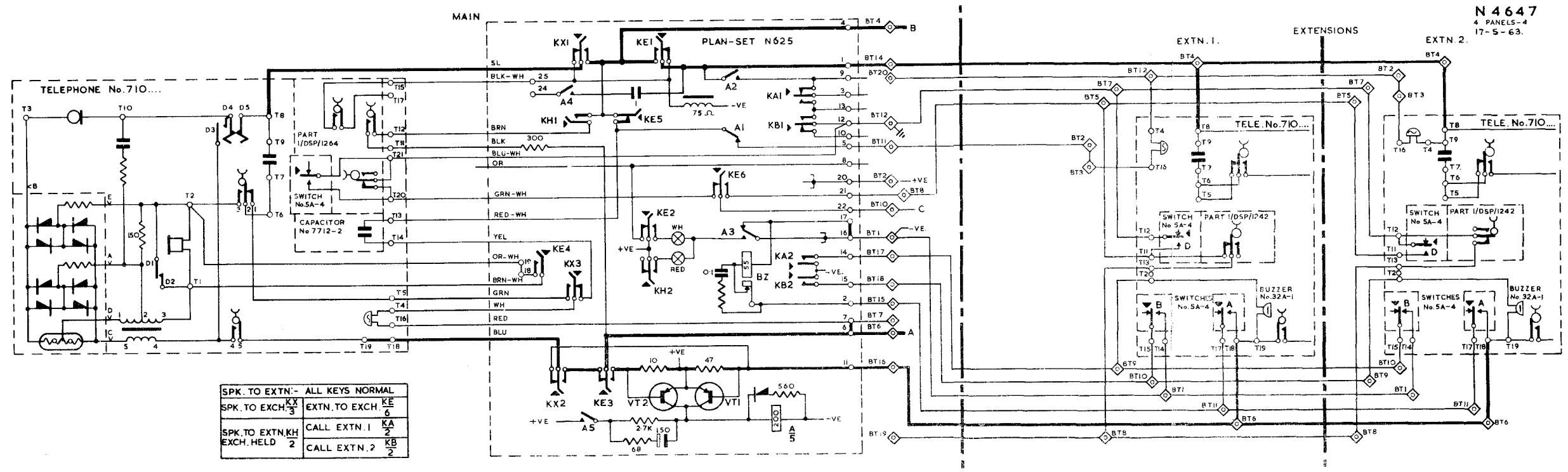
BLOCK TERMINAL  
No. 36A

# WIRING MAIN

17-5-63 N4647  
4 PANELS - 3



CIRCULATION GENERAL  
 SUFFIX  
 AMENDT.  
 W



N 4647  
 4 PANELS-4  
 17-5-63.