

CB & AUTO

6.2.63. A

NOTE 1. AMENDED TO SHOW SUPERSESSION  
ALL PANELS MADE YELLOW.

Y

# CB & AUTOMATIC SYSTEMS

## SUBSCRIBER'S EXTENSION PLAN IB ON PMBX'S WITH 'C' WIRE SIGNALLING USING TELEPHONE No. 706...

N4643  
4 PANELS-I  
19.5.61

### NOTES

1. THE FACILITIES OF PLAN IB ARE SHOWN ON DGM. N1436.  
PLAN IA SHOULD BE PROVIDED FOR NEW WORK.
2. APPARATUS REQUIRED:-

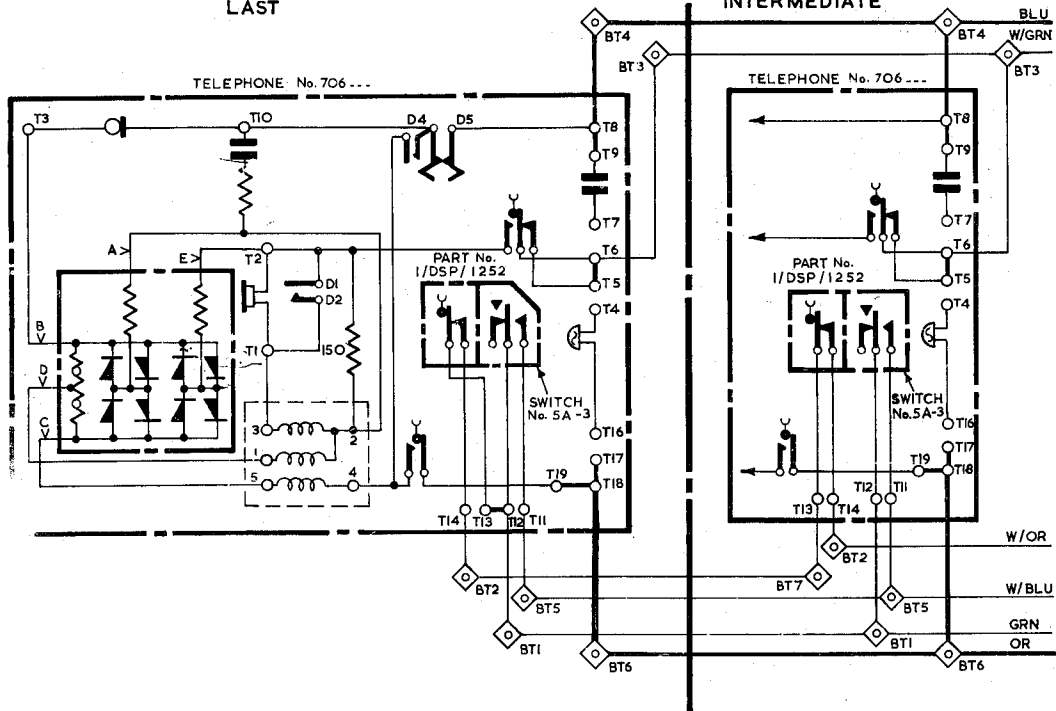
<b>MAIN.</b>	TELEPHONE No. 706....	<b>EXTN.</b>	TELEPHONE No. 706...
	SWITCH, No. 5A-3		SWITCH, No. 5A-3
	PART No. 1/DBU/263		PART No. 1/DBU/263
	PART No. 1/DSP/1252		PART No. 1/DSP/1252
	CORD, INSTRUMENT, No. 6/44AA		BLOCK, TERMINAL, No. 20/8 (INTERMEDIATE)
	BLOCK, TERMINAL, No. 20/8		CORD, INSTRUMENT, No. 9/21 AD... (INTERMEDIATE)
			CORD, INSTRUMENT, No. 6/44AA (LAST)
3. RECOVER CORD, INST., FROM TELEPHONES No. 706 AND FIT APPROPRIATE CORDS.
4. REARRANGE STRAPS ON BLOCKS, TERMINAL AND TELES. AS SHOWN.
5. WHEN EXTN. BELL IS REQUIRED: AT MAIN RECOVER CORD INST. No. 6/44AA... PROVIDE CORD INST. No. 9/21AD... AND CONNECT EXTENSION BELL, BY MEANS OF ADDITIONAL CORD CONDUCTORS, IN PLACE OF STRAP T16-T17.
6. THE EXCH. LINE MAY BE CONNECTED TO BT. AT EXTN. IF MORE CONVENIENT.

N 4643

4 PANELS-2

LAST

INTERMEDIATE



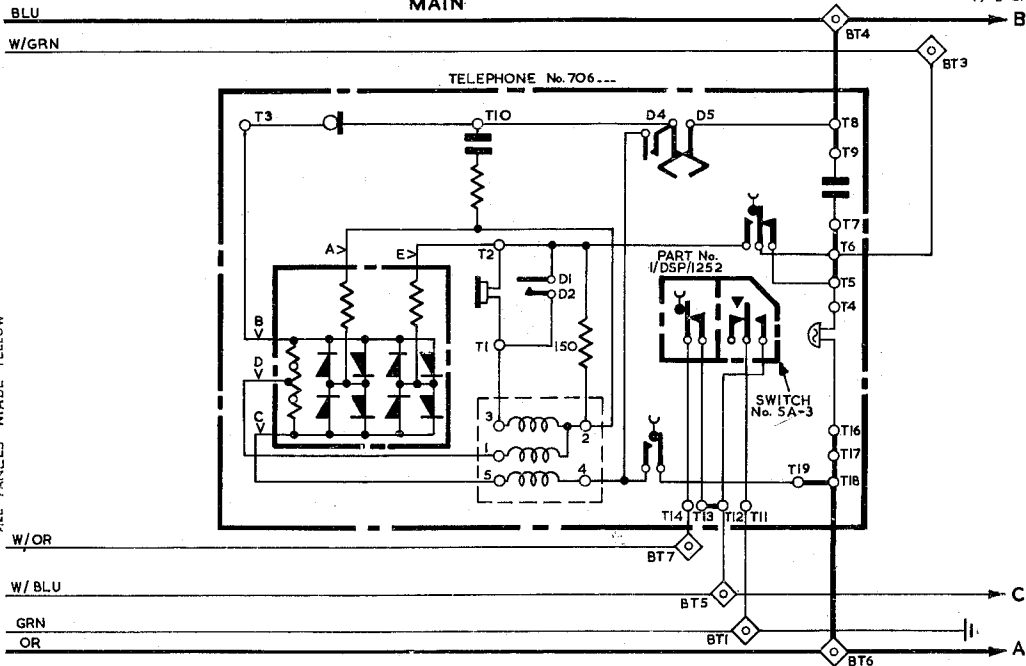
N 4643

4 PANELS - 3  
19-5-61

CB & AUTO

6.2.63. A

NOTE 1. AMENDED TO SHOW SUPERSESSION  
ALL PANELS MADE YELLOW



# N4643

4 PANELS-4

## WIRING

### INTERMEDIATE

