

CALCULATION	CB & AUTO.
	Prefix
Amend	
PAPER	W

CB & AUTOMATIC SYSTEMS

SUBSCRIBERS EXTENSION PLANS IA & IC ON PMBX'S WITH 'C' WIRE SIGNALLING USING TELEPHONES No. 706... & No. 710...

N4642
6 PANELS - 1
27-6-61

NOTES

1. THE FACILITIES OF PLANS IA AND IC ARE SHOWN ON DGM. N1425.
2. APPARATUS REQUIRED:

PLAN IA

MAIN: TELEPHONE No. 706...
SWITCH No. 5A-3
PART No. 1/DBU/263
PART No. 1/DSP/1252
CORD, INSTRUMENT, No. 9/21 AD...
BLOCK, TERMINAL, No. 20/8

EXTN: TELEPHONE No. 710...
2 PARTS No. 1/DSP/1245
1 " " 8/DBU/260
1 " " 3/DBU/262
1 " " 1/DSP/1242
CORD, INSTRUMENT, No. 9/21 AD...
BLOCK, TERMINAL, No. 31A (INTERMEDIATE)
" " No. 20/8 (LAST)

PLAN IC

MAIN: AS FOR PLAN IA.

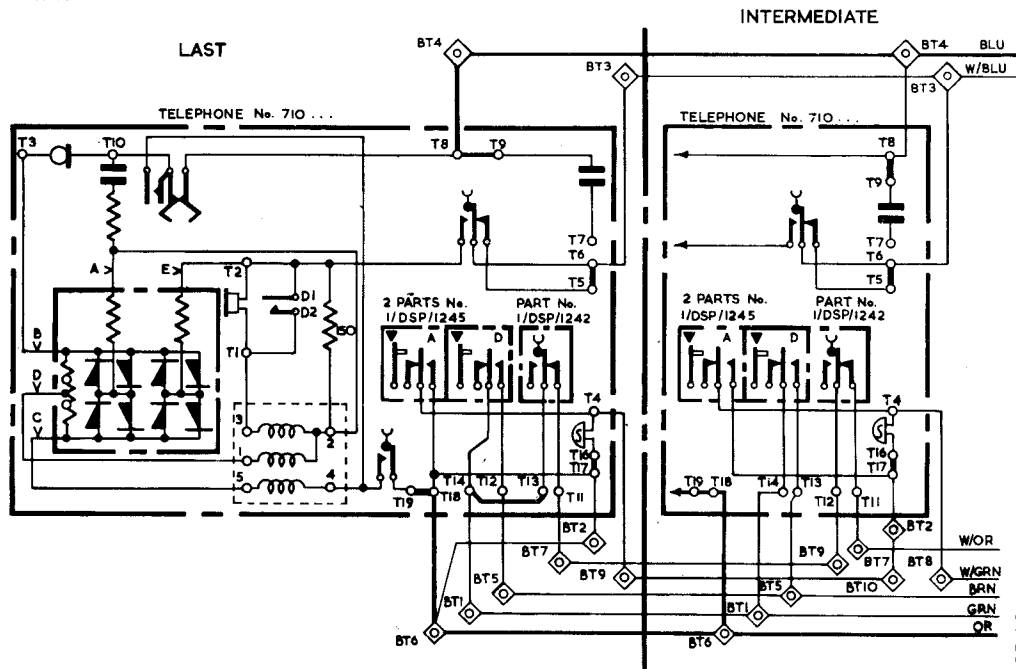
EXTN: TELEPHONE No. 706...
SWITCH No. 5A-3
PART No. 1/DBU/263
PART No. 1/DSP/1252
CORD, INSTRUMENT, No. 9/21 AD...
BLOCK, TERMINAL, No. 31A (INTERMEDIATE)
" " No. 20/8 (LAST)

3. RECOVER CORD, INST., FROM TELE. No. 706 AND FIT APPROPRIATE CORD. THE FOLLOWING CONDUCTORS ARE SPARE AND SHOULD BE CUT BACK AT BOTH ENDS:
OR & GRN-RED: MAIN TELE. CORD, INST., No. 9/21 AD...
SL: LAST EXTN.
4. REARRANGE STRAPS ON BLOCKS TERMINAL AND TELEPHONES AS SHOWN.
5. PLAN IA EXTNS: FIT PART 1/DSP/1245 WITH PART 3/DBU/262 IN POSITION A AND PART 1/DSP/1245 WITH 8/DBU/260 IN POSITION D. ADJUST LATCH BRACKETS OF A & D TO SETTING 3. THE LATCHES OF X & Y SHOULD BE AT SETTING 5.
6. WHEN EXTENSION BELL IS REQUIRED CONNECT IN PLACE OF STRAP BT2-8 AT MAIN, BT2-10 AT INTERMEDIATE OR BT2-6 AT LAST.
7. THE EXCH. LINE AND EARTH MAY BE CONNECTED TO B.T. AT EXTN. IF MORE CONVENIENT.

N4642

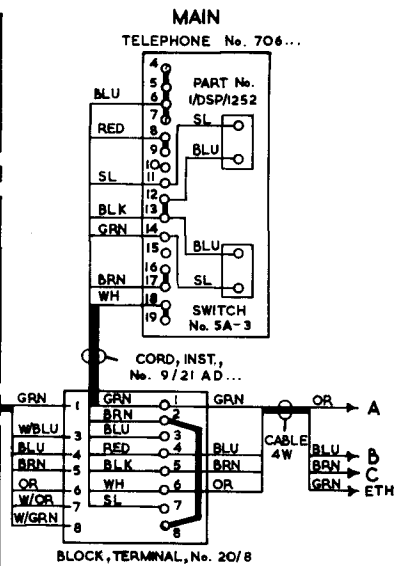
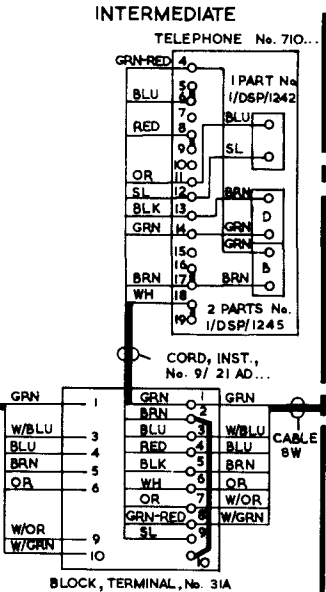
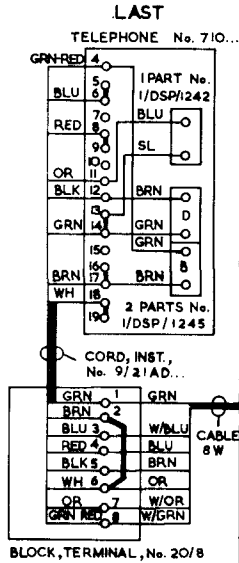
6 PANELS - 2

PLAN 1A



PLAN 1A
WIRING

N 4642
6 PANELS-3
27-6-61



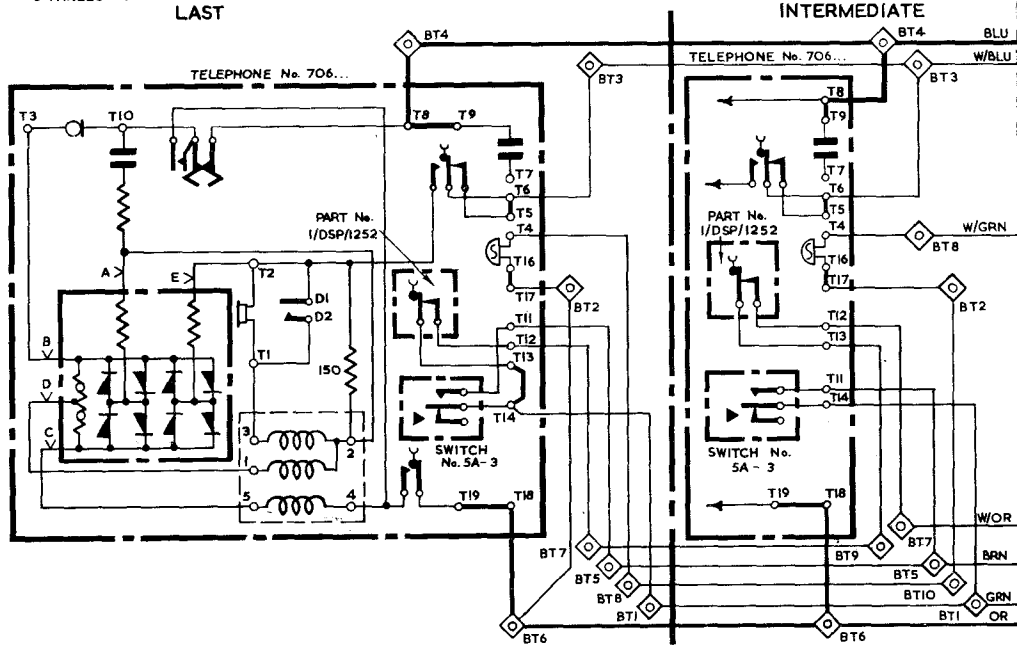
N4642

6 PANELS - 4

LAST

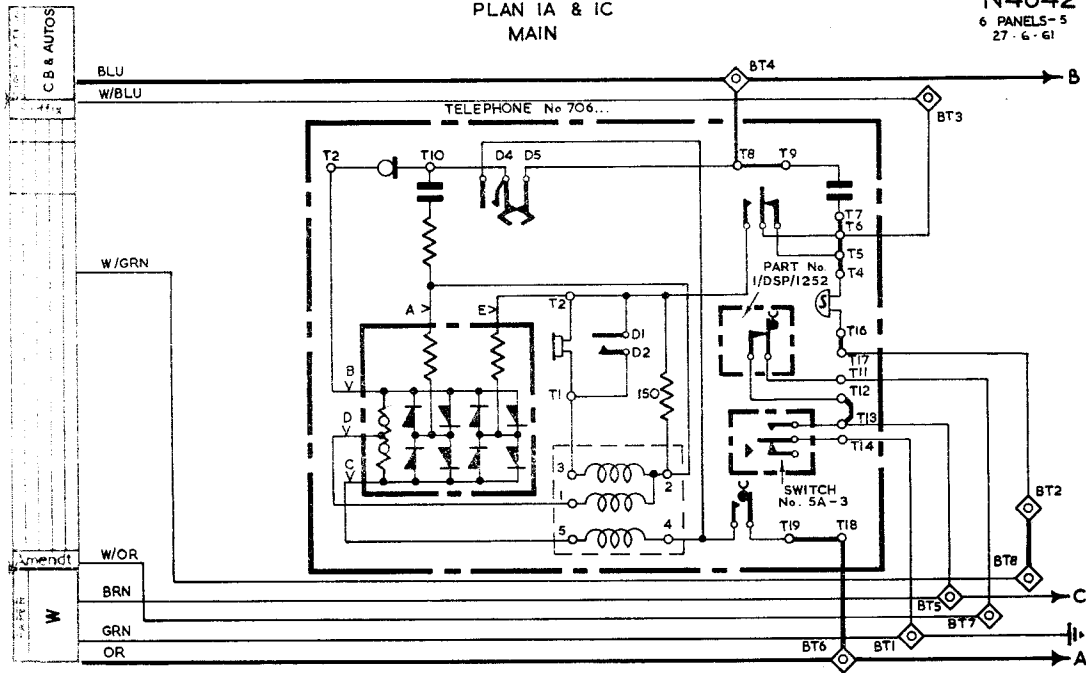
PLAN IC

INTERMEDIATE



PLAN IA & IC
MAIN

N4642
6 PANELS-5
27-6-61



N4642

6 PANELS - 6

PLAN 1C USING TELES. No.706...

WIRING

