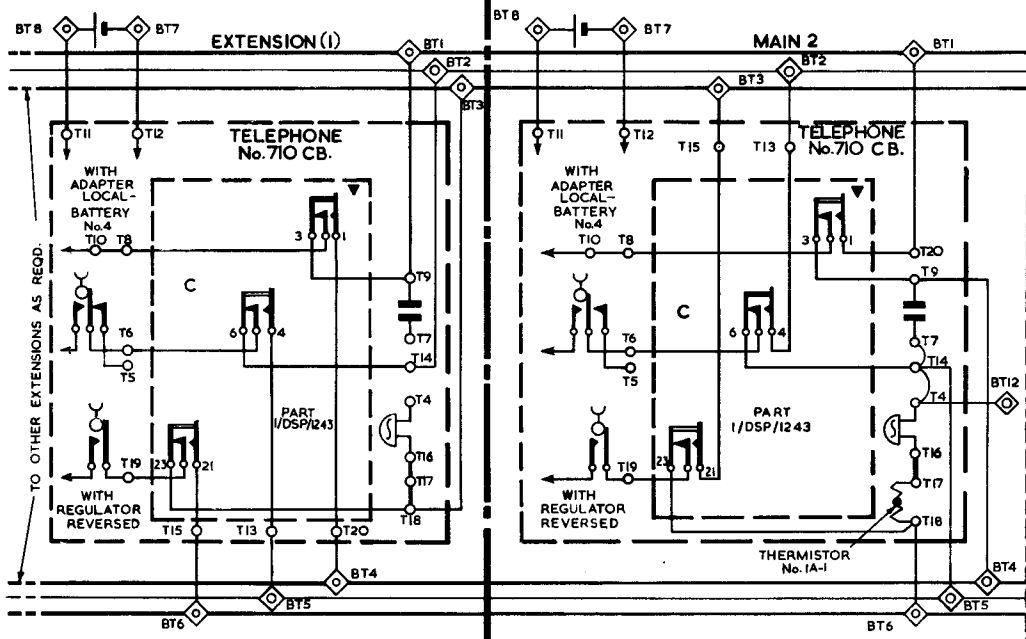


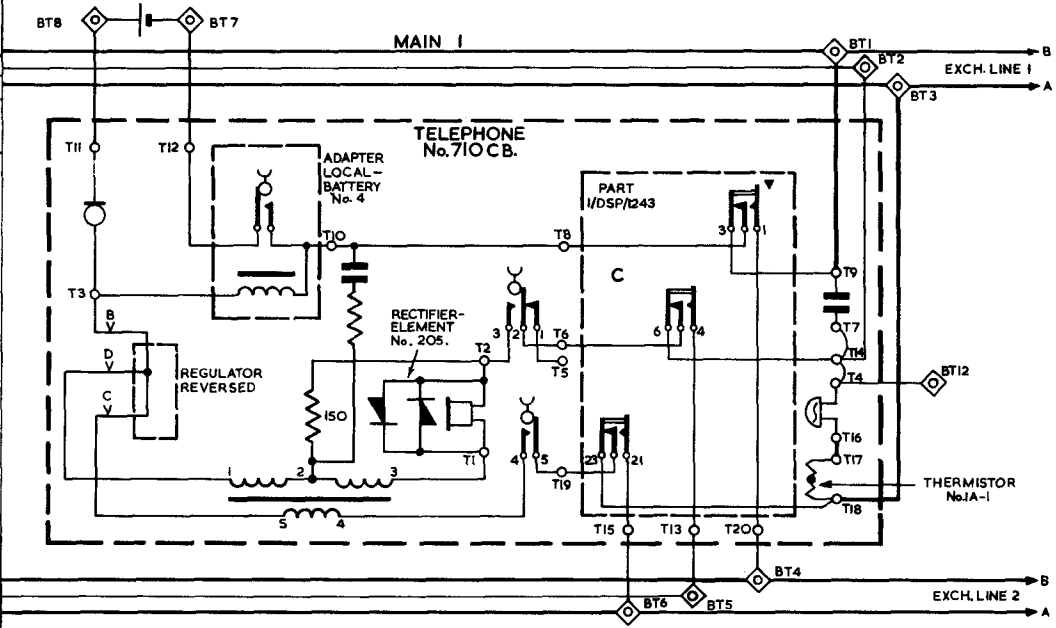
N 4604

4 PANELS-2



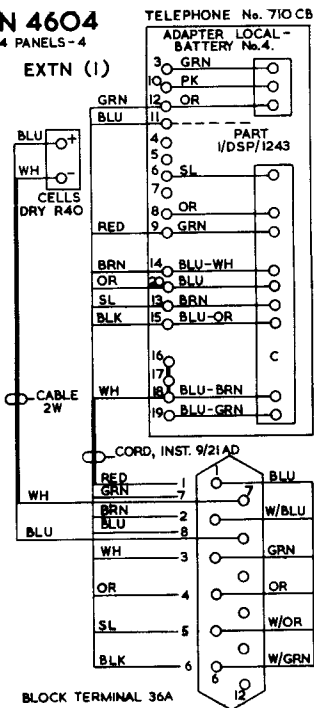
N 4604
 4 PANELS-3
 18-10-63

CIRCULATION	
CB & AUTO.	
Suffix	
Amendt.	
PAPER	W

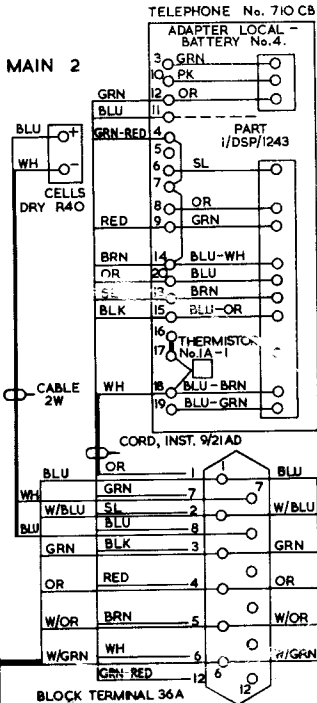


N 4604
4 PANELS-4

EXTN (1)



MAIN 2



MAIN 1

