

CB & AUTO.

S. 2. 64. 8
U.S. GILA

ALL PANELS MADE YELLOW
REDRAWN. PANELS REARRANGED

Y

**CALL OFFICE CIRCUIT-STD. AREAS
SUBSCRIBERS EXTENSION PLAN 7A (INTERNAL & EXTERNAL)
USING BOX, COIN-COLLECTING No. 705.
AND TELEPHONE No. 706 CB.**

N 4570
7 PANELS. 1
15-9-60

NOTES.

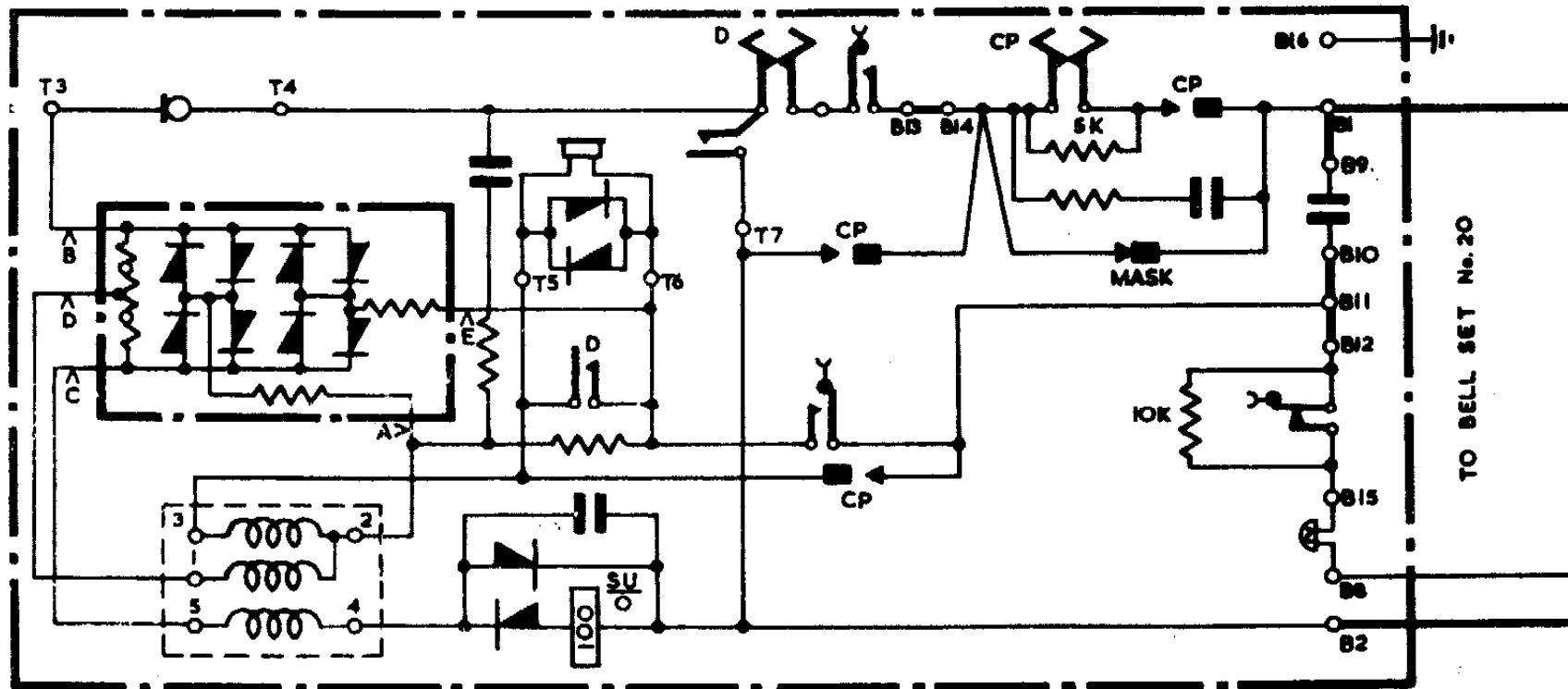
1. APPARATUS REQUIRED :-

MAIN		EXTENSION	
WITH INTERNAL EXTENSION	WITH EXTERNAL EXTENSION	INTERNAL	EXTERNAL
BELL-SET, No. 20 3 CELLS, DRY, R 40 BOX-BATTERY No. 3 BELL, No. 56A BOX, COIN- COLLECTING, No. 705 AND BLOCK, TERMINAL, No. 30 OR TELEPHONE No. 706 CB DIAL AUTO., No. 13 FA LABEL No. 355... PART 1/DSP/504	BELL-SET, No. 20 3 CELLS, DRY, R40 BOX-BATTERY No. 3 BOX, COIN- COLLECTING No. 705 OR TELEPHONE No. 706 CB DIAL AUTO., No. 13 FA LABEL No. 355... PART 1/DSP/504	BOX, COIN- COLLECTING, No. 705 PRESS BUTTON G BLOCK, TERMINAL, No. 30 OR TELEPHONE No. 706 CB SWITCH, No. 5A-3 CORD, INST., No. 5/37AA... DIAL AUTO., No. 13 FA LABEL No. 355... PART 1/DSP/504 PART No. 1/DBU/263	BOX, COIN- COLLECTING No. 705 BLOCK, TERMINAL, No. 30 GENERATOR, No. 26 AP OR TELEPHONE No. 706 CB GENERATOR, No. 26 AP DIAL AUTO., No. 13 FA LABEL No. 355... PART 1/DSP/504

- A COIN-BOX MAY BE FITTED AT EITHER MAIN OR EXTENSION OR BOTH AS REQUIRED.
- WHEN USING TELEPHONE No. 706 CB RECOVER CORD INST. No. 3/108 A AND FIT CORD, INST., No. 5/37AA... REARRANGE STRAPS, FIT DIAL No. 13 FA AND CONNECT AS SHOWN IN PANEL 4.
- THE EXCHANGE LINES ARE REVERSED AT THE BELL SET No. 20 (A LINE TO B TERMINAL, B LINE TO A TERMINAL)
- WHEN AN EXTENSION BELL IS REQUIRED REMOVE STRAPS AS SHOWN BELOW AND CONNECT BELL TO THESE TERMINALS USING CABLE 2W.
 MAIN :- E-B ON BELL SET No. 20. INTERNAL EXTENSION :- BT5 -BT6 EXTERNAL EXTENSION :- BT2 -BT3
- BOXES COIN COLLECTING No. 705 SHOULD BE EARTHED AT TERMINAL 816.

N 4570
7 PANELS-2

MAIN
BOX COIN COLLECTING No. 705



C.B. & AUTO.

S. 2. 64. B
J. 5. 61 A

ALL PANELS MADE YELLOW
REDRAWN PANELS REARRANGED

PAPER
Y

SWITCHING CONDITIONS OF BELL SET No. 20

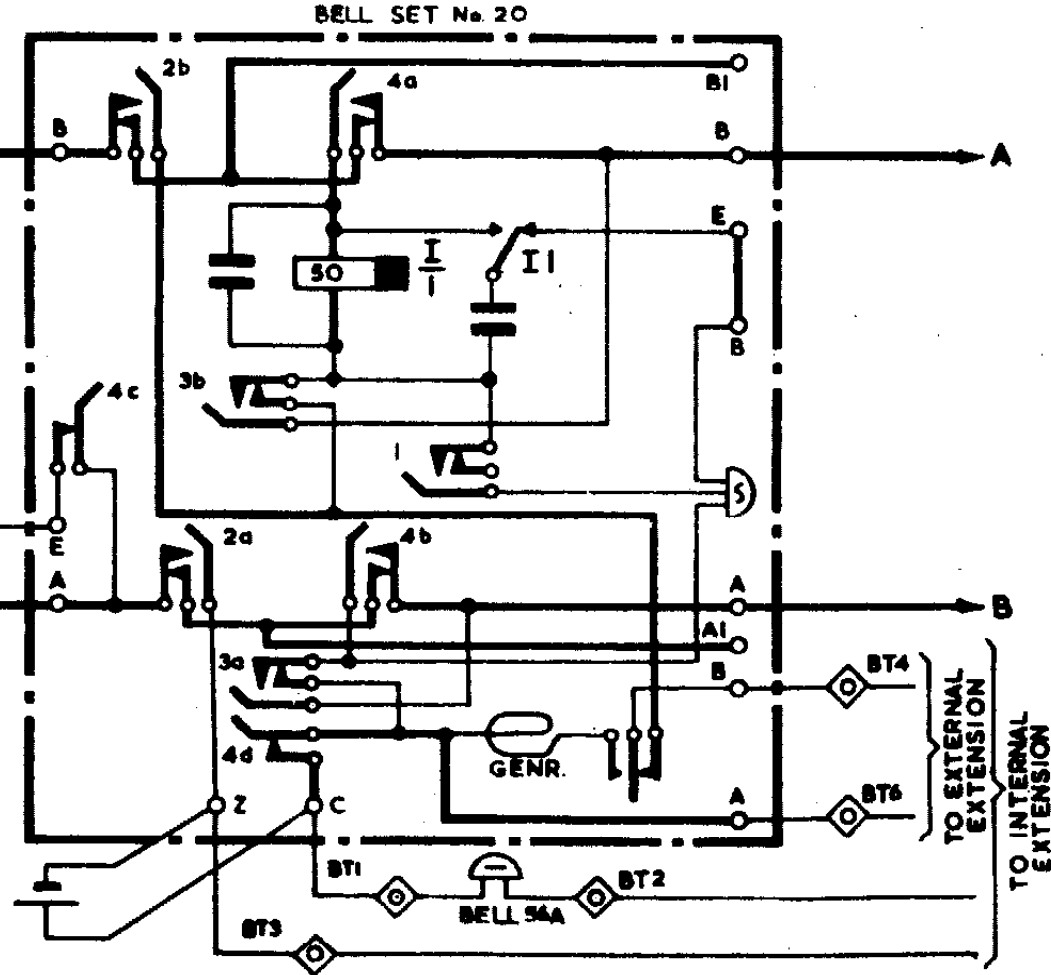
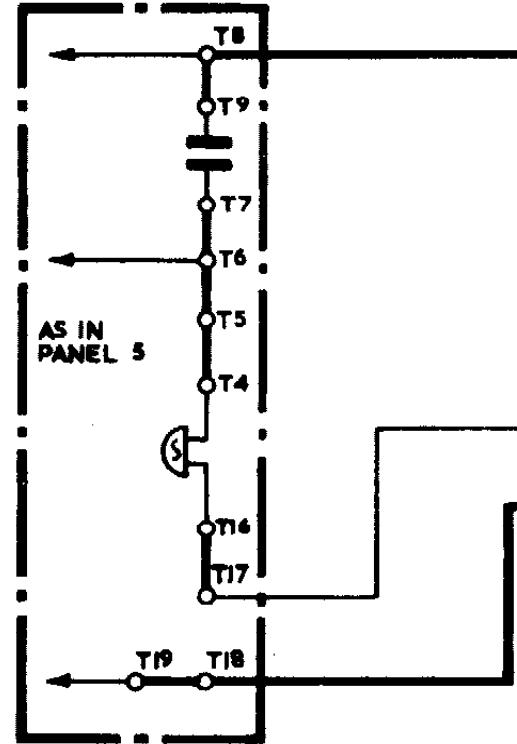
POSITION OF POINTER	SPRING ACUATED
1 MAIN TO EXCH.	ALL NORMAL
2 MAIN TO EXTN.	2 & 3
3 MAIN TO EXTN. EXCH. HELD	1 2 & 3
4 EXCH TO EXTN.	4

MAIN

N4570

7 PANELS-3
15-9-60

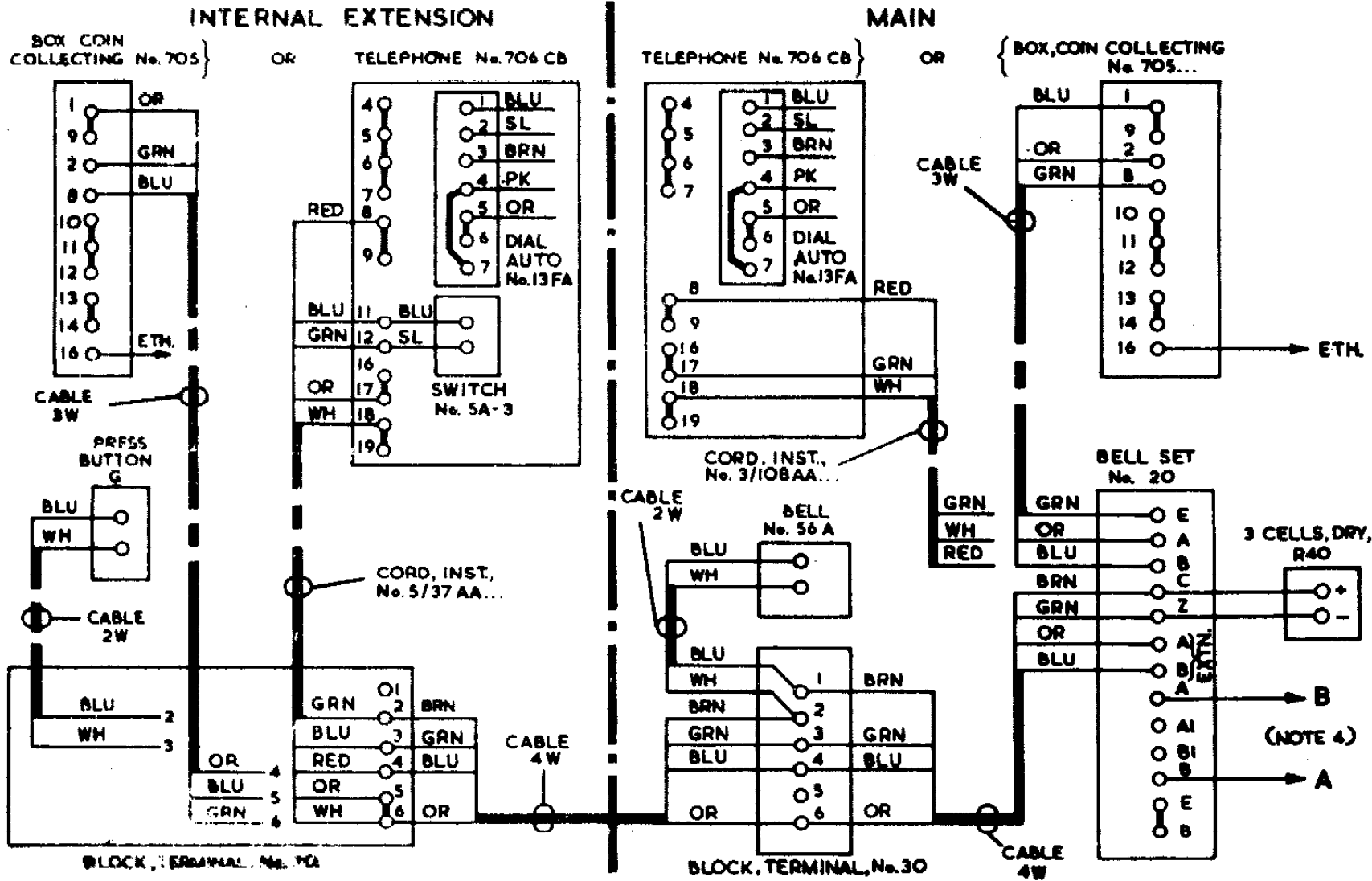
TELEPHONE No. 706CB



N4570

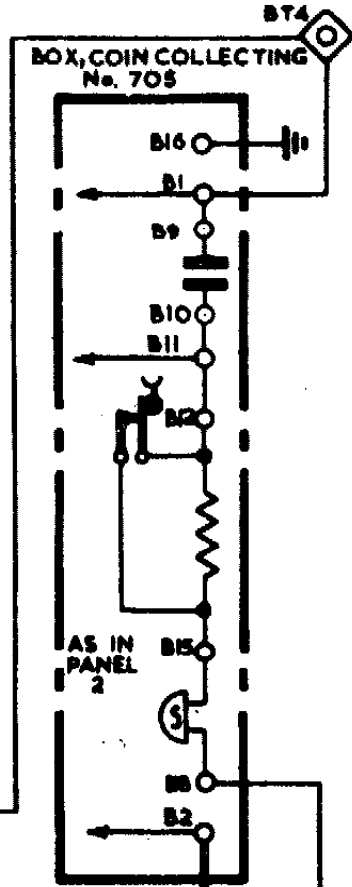
7 PANELS - 4

WIRING

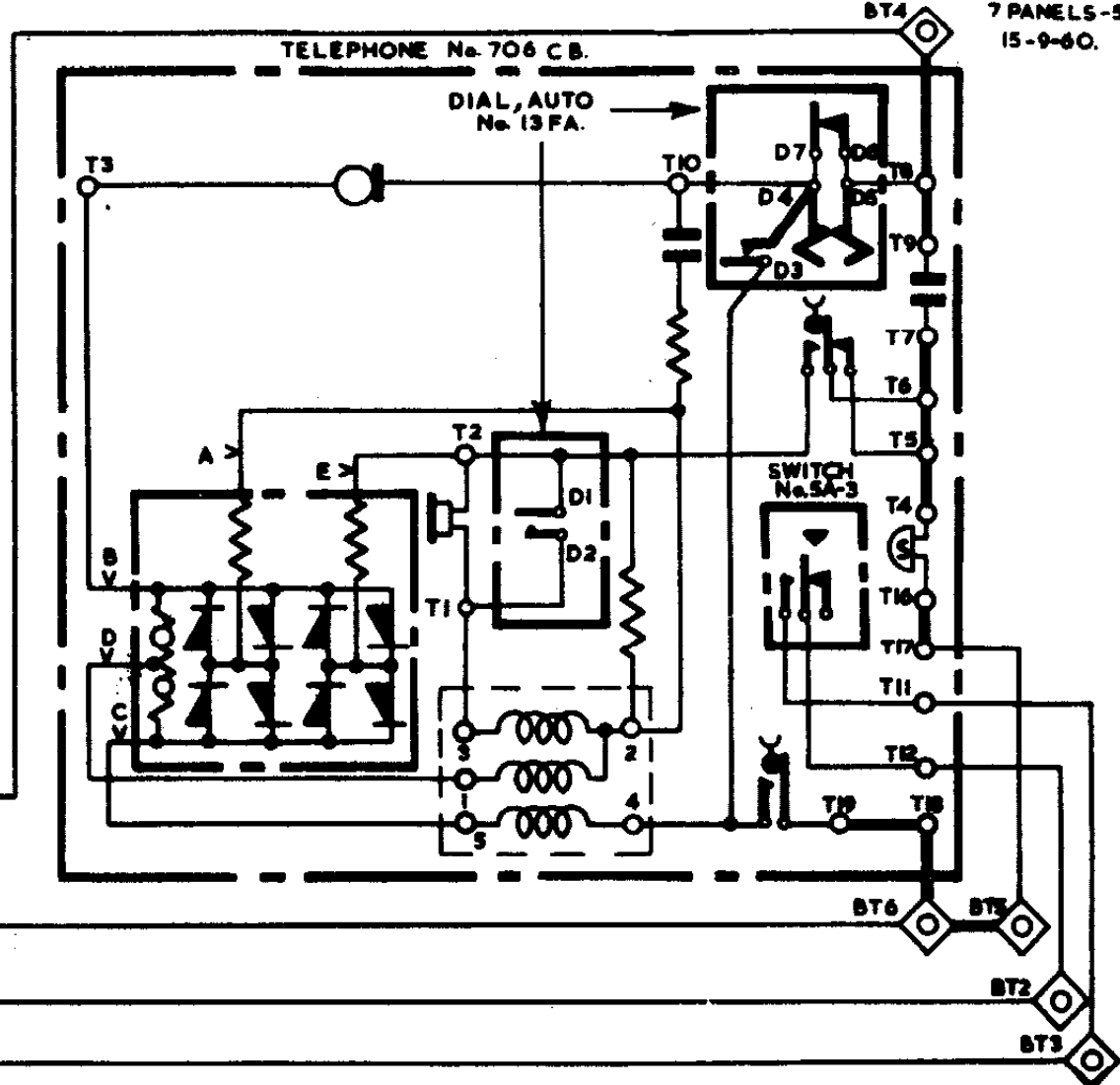


CIRCULATION	C.B. & AUTO.
	SUFFIX
PAPER	Y
	AMENDT.
ALL PANELS MADE YELLOW REDRAWN PANELS REARRANGED	
S. 2. 6. 4. B	
I. 5. 6. 1. A	

MAIN



INTERNAL EXTENSION



N4570
7 PANELS-6

EXTERNAL EXTENSION

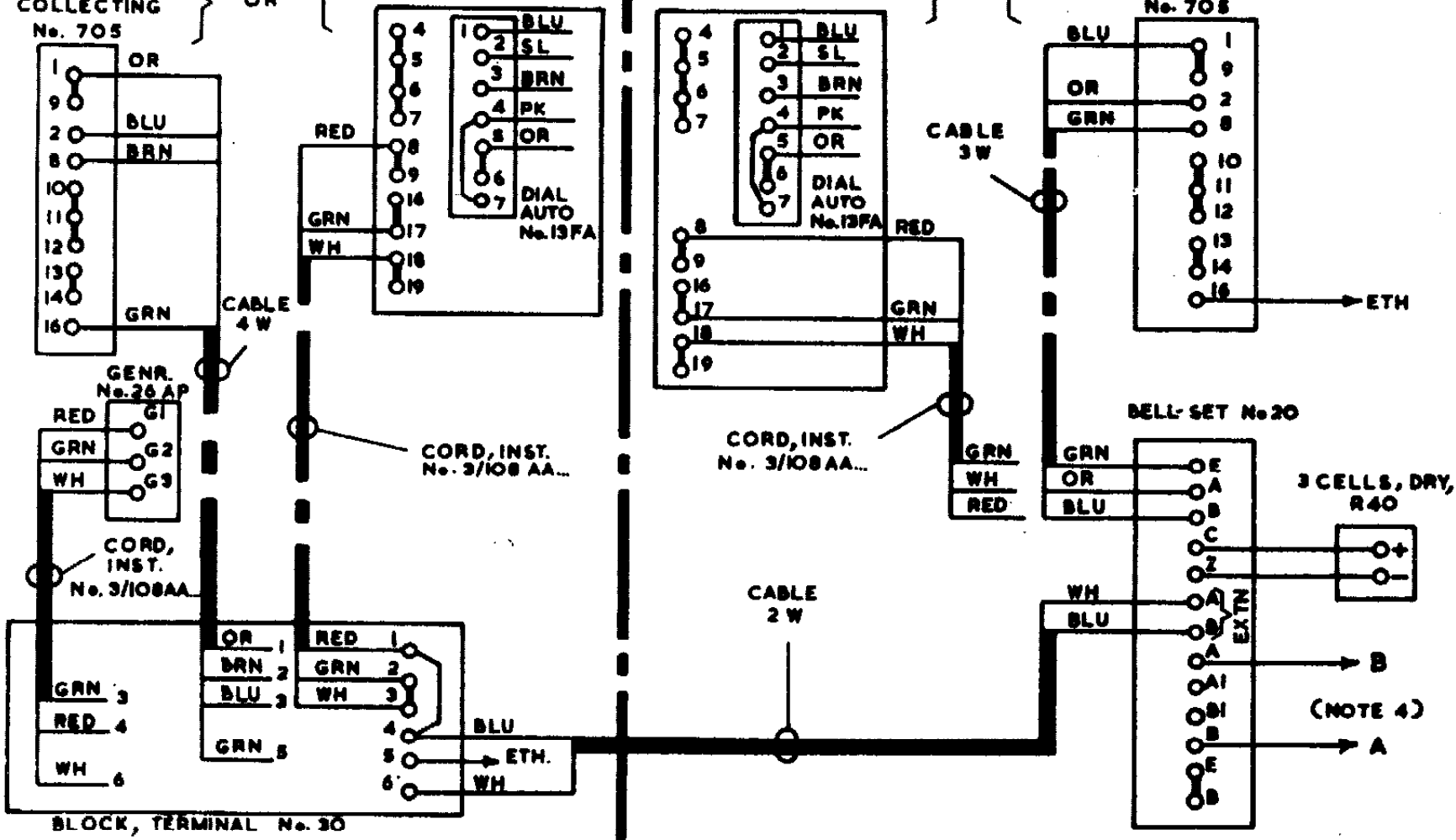
MAIN

BOX, COIN
COLLECTING
No. 705

OR TELEPHONE No. 706 CB

TELEPHONE No. 706 CB

OR BOX, COIN COLLECTING
No. 708



REGULATOR
 CB & AUTO.
 5-2-54 B
 U.S. 61 A
 ALL PANELS MADE YELLOW
 REDRAWN PANELS REARRANGED
 Y
 PAPER

MAIN

EXTERNAL EXTENSION

ALTERNATIVE USING
 TELE. No. 706 CB

N 4570
 7 PANELS-7
 18-9-60

