

CALL OFFICE CIRCUIT—S.T.D. AREAS
SUBSCRIBERS EXTENSION PLAN 1B
USING BOXES, COIN COLLECTING No.705 & TELEPHONE No.706CB

N4563
7 PANELS-1
4-12-59

CB & AUTO

B
YELLOW 22-2-G3
16-8-61 A

ALL PANELS MADE
YELLOW 22-2-G3
16-8-61 A

Y

NOTES

1. THE DIAGRAM SHOWS PLAN 1B USING BOXES, COIN COLLECTING No.705 AND TELEPHONES No.706. NO MORE THAN TWO BOXES, COIN COLLECTING No.705 MAY BE FITTED. THE BELL IS SHOWN CONNECTED EITHER AT THE FIRST BOX COIN COLLECTING No.705, OR THE LAST TELEPHONE No.706.
- (a) USING ONE BOX COIN COLLECTING No.705. AND ONE TO FIVE TELEPHONES No.706 CONNECT AS SHOWN ON PANELS 6 & 7. IF BELL IS REQUIRED IN BOX COIN COLLECTING No.705 STRAP B2-B8 AND FIT 3 WIRE CABLE. IF BELL IS REQUIRED IN TELEPHONE No.706 FIT 4 WIRE CABLE AND OMIT STRAP B2-B8 IN BOX COIN COLLECTING No.705.
- (b) USING ONLY TWO BOXES, COIN COLLECTING No.705 CONNECT AS SHOWN ON PANEL 7. AT THE FIRST BOX COIN COLLECTING No.705 CONNECT W/BLU TO B8, AND IN SECOND BOX COIN COLLECTING No.705 STRAP B15-B2.
- (c) USING TWO BOXES, COIN COLLECTING No.705 AND ONE TO FOUR TELEPHONES No.706 CONNECT AS SHOWN ON PANELS 6 & 7. IF BELL IS REQUIRED IN BOX, COIN COLLECTING No.705 CONNECT W/BLU TO B8 IN FIRST BOX, COIN COLLECTING No.705 AND STRAP B15-B2 IN SECOND BOX, COIN COLLECTING No.705. FIT 3 WIRE CABLE TO TELEPHONES No.706. IF BELL IS REQUIRED IN TELEPHONE No.706 CONNECT W/BLU TO B15 IN FIRST BOX, COIN COLLECTING No.705. IN SECOND BOX, COIN COLLECTING No.705 OMIT STRAP B2-B15, AND FIT 4 WIRE CABLE TO TELEPHONES No.706.

2. APPARATUS REQUIRED

STATION WITH COIN BOX :-
BOX, COIN COLLECTING No.705

STATION WITHOUT COIN BOX :-
TELEPHONE No.706 CB
RESISTOR, CARBON No.15 DD 100Ω
DIAL, AUTO No.13 FA
LABEL No.355...
PART 1/DSP/504

3. THE EXCHANGE LINE MUST ALWAYS BE CONNECTED DIRECTLY TO A BOX COIN COLLECTING No.705 AS SHOWN ON PANELS 3 & 5 AND THENCE TO A SECOND BOX, COIN COLLECTING No.705 IF

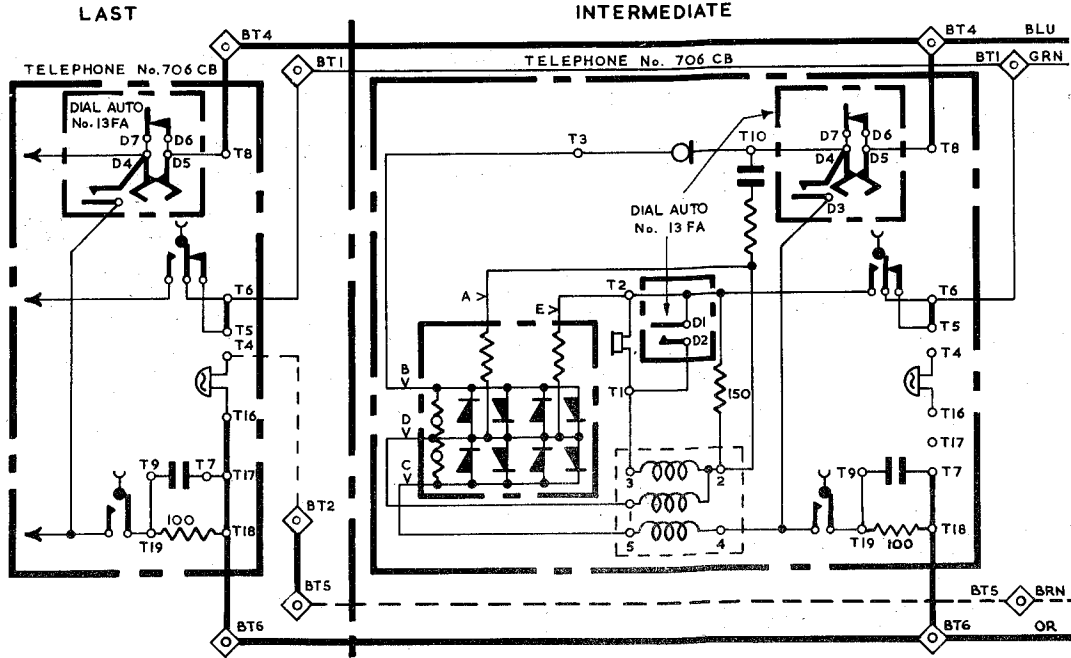
3.(CONT)

PROVIDED AS SHOWN ON PANEL 4 AND THENCE TO TELEPHONES No.706 AS SHOWN ON PANEL 2.

4. WHEN THE BELL USED IS IN THE LAST TELEPHONE No.706 RECOVER CORD, INST. 3/108AA... AND FIT CORD INST. 4/83 AA...
5. WHEN AN EXTENSION BELL IS REQUIRED CONNECT IN PLACE OF STRAP BT2-BT5 ON BLOCK, TERMINAL No.30 OR DISCONNECT STRAP B11-B12 ON BOX, COIN COLLECTING No.705 AND CONNECT BELL TO THESE TERMINALS USING CABLE 2W
6. RECOVER DUMMY DIAL FROM TELEPHONE No.706CB AND FIT DIAL, AUTO No.13 FA, LABEL No.355 AND PART 1/DSP/504. REMOVE STRAP BETWEEN D1 & D3 AND FIT STRAP BETWEEN D4 & D7.
7. BOXES, COIN COLLECTING No.705 SHOULD BE EARTHED AT TERMINAL B16.
8. PLAN 1A USING BOXES, COIN COLLECTING No.700 SHOULD BE PROVIDED FOR NEW WORK.

N4563
7 PANELS-2

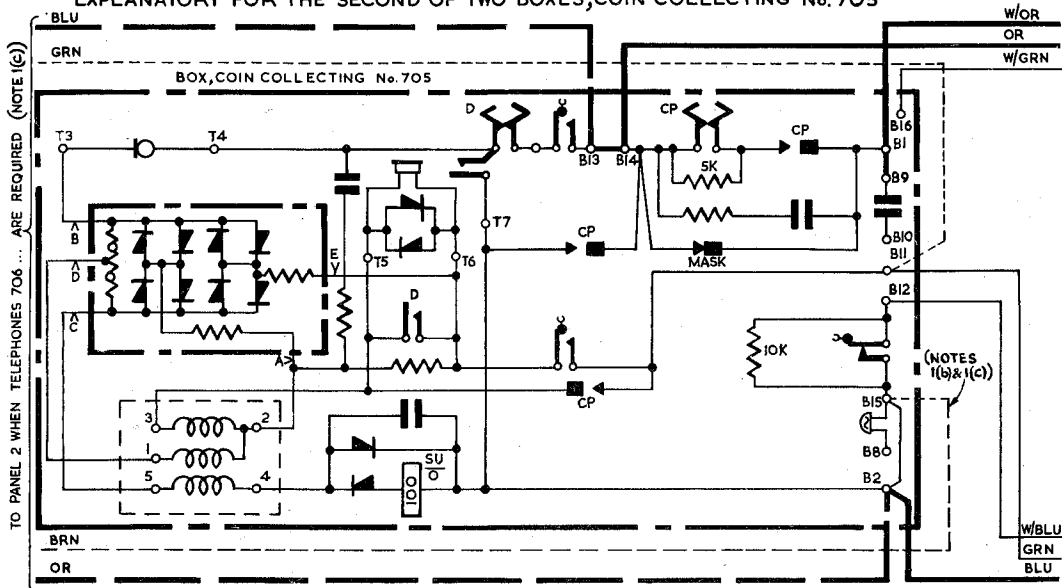
EXPLANATORY FOR TELEPHONE No. 706 CB
INTERMEDIATE



N4563

7 PANELS - 4

EXPLANATORY FOR THE SECOND OF TWO BOXES, COIN COLLECTING No. 705



EXPLANATORY FOR THE FIRST OF TWO BOXES, COIN COLLECTING No. 705

CB & AUTO

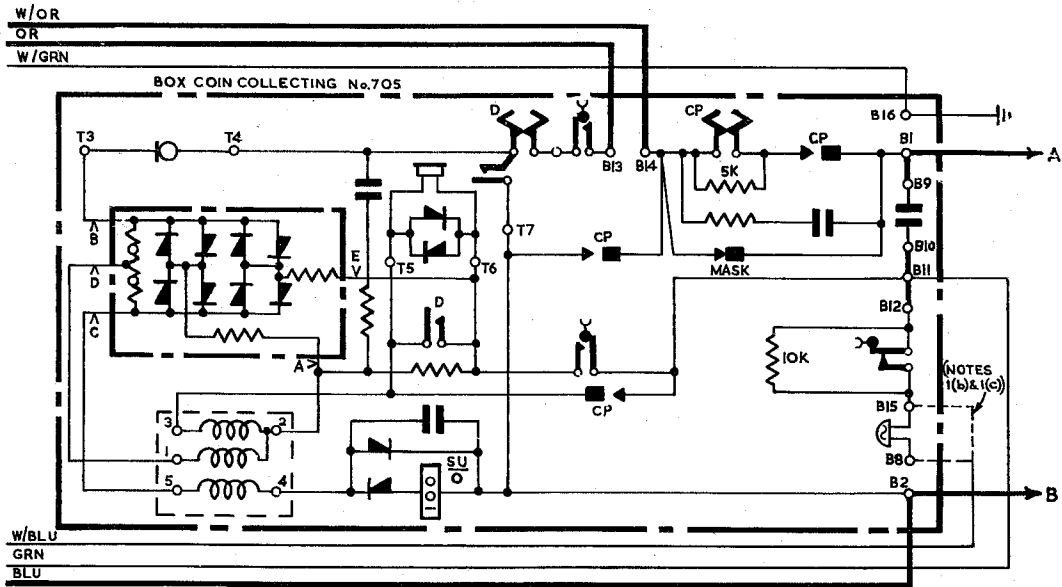
W/OR
OR
W/GRN

BOX COIN COLLECTING No. 705

Y

W/BLU
GRN
BLU

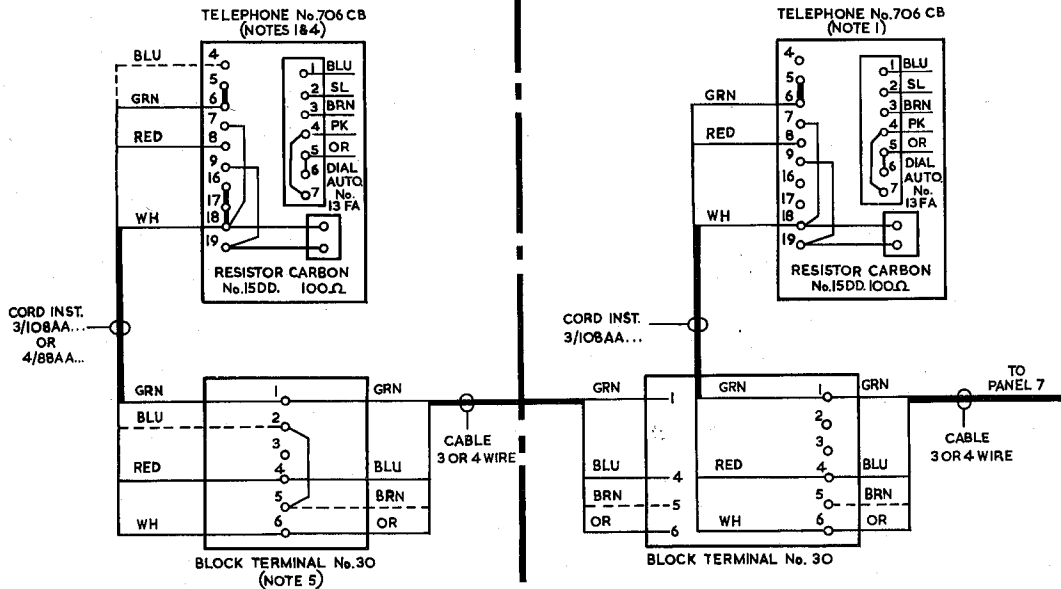
SUPERSESSION NOTE 8 ADDED. ALL PANELS MADE YELLOW 22-2-63. B
DIAL AUTO No. 13 FA ADDED 16-8-61 A



WIRING OF TELEPHONES No. 706CB

LAST

INTERMEDIATE

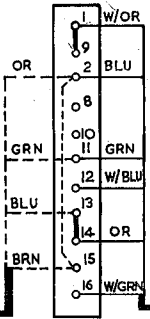


CB & AUTO
 SUPERSESSION NOTE B ADDED, ALL PANELS MADE YELLOW, 22-2-53 B
 DIAL AUTO No. 13 FA ADDED 16-8-51 A

USING TWO BOXES, COIN COLLECTING No. 705

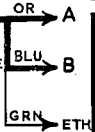
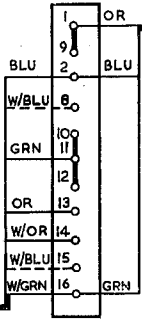
SECOND

BOX COIN COLLECTING No. 705



FIRST

BOX COIN COLLECTING No. 705



TC
 PANEL 6

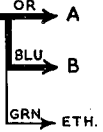
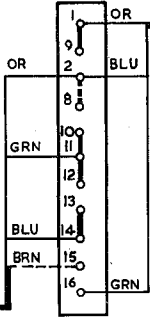
CABLE
 3 OR 4 W

CABLE
 6 W

USING ONE BOX, COIN COLLECTING No. 705

FIRST

BOX COIN COLLECTING No. 705



TO
 PANEL 6

CABLE
 3 OR 4 W

Y