

CALL OFFICE CIRCUIT — S.T.D. AREAS
SUBSCRIBER'S EXTENSION PLANS IA AND IC.
USING BOXES, COIN-COLLECTING No.705 & TELEPHONES No.706 CB.

N4562
7 PANELS-1
29.9.59

12x6 1/2 CB & AUTO
5-10-61 A
SUPERSESSION NOTE & ADDED ALL
PANELS MADE YELLOW
NOTES 5 & 7 AMENDED DIAL AUTO No.13FA ADDED.

NOTES

1. THE DIAGRAM SHOWS PLANS IA AND IC USING BOX, COIN-COLLECTING No. 705 & TELEPHONE No. 706. NO MORE THAN TWO BOXES, COIN-COLLECTING No. 705 MAY BE FITTED.
 - (a) USING ONE BOX, COIN-COLLECTING No. 705 AND ONE TO FIVE TELEPHONES No. 706 CONNECT AS SHOWN ON PANELS 6 & 7.
 - (b) USING ONLY TWO BOXES, COIN-COLLECTING No. 705 CONNECT AS SHOWN ON PANEL 7. OMIT 4 WIRE CABLE FROM SECOND BOX, COIN-COLLECTING No. 705 AND CONNECT STRAP B2-B8.
 - (c) USING TWO BOXES, COIN-COLLECTING No. 705 AND ONE TO FOUR TELEPHONES No. 706 CONNECT AS SHOWN ON PANELS 6 & 7. FIT 4 WIRE CABLE TO SECOND BOX, COIN-COLLECTING No. 705 AND OMIT STRAP B2-B8.
2. APPARATUS REQUIRED
 - STATION WITH COIN-BOX :-
BOX, COIN-COLLECTING No. 705
SWITCH, TUMBLER No. 1M (ON EXTENSIONS OF PLAN IA ONLY.)
 - STATION WITHOUT COIN-BOX :-
TELEPHONE No. 706 CB
DIAL, AUTO, No. 13 FA. LABEL No. 355...
PART 1/DSP/504
RESISTOR, CARBON No. 15 DD 100Ω
SWITCH, No. 5A-3
PART 1/DBU/264 } ON EXTNS. OF PLAN IA ONLY
 - CORD, INST., No. 5/37AA.. ON INTERMEDIATE EXTENSIONS.
 - CORD, INST., No. 4/83AA.. ON LAST EXTENSION.
3. THE EXCHANGE LINE MUST ALWAYS BE CONNECTED DIRECTLY TO A BOX, COIN-COLLECTING No. 705 AS SHOWN ON PANELS 3 & 5 THENCE TO A SECOND BOX, COIN-COLLECTING No. 705 IF PROVIDED, AS SHOWN ON PANEL 4, AND THENCE TO THE TELEPHONES No. 706 AS SHOWN ON PANEL 2.
4. FOR PLAN IA CONNECT SWITCHES, TUMBLER No. 1M.. OR SWITCHES No. 5A-3 AND PART 1/DBU/264 AT ALL STATIONS EXCEPT ONE, WHICH NEED NOT BE THE STATION TO WHICH THE EXCHANGE LINE IS CONNECTED.
5. RECOVER DUMMY DIAL FROM TELEPHONE No. 706 CB AND FIT DIAL, AUTO No. 13 FA, LABEL No. 355 & PART 1/DSP/504. REMOVE STRAP BETWEEN D1 & D3 AND FIT STRAP BETWEEN D4 & D7. RECOVER CORD, INST., No. 3/108 AA AND FIT APPROPRIATE CORD.
6. WHEN AN EXTENSION BELL IS REQUIRED CONNECT IN PLACE OF STRAP BT2-BT5 ON BLOCK TERMINAL No. 30 OR DISCONNECT STRAPS B11-B12 ON BOX, COIN-COLLECTING No. 705 AND CONNECT BELL TO THESE TERMINALS USING CABLE, 2W.
7. BOXES, COIN-COLLECTING No. 705 SHOULD BE EARTHED AT TERMINAL B16.
8. FOR NEW WORK SUPERSEDED BY DIAGRAM N4662 USING BOXES COIN COLLECTING No. 700.

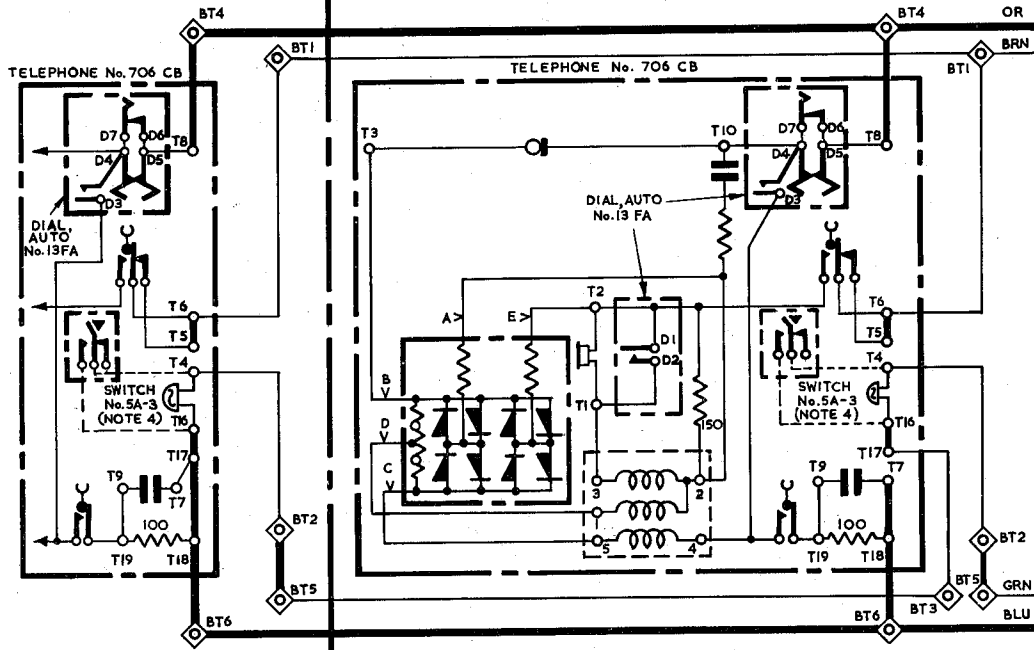
Y

N 4562

7 PANELS - 2

LAST

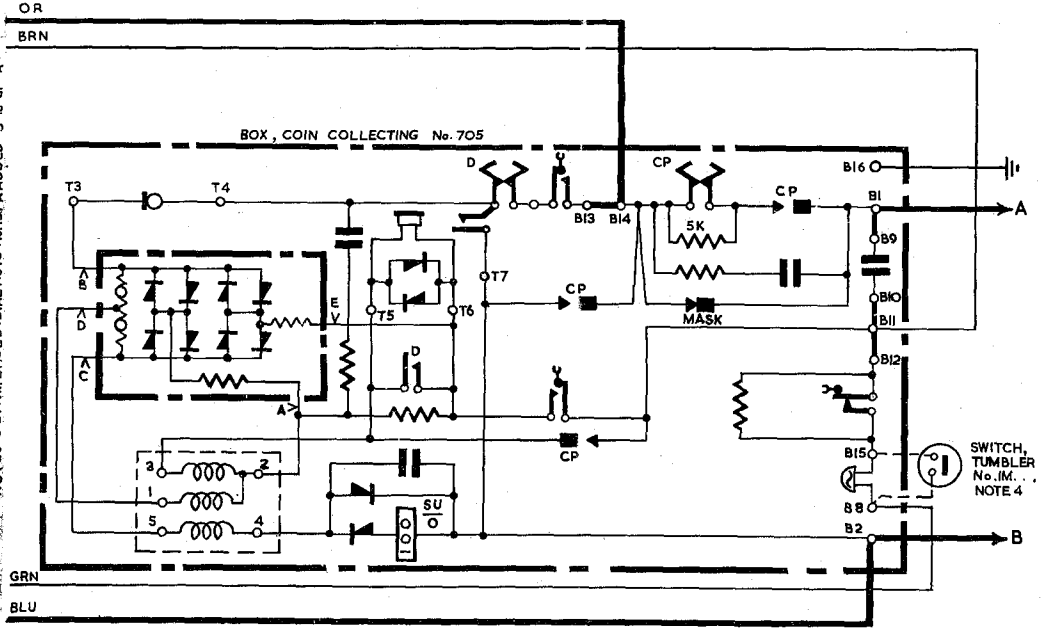
EXPLANATORY FOR TELEPHONE No. 706 CB
INTERMEDIATE



EXPLANATORY FOR SINGLE
BOX, COIN COLLECTING No. 705

IN 450 Z
7 PANELS-3
29-9-59

OR
BRN
C.B. & AUTO
SUPERSESSION NOTE 8 ADDED. ALL PANELS MADE YELLOW
NOTES 5 & 7 AMENDED. DIAL AUTO No. 13FA ADDED 5-16-61 A

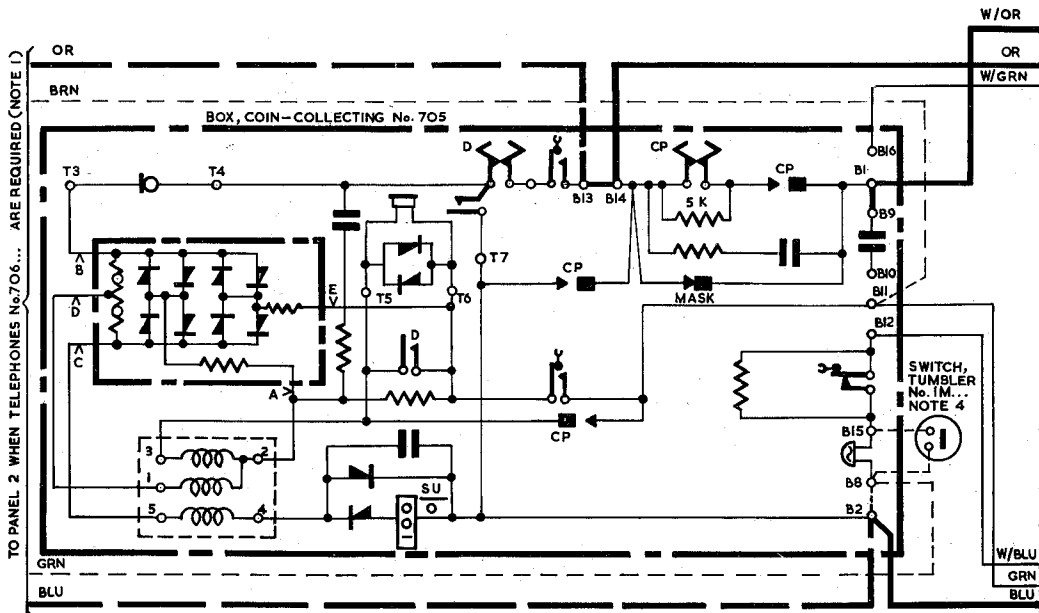


Y
BOX, COIN COLLECTING No. 705

SWITCH,
TUMBLER
No. 1M...
NOTE 4

N4562
7 PANELS-4

EXPLANATORY FOR THE SECOND OF TWO
BOXES, COIN-COLLECTING No. 705



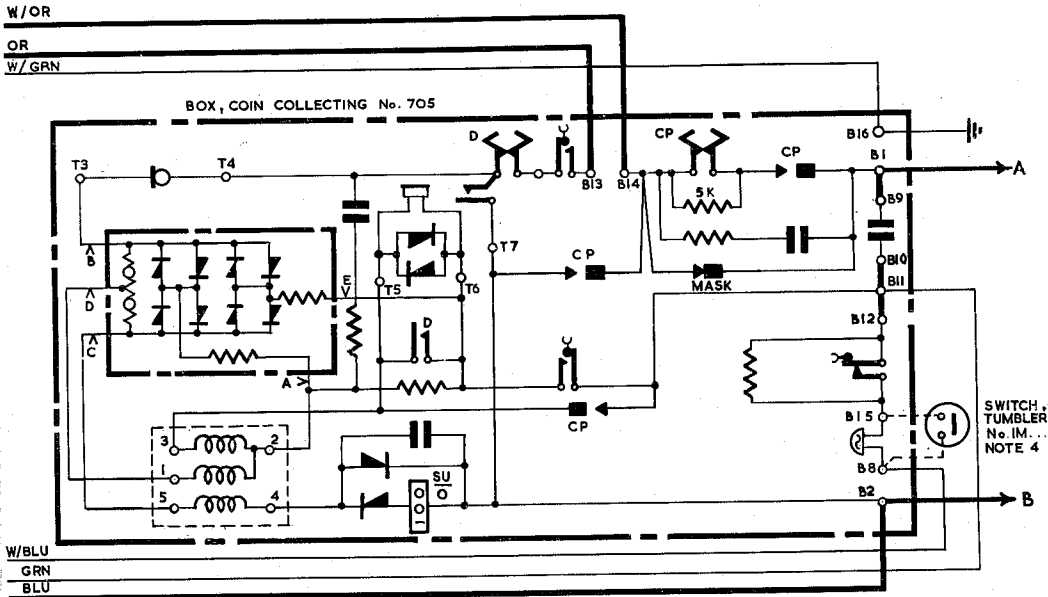
EXPLANATORY FOR THE FIRST OF TWO
BOXES, COIN COLLECTING No. 705

N4562

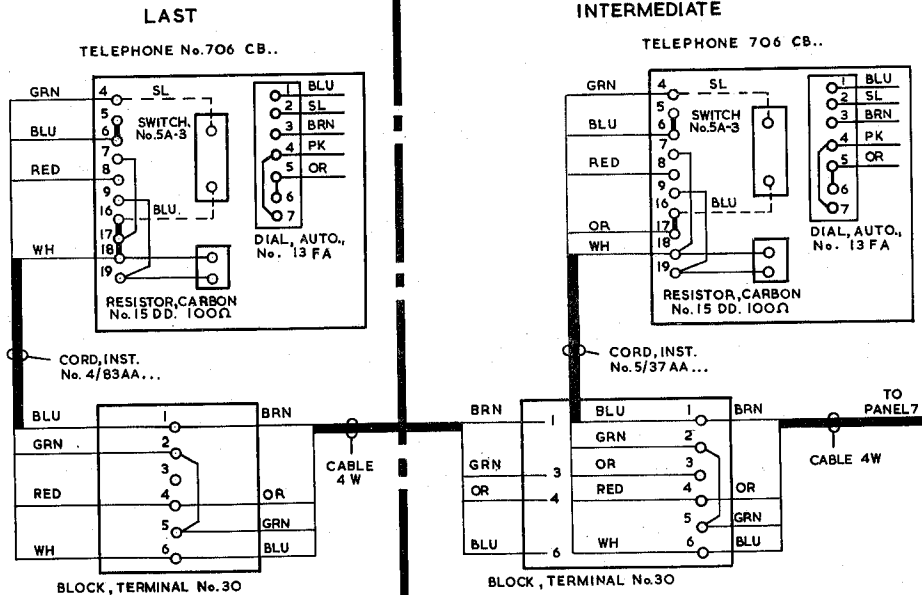
7 PANELS-5
29-9-59

1-2-64B
SUPERSESSION NOTE 8 ADDED. ALL
PANELS MADE YELLOW.
NOTES 5 & 7 AMENDED. DIAL AUTO No. 13FA ADDED 5-10-61

Y



WIRING OF TELEPHONES No.706 CB..



C. B & AUTO

SUPERSESSION NOTE 8 ADDED. ALL PANELS (2-3-5) MADE YELLOW. NOTES 5 & 7 AMENDED. DIAL AUTO No. 13FA ADDED. 5-10-61 A

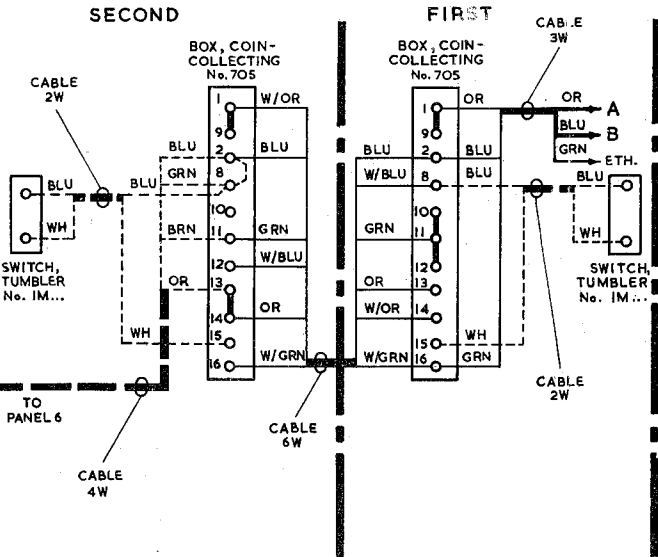
Y

WIRING FOR BOXES, COIN-COLLECTING No. 705

N 4562

7 PANELS - 7
29-9-59

USING TWO BOXES, COIN-COLLECTING No. 705



USING ONE BOX, COIN-COLLECTING No. 705

