

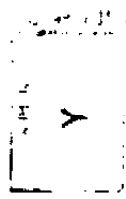
CALL OFFICE CIRCUIT-STD. AREAS

SUBSCRIBERS EXTENSION PLAN USING BOX, COIN COLLECTING No. 705 & TELEPHONE No. 706 CB

N 4561
8 PANELS-- 1
22-2-60

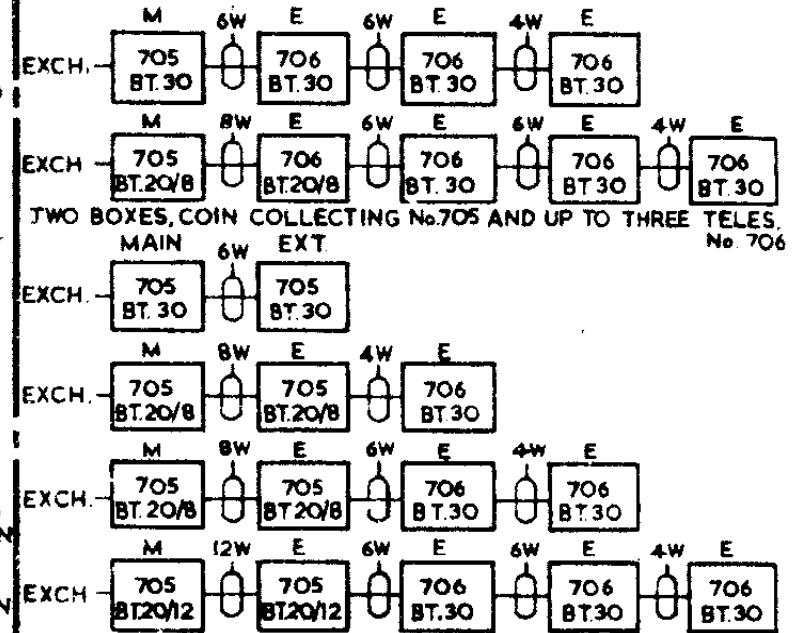
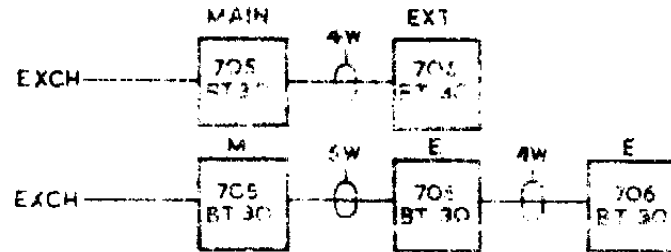
3.5.63. B CB & AUTO
19761 A

SUPERSESSION NOTE B ADDED, ALL PANELS
MADE YELLOW
DIAL AUTO No. 13FA ADDED



NOTES

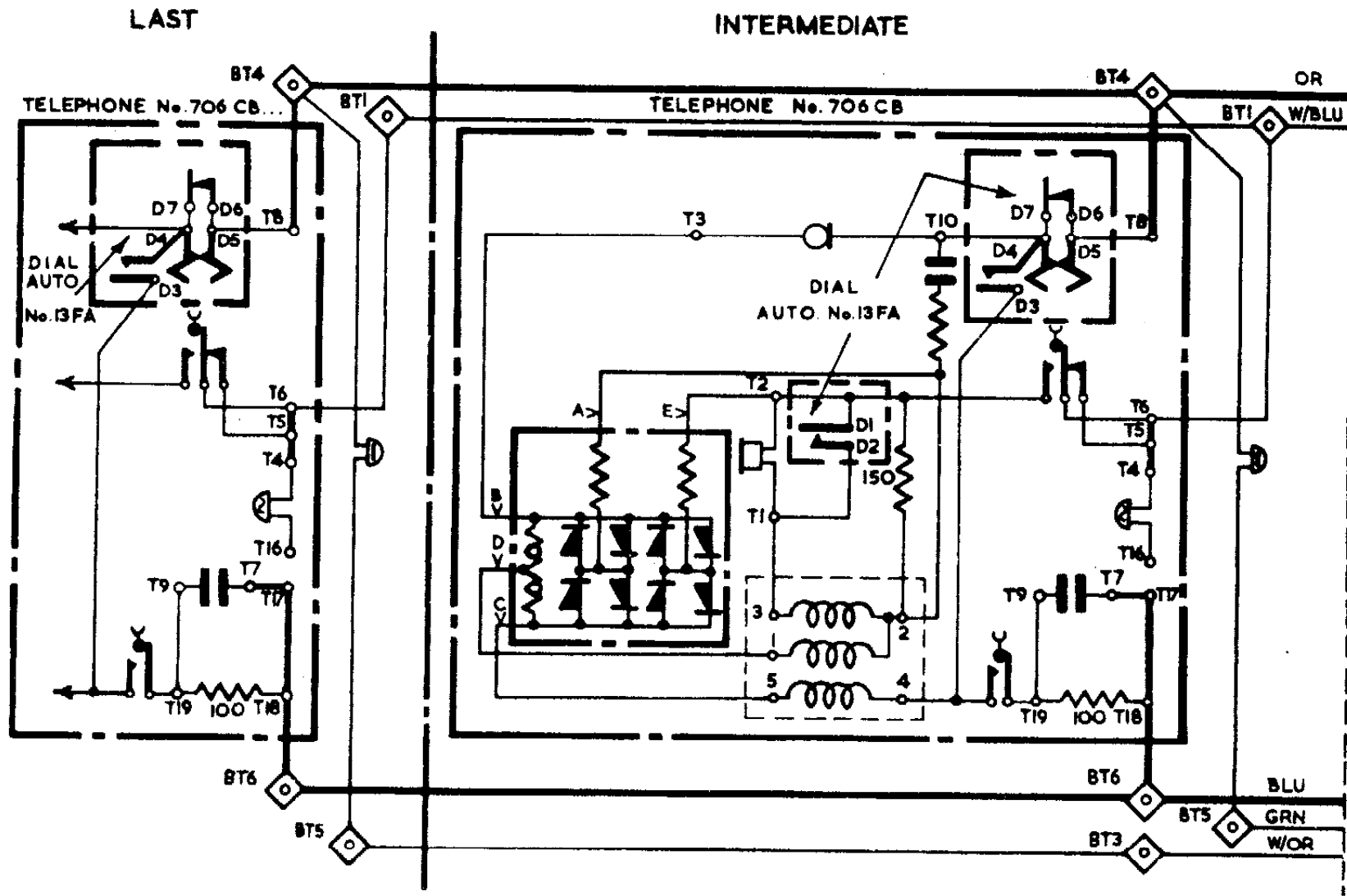
1. THIS DIAGRAM SHOWS BOTH ONE AND TWO BOXES, COIN COLLECTING No. 705, FOLLOWED BY TWO TELEPHONES No. 706 IF MORE OR LESS EXTENSIONS ARE REQUIRED THE BLOCKS TERMINAL AND THE INTER-STATION CABLING MAY HAVE TO BE MODIFIED ACCORDINGLY TO TAKE INTO ACCOUNT THE DIFFERENT NUMBERS OF BELL WIRES REQUIRED.
2. APPARATUS REQUIRED
 - STATION WITH COIN BOX -
 - BOX, COIN COLLECTING No. 705
 - PRESS BUTTONS TYPE G (ON MAIN ONLY)
 - BLOCK TERMINAL No. 20/8 OR No. 20/12 (AS REQUIRED)
 - STATION WITHOUT COIN BOX -
 - TELEPHONE No. 706 C.B.
 - BELL No. 56A
 - RES CARBON No. 15UD 100Ω
 - BLOCK TERMINAL No. 20/8 OR No. 30 (AS REQUIRED)
 - DIAL AUTO No. 13 FA
 - LABEL No. 355---
 - PART No. DSP/504
3. RECOVER DUMMY DIAL FROM TELEPHONE No. 706 C.B. AND FIT DIAL AUTO No. 13FA LABEL No. 355--- AND PART No. DSP/504 REMOVE STRAP BETWEEN D1 & D3 AND FIT STRAP BETWEEN D4 & D7
4. THE FOLLOWING SHOWS THE BLOCKS TERMINAL AND THE INTER-STATION CABLING REQUIRED WHEN USING ONE BOX, COIN COLLECTING No. 705 AND UP TO FOUR TELEPHONES No. 706 ALSO TWO BOXES, COIN COLLECTING No. 705 AND UP TO THREE TELEPHONES No. 706



5. THE EXCHANGE LINE MUST ALWAYS BE CONNECTED DIRECTLY TO A BOX, COIN COLLECTING No. 705 AS SHOWN ON PANELS 3 AND 5. THENCE TO A SECOND BOX, COIN COLLECTING No. 705 IF PROVIDED THENCE TO THE TELEPHONES No. 706 AS SHOWN ON PANEL 2
6. IF AN EXTENSION BELL IS REQUIRED AT THE MAIN REMOVE STRAP B11 - B12 AND CONNECT BELL TO THESE TERMINALS USING CABLE 2W
7. BOXES, COIN COLLECTING No. 705 SHOULD BE EARTHED AT TERMINAL B16
8. FOR NEW WORK SUPERSEDED BY DIAGRAM N 4661 USING BOXES COIN COLLECTING No. 700.

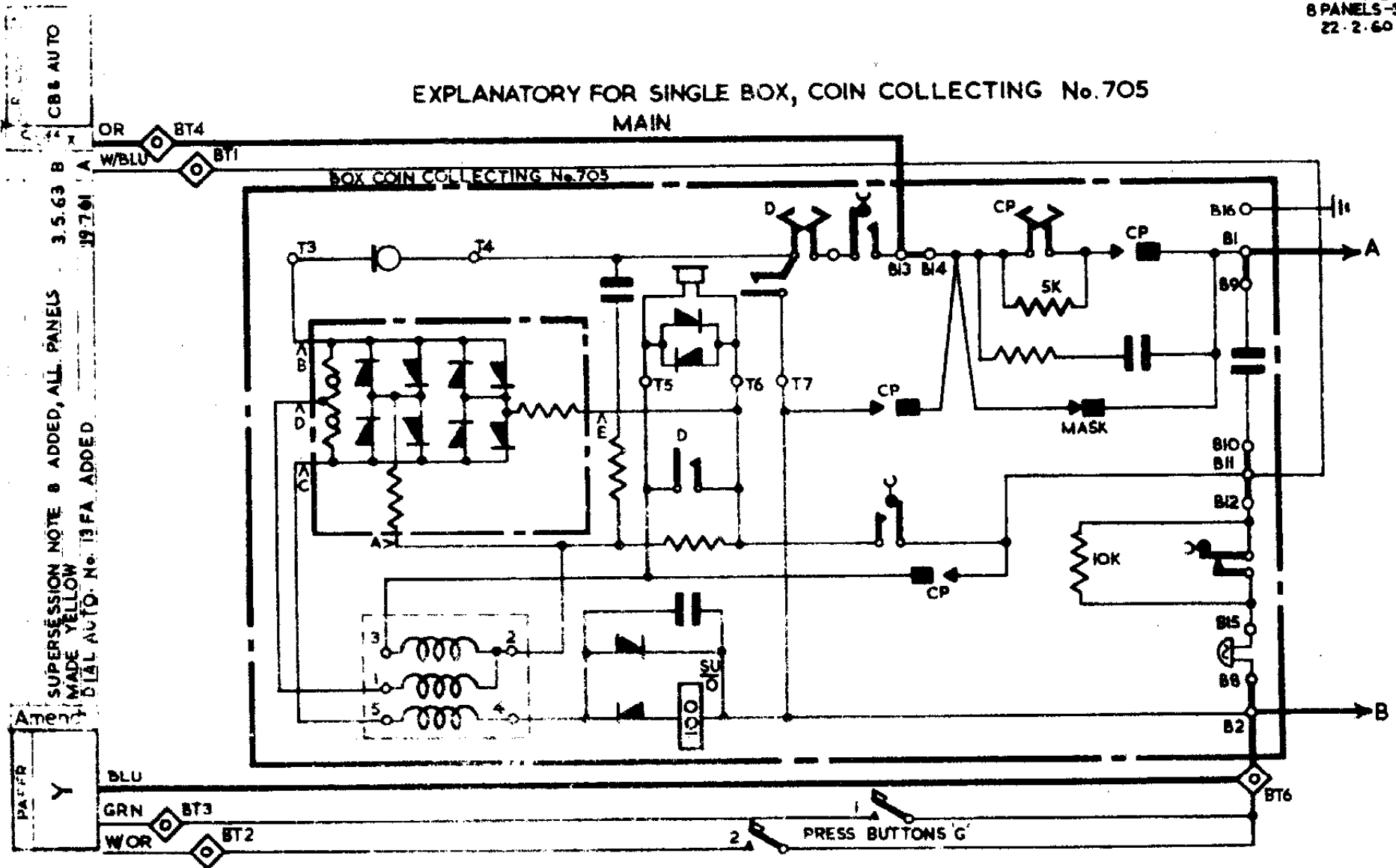
N4561
8 PANELS-2

EXPLANATORY FOR TELEPHONES No. 706 CB...



N4561
 8 PANELS-3
 22-2-60

EXPLANATORY FOR SINGLE BOX, COIN COLLECTING No. 705
 MAIN



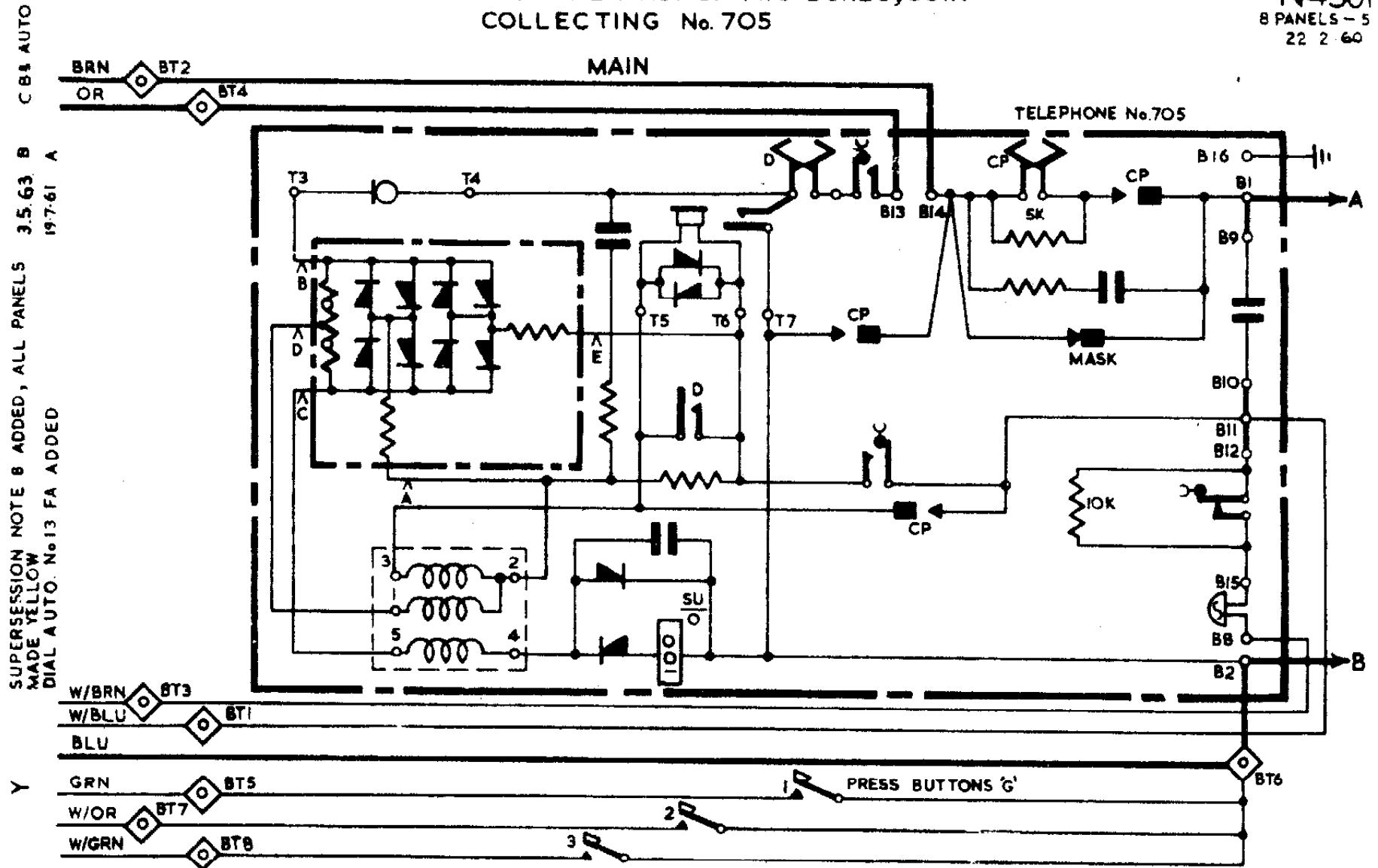
SUPERSESSION NOTE B ADDED, ALL PANELS 3.5.63 B
 MADE YELLOW 19701
 DIAL AUTO. No. 13 FA ADDED

PA:FR
 Y
 BLU
 GRN BT3
 WOR BT2

1
 2
 PRESS BUTTONS G

EXPLANATORY FOR THE FIRST OF TWO BOXES, COIN
COLLECTING No. 705

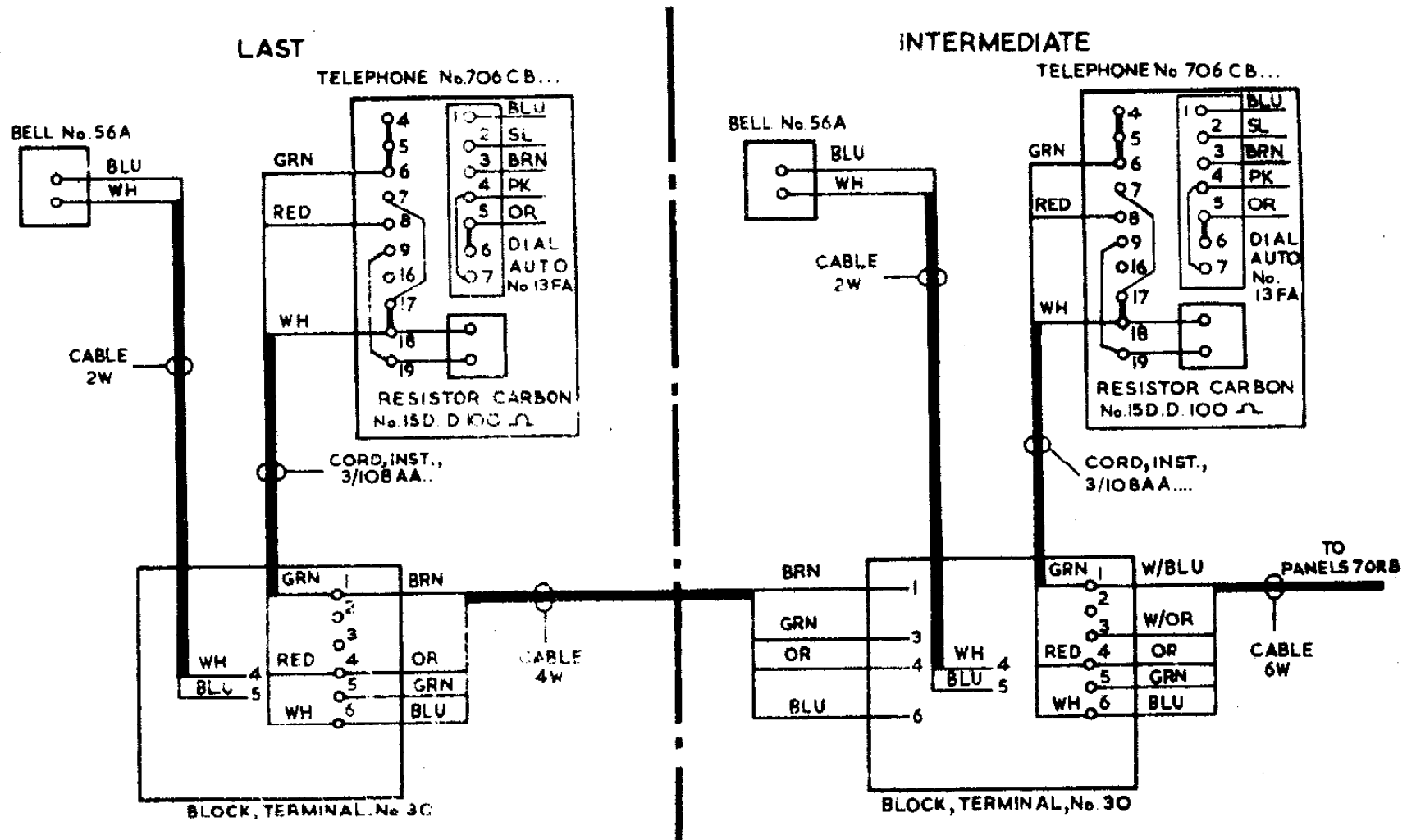
N4561
8 PANELS - 5
22 2 60



N 4561

8 PANELS-6

WIRING OF TELEPHONES No. 706 CB...

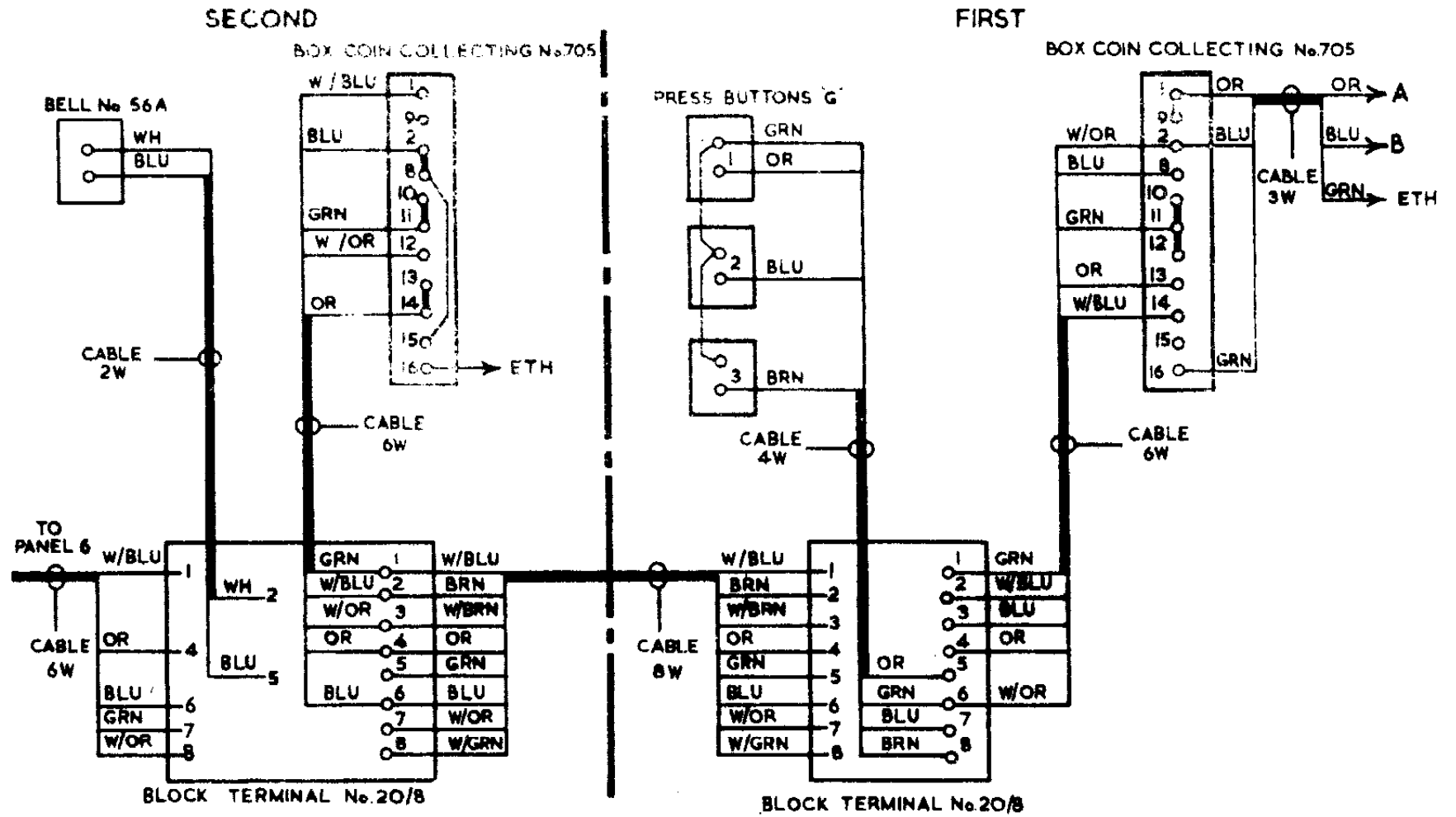


CB & AUTO
 35.63 B
 19761 A
 SUPERSESSION NOTE 8 ADDED, ALL PANELS
 MADE YELLOW
 DIAL AUTO. NO 13 FA ADDED
 Y

WIRING OF BOXES, COIN COLLECTING No. 705

N4561
 8 PANELS-7
 22 2 60

USING TWO BOXES, COIN COLLECTING No. 705



N4561
8 PANELS-8

WIRING FOR ONE BOX, COIN COLLECTING No. 705
FIRST

