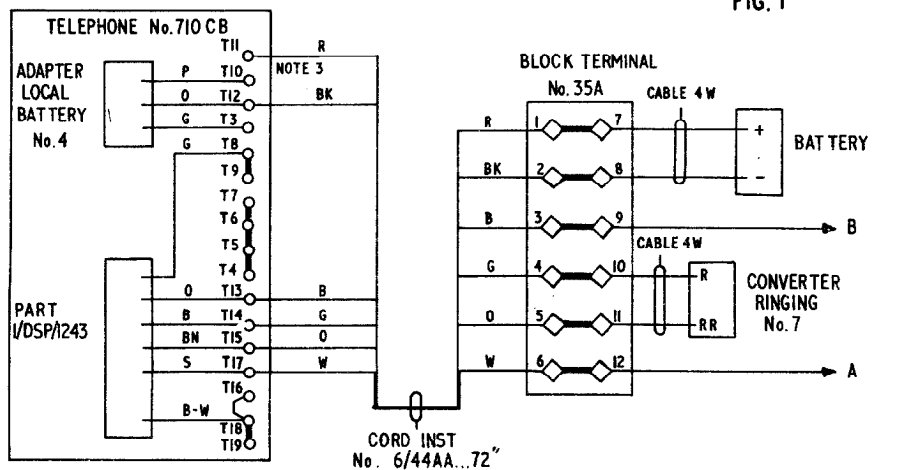


FIG. 1

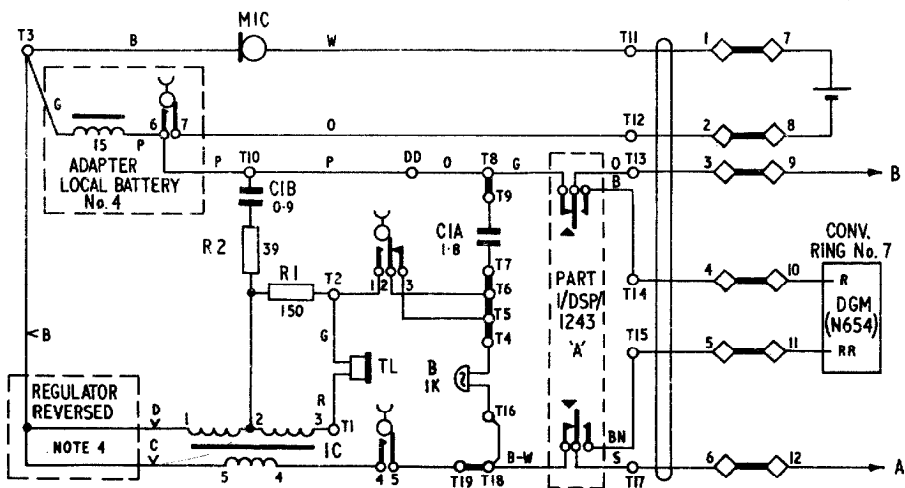


APPARATUS REQUIRED:-

- Telephone No. 710CB
- Cord, Inst No. 6/44AA...72"
- Block, Terminal No. 35A
- Part 1/DSP/1243
- Part 23 or 24/DBU/260 (Part 21/DBU/260 suitably engraved may be used.)
- Adapter, Local Battery No. 4
- Converter, Ringing No. 7
- Cells, Dry, R40 (Note 5)
- Box, Battery No. 3

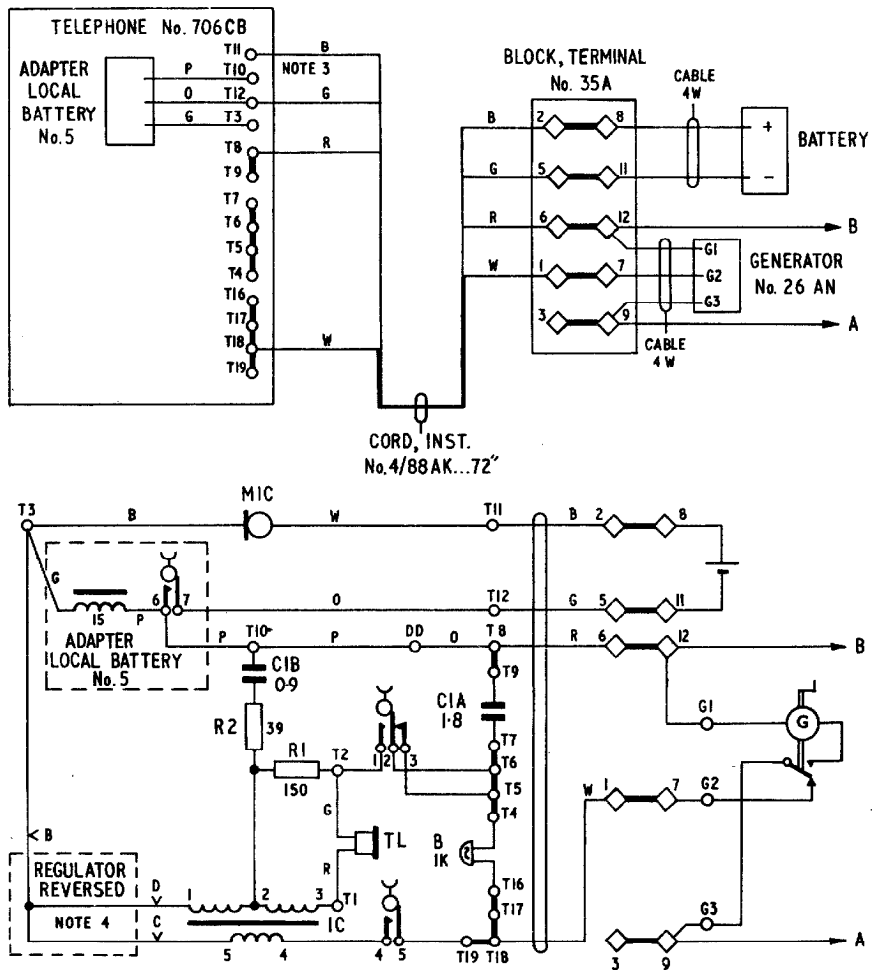
NOTES:-

1. Fig. 1. shows the preferred method and this should be used wherever possible. Fig.2. shows the method to be used when a mains supply is not available.
2. Where a similar telephone is fitted at the distant end, the line connection should be such that the two batteries are connected in series aiding.
3. Transfer white lead of Handset Cord from T10 to T11.
4. Reverse regulator in Jack.
5. 2 Cells, Dry, R40 should usually be provided. An additional cell may be added if required.



P.O. TELECOMMS. HQRS.			
PAPER:- W	ISSUE		
DISTN:- GENERAL	A	NEW FORMAT MINOR AMENDMENTS T.G. SMITH	T D 2-3-1 SECTION MK1.2. SECTION 12-7-73 29-9-69

FIG. 2



- APPARATUS REQUIRED:-  
 Telephone No. 706CB  
 Block, Terminal No. 35A  
 Generator No. 26 AN  
 Adapter, Local Battery No. 5  
 Cells, Dry R40 (Note 5)  
 Box, Battery No. 3