

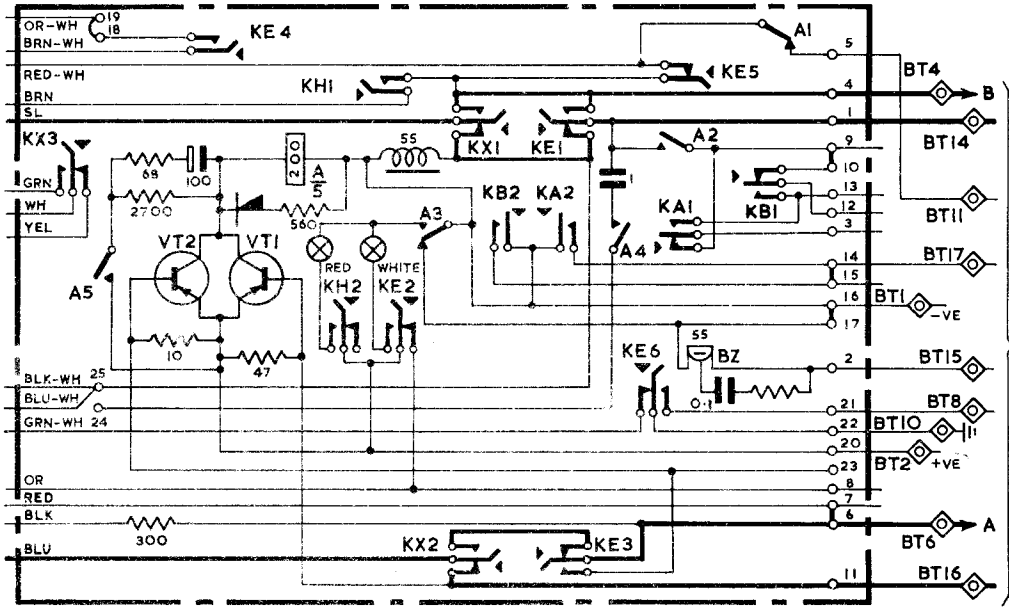
CB & AUTO

KEY CONTACTS OPERATED FOR EACH CONDITION
 SPK. TO EXTN. - NONE SPK. TO EXTN. } -- KH
 SPK. TO EXCH. - KX EXCH. HELD }
 CALL EXTN. - KA OR KB EXTN. TO EXCH. - KE

MAIN

N4549
 5 PANELS-3
 3-11-61

PLAN-SET N625



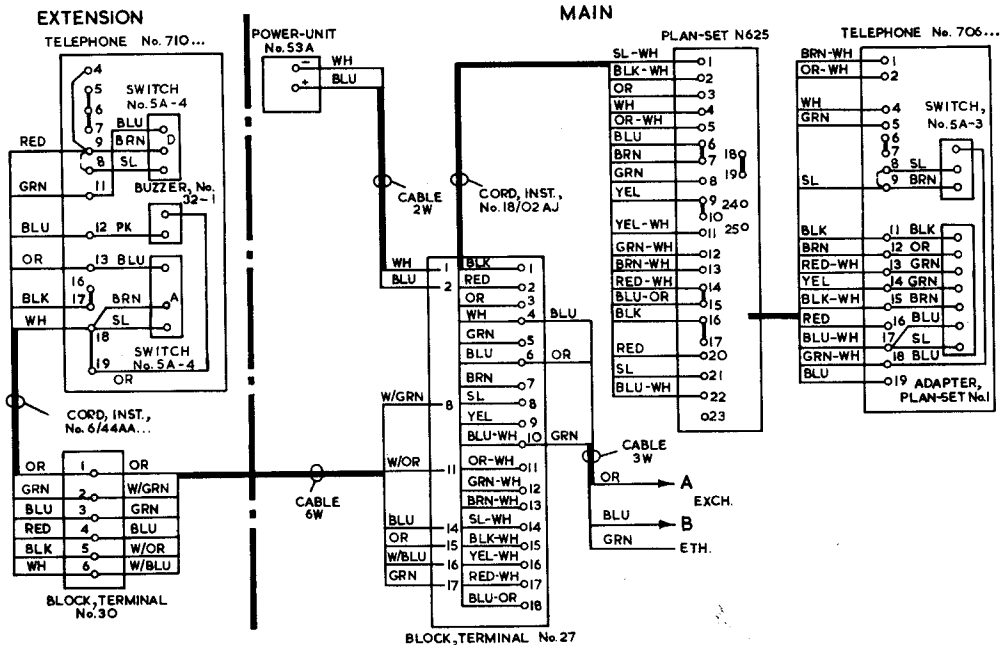
TO EXTN. TELE. PANEL 5

W

N 4549

5 PANELS 4

WIRING



EXTENSION

CB & AUTO
 AVENDT
 W
 PAPER

MAIN
 SEE
 PANEL 3

TELEPHONE No. 710...

