

C.B. AND AUTOMATIC SYSTEMS  
SUBSCRIBERS EXTENSION PLAN I ON 2-WIRE PBXs. WITH RECALL  
USING TELEPHONES No. 706... & No. 710... (INTERNAL ONLY)

N454I  
6 PANELS-1  
22-3-61

NOTES

GENERAL:

1. THE FACILITIES OF PLAN I ARE SHOWN ON DGM.NI424
2. REARRANGE STRAPS ON TELES AND BLOCKS, TERMINAL AS SHOWN
3. BELLS No. 56A COILS TO BE CONNECTED IN SERIES
4. THE EXCH. LINE AND EARTH MAY BE CONNECTED TO BLOCK, TERMINAL AT EXTN. IF MORE CONVENIENT

5. APPARATUS REQUIRED:-

MAIN

WITH THREE EXTNS:-

- (a) TELEPHONE No. 710...
- (b) 1 PART No. 1/DST/836
- (c) 1 PART No. 8/DBU/260
- (d) CORD, INSTRUMENT, No. 9/21AD..."
- (e) BLOCK, TERMINAL, No. 36A
- (f) 1 PART EACH No. 5/6/ & 7/DBU/260
- (g) 4 SWITCHES 5A-4

WITH TWO EXTNS:-

ITEMS (a) TO (e) PLUS:-  
1 PART EACH 5/ AND 6/DBU/260  
3 SWITCHES 5A-4.

WITH ONE EXTN:-

ITEMS (a) TO (c) PLUS:  
1 PART No. 3/DBU/260  
2 SWITCHES 5A-4.  
CORD, INSTRUMENT, No. 6/44A..."

EXTN:-

- (a) TELEPHONE No. 706...
  - (b) SWITCH No. 5A-3
  - (c) PART No. 1/DBU/263
  - (d) BELL No. 56A
  - (e) CORD, INSTRUMENT, No. 4/83 A A..."
  - (f) BLOCK, TERMINAL, No. 36A (FIRST)
  - (g) " " No. 36A (INTERMEDIATE)
  - (h) " " No. 35A (LAST)
- ITEMS (a) TO (f) AND (h)

ITEMS (a) TO (e) AND (h)

CONTINUED ON PANEL 6

CB & AUTO

LF 71x

5.2.64 A

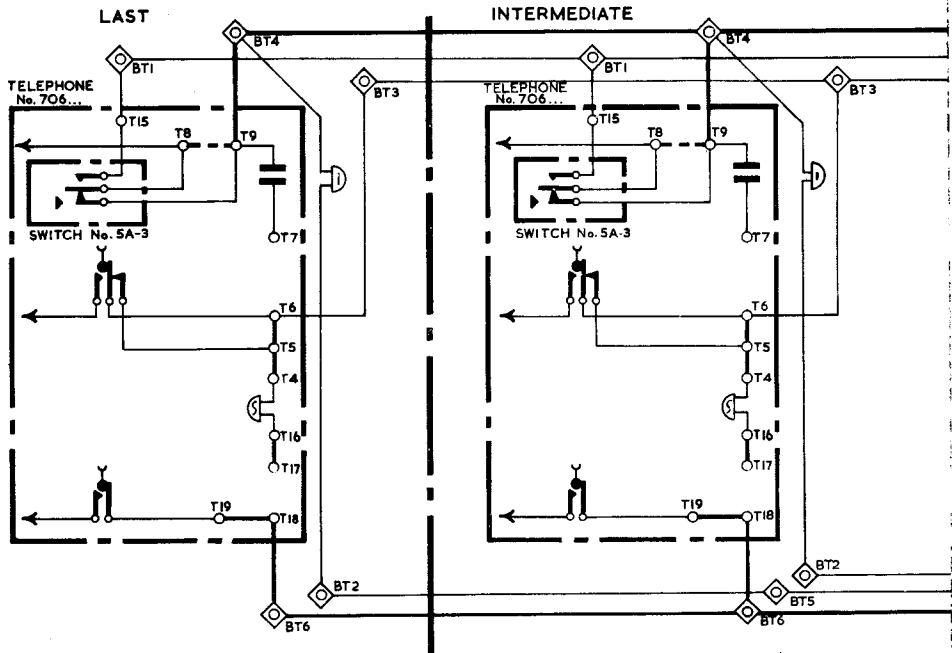
2076

SWITCHES 5A-4 WERE PARTS 108671245. BLS WERE 2076  
1A 30. MINOR. CCT. CHANGES

W

N454I

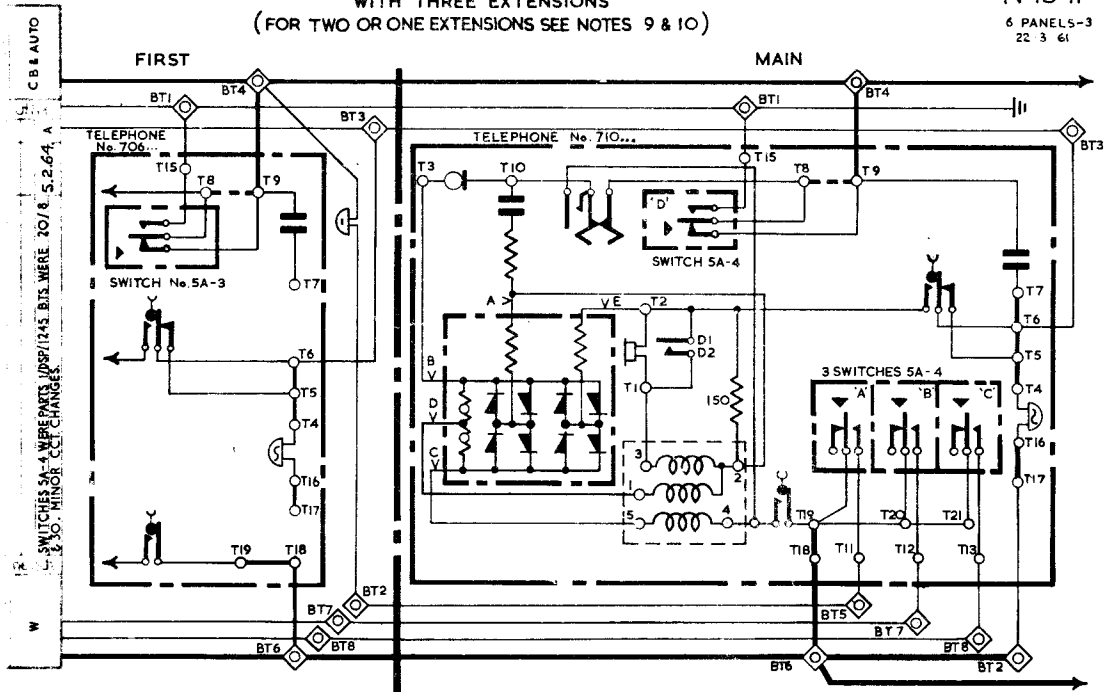
6 PANELS - 2



WITH THREE EXTENSIONS  
(FOR TWO OR ONE EXTENSIONS SEE NOTES 9 & 10)

N454I

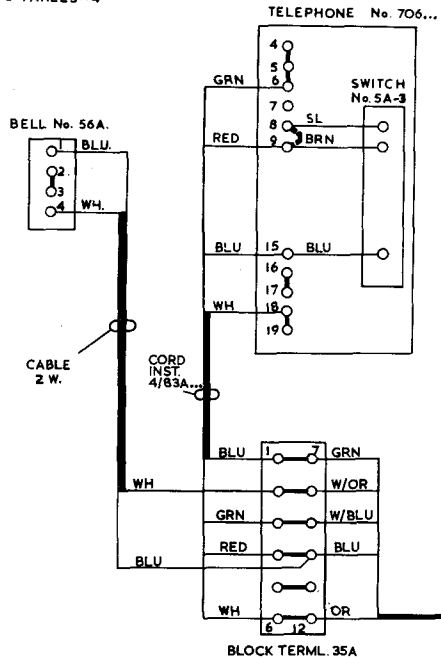
6 PANELS-3  
22 3 61



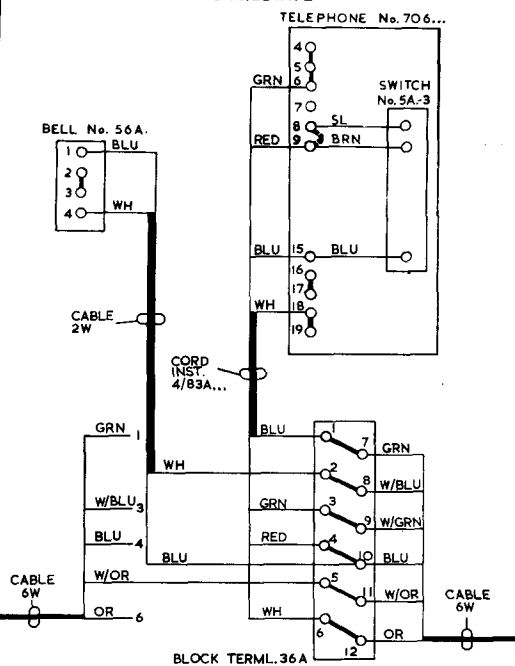
# N 4541

6 PANELS-4

## LAST



## INTERMEDIATE



WITH THREE EXTENSIONS  
(FOR TWO & ONE EXTENSIONS SEE NOTES 9&10)

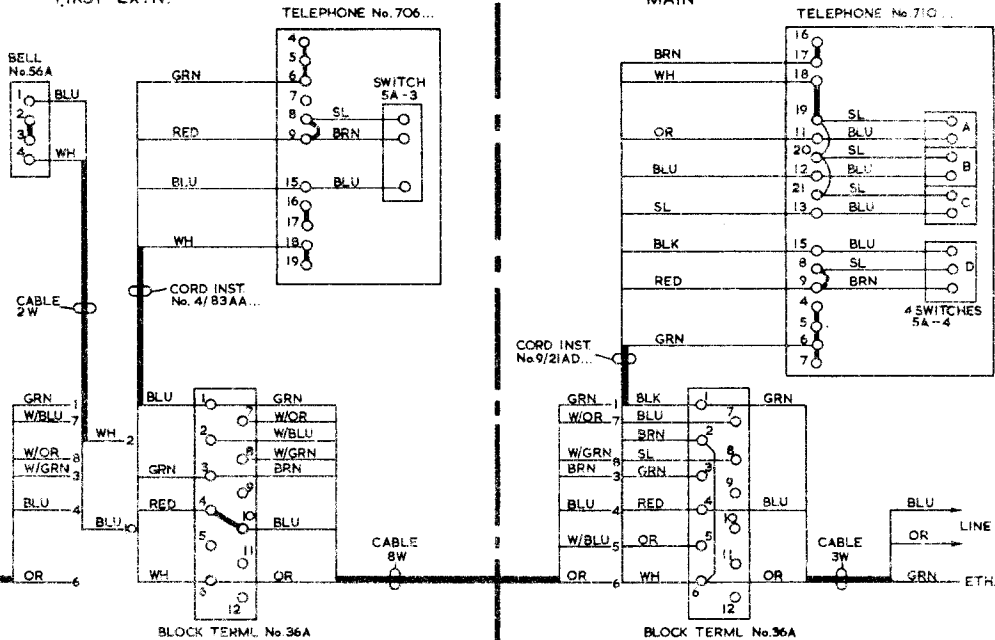
N4541  
6 PANELS-5  
22-3-61

FIRST EXTN.

WIRING

MAIN

CIRCULATION	CB 6 AUTO
	5.2.64 A
S. 101 X	5.2.64 A
	5.2.64 A
SWITCHES 5A-4 WERE PARTS 105&1145. BYS WERE 20/8	
12-10. MINOR COT. CHANGES	
Amend.	
PAPER	W



# N454I

6 PANELS - 6

## NOTES: - CONTINUED FROM PANEL I

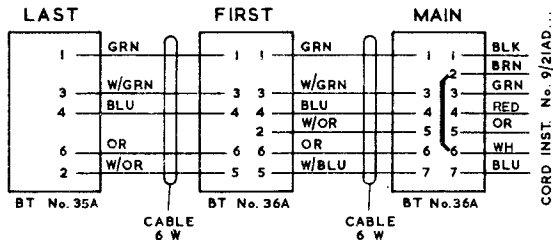
6. WHEN BLOCKS TERMINAL WITH DOUBLE SIDED CONNEXION STRIPS ARE USED THE CORD INSTRUMENT SHOULD BE TERMINATED ON THE UNDERSIDE.  
FIT APPROPRIATE CORD TO MAIN TELE. THE FOLLOWING CONDUCTORS WILL NOT BE REQUIRED, AND THEY SHOULD BE CUT BACK AT BOTH ENDS.: -  

WITH 3 EXTNS.:-	GRN - RED	}	CORD, INST. No. 9/2IAD..."
2 EXTNS.:-	GRN - RED AND SL		

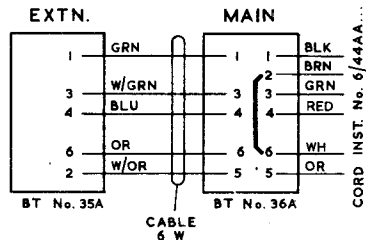
  
 FIT CORDS, INST. No. 4/83AA..." AT EXTNS.
7. AT MAIN TELES. No. 710 FIT SWITCHES 5A - 4 WITH PARTS No. .../DBU/260 FOR EACH EXTN. REQD. IN POSITIONS A TO C IN ORDER: D TO BE THE RECALL POSITION. ADJUST LATCH BRACKETS TO SETTING 3. X&Y LATCHES SHOULD BE AT SETTING 5 (SEE DGM N848.)
8. WHEN EXTN. BELL IS REQD. CONNECT IN PLACE OF STRAP BT2 - BT6 AT MAIN.

### CABLING

9. WITH TWO EXTENSIONS



10. WITH ONE EXTENSION



CORD INST. No. 9/2IAD...

CORD INST. No. 6/44A...