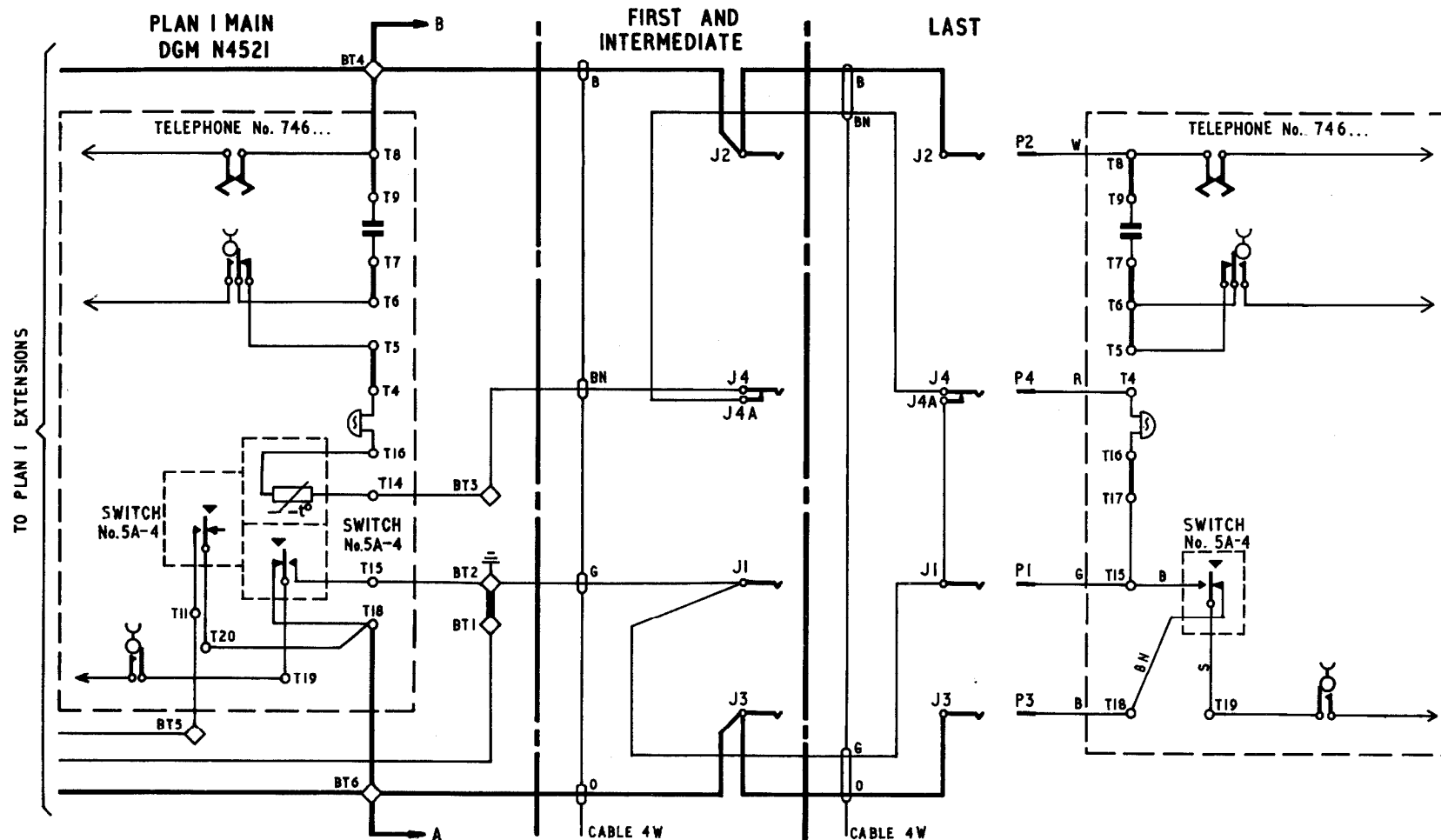


AUTOMATIC SYSTEM
SHARED SERVICE, SEPARATE METERING: PLAN 4 FACILITIES (INTERNAL ONLY) ON EXTENSION PLAN I (MAIN)

USING ONE TELEPHONE No. 746 PLUG No. 420 & JACKS No. 95A



NOTES:-

GENERAL

1 The total number of bells that may be connected in series must not exceed four (two in U.A.X. areas with vibrator ringing)

PLAN I MAIN

2 At the Plan I Main, Strap BT2 - BT3 should be removed. On this diagram the Main is shown with one Plan I Extension. The block terminal numbers for the connexion of the Plan 4 Extensions are the same if more than

one Plan I Extension is provided. Plan I Extensions are connected as shown on Diagram N 4521

PLAN 4 USING ONE TELEPHONE 746

3 Recover Cord, Instrument No. 4/121AT... and Block Terminal No. 52A from Telephone No. 746. Rearrange straps. Fit Switch No. 5A-4. Parts 1/DBU/362, 1/DPL/1022 and 1/DPI/203 (2off). Fit Plug No. 420... with Cord, Instrument No. 4/97AD... connect as shown

4 At last Jack No. 95A connect Strap J1-J4A

USING TWO OR MORE TELEPHONES NO. 746

5 Recover Cords Instrument No. 4/121AT... and Blocks Terminal No. 52A from Telephones No. 746 Rearrange straps. Fit Switches No. 5A-4 and Parts 1/DBU/362, 1/DPL/1022 and 1/DPI/203 (2off). Fit Plugs No. 505... with Cords Instrument No. 5/39AD... Connect as shown

6 At each Jack No. 96A connect Strap J1-J5A. At last Jack No. 96A connect additional Strap J1-J4

7 See Diagram N4700 for add-on items when alternative telephones are used.

P. O. TELECOMMS. HQRS.	ISSUE		
PAPER:-W	B	New format Telephones changed. Note 7 added	TD 2-3-1 9-4-74
	A	Revised form. Colour of cords & plugs deleted as items now available in other colours	19.11.65
DISTN:- CB & AUTO			

USING TWO OR MORE TELEPHONES No. 746, PLUGS No.505 & JACKS No. 96A

