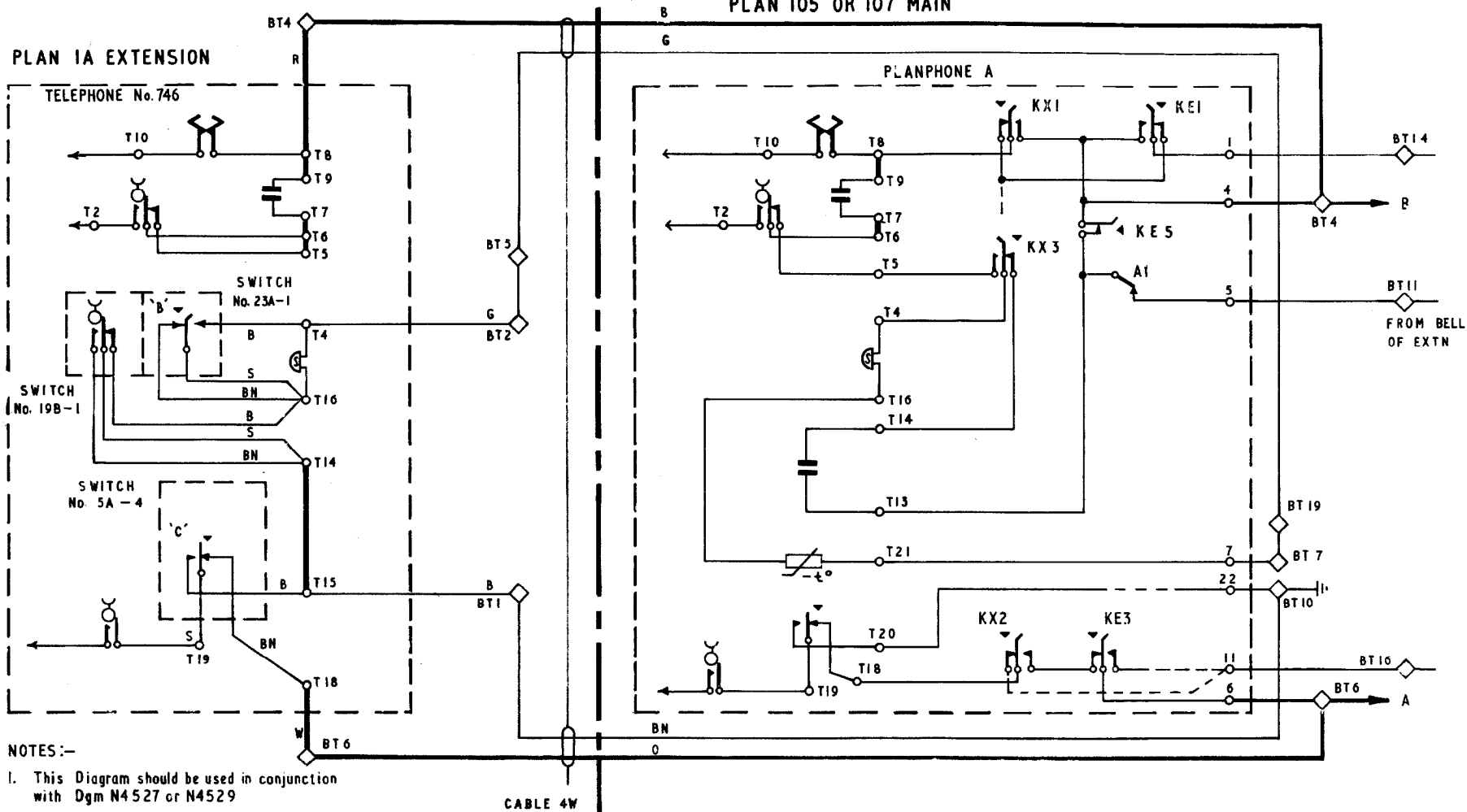


AUTOMATIC SYSTEM
SHARED SERVICE (SEPARATE METERING) EXTENSION PLAN IA (INTERNAL ONLY)
ON EXCHANGE LINE OF EXTENSION PLANS 105 & 107 USING TELEPHONE No.746
PLAN 105 OR 107 MAIN

N 4536
 PAGE 1
 ISSUE B



NOTES:-

1. This Diagram should be used in conjunction with Dgm N4527 or N4529
2. Apparatus required:-
 Telephone No 746
 Switch No 5A-4
 Switch No 23A-1
 Part 3/DBU/363
 Part 2/DBU/363
 Switch No 19B-1
 2 Parts 1/DPI/203
 Part 1/DPL/1022
 Block Terminal No.35A
3. Only one Plan IA Extension may be provided. The exchange line may be connected at the Plan IA Extension if more convenient.
4. Fit Switch No. 23A-1 into position 'B', Switch No. 5A-4 into position 'C' of the Telephone No. 746. Fit Part 2/DBU/363 (ON/OFF) in position 'B'. Fit Part 3/DBU/363 (Exch) in position 'C'. Fit Switch No. 19B-1, and Block Terminal No. 35A connect as shown.
5. Plans 105 & 107 are connected as shown on Dgm N4527 or N4529. Remove strap from Planphone A Terminals 7-22 or BT7-BT10 respectively. Connect Strap BT7-BT19
6. An extension bell may be connected in place of Strap BT7-BT19 at Main or in place of Strap BT2 - BT5 at Plan IA Extension
7. See Dgm N4700 for add-on items when alternative telephones are used

P.O. TELECOMMS. HQRS.			
PAPER:-W DISTN. CB & AUTO	ISSUE		
	B	New format. Tele changed, note 7 added	DATE TD 7.1.1 16-6-75
	A	Revised form Rectifiers-element No.205 & BT 35A added. Circulation corrected. Title amended	27.10.65