

**AUTOMATIC SYSTEM**  
**SHARED SERVICE (SEPARATE METERING)**  
**EXTENSION PLAN I USING TELEPHONES No.746 & No.740 (INTERNAL ONLY)**

**NOTES:-**

**GENERAL**

1. The facilities of Plan 1 are shown on Dgm. N1424.
2. Rearrange Straps on Telephones and Blocks Terminal as shown.
3. Bells No. 56A, Coils to be connected in series.
4. The Exch Line may be connected to BT4 & BT6 at Extension, if more convenient. The connexions shown are for 'X' subscribers. For 'Y' subscribers reverse 'A' & 'B' Lines at BT4 & BT6.

**APPARATUS REQUIRED**

**5. WITH THREE EXTENSIONS:**

MAIN	EXTN
(a) Telephone No. 740	(a) Telephone No. 746
(b) Part 2/DST/836	(b) Switch No. 5A-4
(c) Thermistor No. 1A-1	(c) Part 1/DBU/362
(d) Part 2/DBU/372	(d) Bell No. 56A
(e) Block Terminal No. 36B	(e) Block Terminal No. 36B (FIRST & INTER)
(f) Cord Inst. No. 9/21 AD...	(f) Block Terminal No. 35A (LAST)
(g) 4 Switches No. 5A-4	(g) Part 1/DPL/1022
(h) 1 Part each 5/, 6/, & 7/DBU/372	(h) 2 Parts 1/DPI/203

**6. WITH TWO EXTENSIONS:**

Items (a) - (e) above plus:

- 1 Cord Inst. No. 6/61 AT...
- 3 Switches No. 5A-4
- 1 Part each 5/, & 6/DBU/372

**7. WITH ONE EXTENSION:**

Items (b), (c) & (e) above plus:

- Telephone No. 746
- 1 Part each 3/, & 5/DBU/363

Items (a) - (h) above

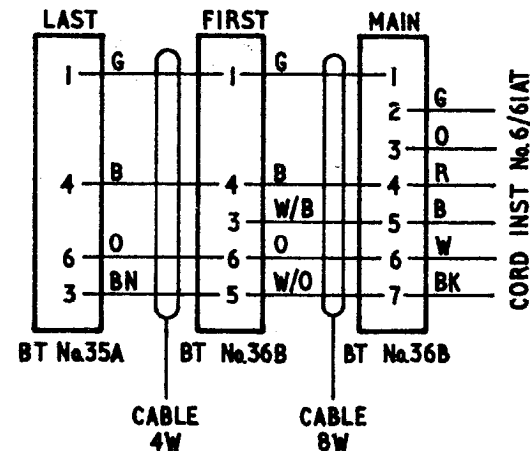
Items (a) - (h) above

- 2 Parts 1/DPL/1022
- 2 Parts 1/DPI/203
- 2 Switches No. 5A-4
- Cord Inst. No. 6/61 AT...

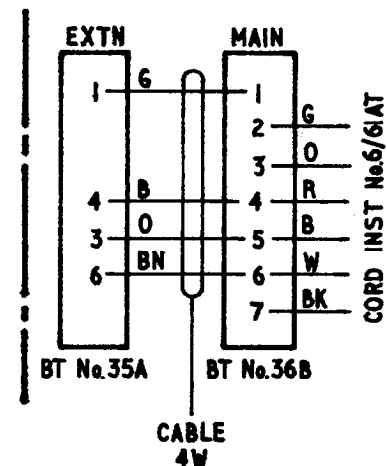
8. Recover Cord Inst. from Main Tele and fit appropriate Cord.
9. At Main using Teles No. 740 fit Switch No. 5A-4 with Part 2/DBU/372 in position 'D' and Switches No. 5A-4 with Parts .../DBU/372 for each Extension required in positions 'A' to 'C' in order. Adjust Latch Brackets 'A' to 'D' to setting 3. 'X' & 'Y' Latches should be a setting 5 (See Dgm N848). At Main using Tele No. 746 fit Switches No. 5A-4 with parts 5 & 3/DBU/363 in positions B & C respectively.
10. When Extension Bell is required connect in place of Strap BT2-BT3 at Main.
11. In UAX areas with vibrator ringing a Valve Electronic CV8790 should be connected between T14 & T17 at the Main Tele.

**CABLING:-**

**12. WITH TWO EXTNS:-**



**13. WITH ONE EXTN:-**



14. See Dgm. N4700 for "Add-on" items when alternative Telephones are used.

.ECOMMS IS.					
VER:- W	ISSUE	6	NEW FORMAT, TELES CHANGED, NOTES 8 & 9 REWRITTEN NOTE 14 ADDED	TD7.1.1	3-9-74
STN:- & AUTO	7	B	REVISED FORM, TITLE AMENDED		25.10.65

EXPLANATORY AND WIRING FOR THREE EXTENSIONS  
LAST

