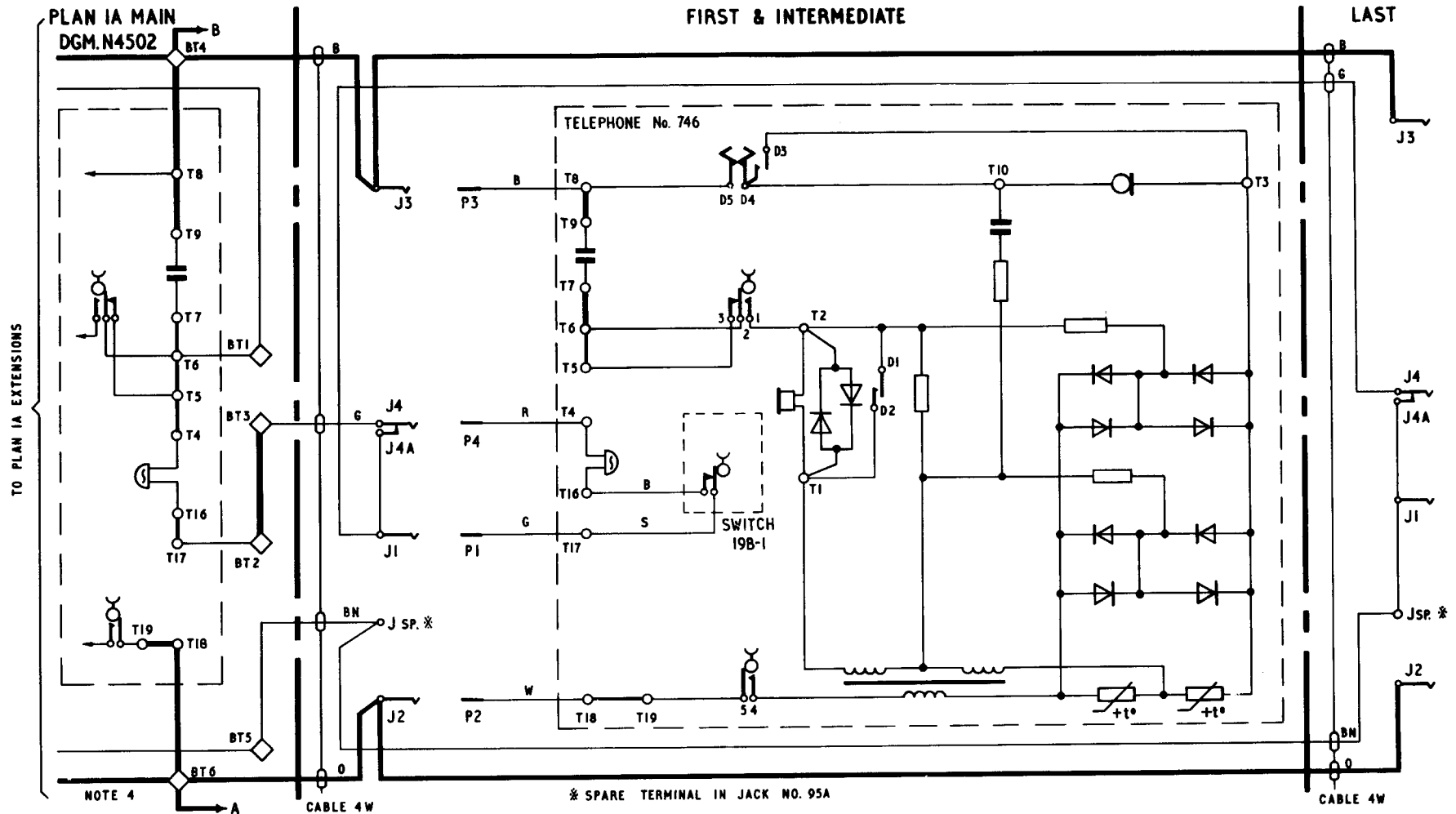


AUTOMATIC SYSTEMS

N4520
ISSUE B

PLAN 4 FACILITIES (INTERNAL ONLY) ON EXTENSION PLAN IA MAIN USING TELEPHONE No.746 PLUG No.420 & JACKS No. 95A



NOTES :-

GENERAL

1. More than one portable telephone may be provided but the total number of bells must not exceed six on exclusive lines, four on shared service lines or two on lines in U.A.X. areas with vibrator ringing.

2. See Dgm N4700 for add-on items when alternative telephones are used.

PLAN IA MAIN

3. Extension Plan IA should be connected as on Dgm N4502. At the Main Strap BT2-BT5 should be removed and Strap BT2-BT3 inserted.

4. If only one fixed telephone is required: connect that instrument as Main of Plan IA, as shown, and strap BT5 and BT6.

PLAN 4

5. Remove Cord Instrument No. 4/121AT... and Block Terminal No. 52A from Telephone No. 746... Rearrange straps, fit Switch 19B-1 and Plug No. 420 Grey with Cord Instrument No. 4/97AD... Grey...

6. At each Jack No. 95A connect Strap J4A-J1.

7. At last Jack No. 95A connect additional Strap J1-JSP

8. An extension bell may be connected in place of Strap BT2 - BT3 at Plan IA Main.

P.O. TELECOMMS. HQRS.	ISSUE			
PAPER :- W	ISSUE	B	New format. Notes rewritten. Tele changed	TO 2.3.1 9-4-74
		A	Revised form. Note1 clarified. Title amended.	2.12.65
DISTN. CB & AUTO				